












Index

	Company profile	2-7
	Linear Junction boxes and Pushbutton boxes	8-15
	Sidecom Support Arm Panel Systems	16-23
	Smart Enclosures	24-47
	Logex Console workstations	48-57
	Compact Compact cabinets	58-73
	Armod Modular cabinets	74-97
	Atex	98-117
	AirFlex Air conditioners and fans	118-131
	Accessories and spare parts	132-139

FLEXTEC is not responsible for errors or inaccuracies in the catalogue. Flextec reserves the right to make technical changes and / or updates to our products without prior notice. The contractual relations are regulated by our general sales conditions.



Company History started in the 1980's as a manufacturer of semifinished products for various high-end sectors and, since 2003, has focused its business on the manufacturing of stainless steel enclosures for electrical panel boards.

Decades of solid experience has assured real professionalism and reliability in reference markets. Highly automated production lines and processes are integrated in a lean manufacturing approach.

All Company's functions are oriented to serve end customers needs and requirements . Engineering process, provided by IT tools and systems allows a prompt and full customization of the products.

We trust that reliability, professionalism, efficiency and punctuality represent the mission of a dynamic company, as part of a continuous improvement commitment.



Certificates



IMQ **CA02.05921**

Certificato di approvazione
Approval certificate

IMQ, ente di certificazione accreditato, autorizzato la ditta

FLEXTEC SRL
VIA VILLALTA 1
33082 AZZANO DECIMO

all'uso del marchio

Il presente certificato è soggetto alle condizioni indicate nel Regolamento IMQ. L'assegnazione del marchio IMQ è relativa ai prodotti descritti nel allegato al presente certificato.

per i seguenti prodotti
Involucri vuoti per apparecchiature asiemate di protezione e manovra per bassa tensione (Serie ARMOD)

2015-12-14

UL

MR. VINCENZO LEPERIERE
ELECTEC S.p.A.
VIA VILLALTA, 1
33082 AZZANO DECIMO (PN) ITALY

Date: 2012/09/05
Subscription: 10003143
Factory/Site: 051412
File No: 030202
Product No: 1298042312

CERTIFICATE OF COMPLIANCE

Certificate Number: 20120905-E304202
Report Reference: E304202-20070518
Issue Date: 2012-SEPTEMBER-05

This is to certify that representative samples of the product as according to the current UL requirements.

Industrial Control Panel Enclosures:
Stainless steel enclosure - Type 1, 12, 4, 4X Series:
Linear FD, FP
Smart FQ, FQL, FQC, FQD, FQM, FQN
Compact FC, FCV, FCC, FCE
Armod FR, FRV, FRC, FRE, FRM, FRP, FRZ

Inspection at your plant will be conducted in CONFER 11042, UL 2219A, UL 2219B, UL 2219C, UL 2219D, UL 2219E, UL 2219F, UL 2219G, UL 2219H, UL 2219I, UL 2219J, UL 2219K, UL 2219L, UL 2219M, UL 2219N, UL 2219O, UL 2219P, UL 2219Q, UL 2219R, UL 2219S, UL 2219T, UL 2219U, UL 2219V, UL 2219W, UL 2219X, UL 2219Y, UL 2219Z.

TUV NORD

CERTIFICATE

Management systems as per
ISO 9001 : 2015

In accordance with TUV NORD CERT procedures, it is hereby stated that

FLEXTEC S.r.l.
Via Villalta, 1
33082 Azzano Decimo (PN)
Italy

Design, manufacture and sale of light carpentry in stainless steel.

IAF DAKS

TUV NORD

(1) EU-Type-Examination Certificate

Equipment and protective systems intended for use in potentially explosive atmospheres, Directive 2014/34/EU

(2) Certificate Number: TÜV CY 17 ATEX 0205903 U

(3) of the equipment: Empty enclosure Type: FCS- COMPACT Series

(4) of the manufacturer: FLEXTEC S.r.l.

(5) Via Villalta, 1

(6) Address: 33082 Azzano Decimo (PN) - ITALY

(7) Order number: 0205903

(8) Date of issue: 2017-07-05

(9) The design of this equipment or protective system and any accessories specified in the schedule to this EU-Type-Examination Certificate referred to.

(10) TÜV CYPRUS Ltd, notified body No. 2281 in accordance with Article 2014/34/EU of February 26, 2014, certifies that this equipment or protective system is found to comply with the Essential Health and Safety Requirements for construction of equipment and protective systems intended for use in potentially explosive atmospheres given in Annex II to the Directive. The examination atmosphere referred to in the certificate is: IIB, II, T4, T5, T6.

(11) Compliance with the Essential Health and Safety Requirements has been confirmed by the examination.

(12) The marking of this equipment or protective system must include the following:

Ex II 2G Ex eb IIC Db
IP 50 Ex II 2G Ex eb IIC Db

TÜV CYPRUS Ltd, notified body No. 2281 in accordance with Article 2014/34/EU of February 26, 2014, certifies that this equipment or protective system is found to comply with the Essential Health and Safety Requirements for construction of equipment and protective systems intended for use in potentially explosive atmospheres given in Annex II to the Directive. The examination atmosphere referred to in the certificate is: IIB, II, T4, T5, T6.

IMQ

IMQ S.p.A.
Via Villalta, 1
33082 Azzano Decimo (PN)

IMQ S.p.A.
Funzione Prodotto
Area Certificazioni - Meriti Certificati
Specialisti di Area
Augusto Corbelli

Oggetto: Certificati di approvazione n. CA02 0575 - CA02 0576

In relazione alla Vostra domanda del 10-02-2013, siamo lieti di comunicarVi che i prodotti da segnalare sono:

Involucri vuoti per apparecchiature asiemate di protezione e manovra per bassa tensione - Serie LINEAR - SMART

sono risultati conformi alle relative norme di riferimento, come dimostrato dai Certificati di approvazione allegati.

Ancora complimentandoci per l'alto livello delle Vostre politiche e frangimenti per aree sicure i nostri servizi, Vi assicuriamo che i Certificati allegati hanno validità di lista in caso di contestazione sui prodotti certificati.

Dati del sito:
IMQ S.p.A.
Funzione Prodotto
Area Certificazioni - Meriti Certificati
Specialisti di Area
Augusto Corbelli

CE **Ex**

ACCREZIA

Certificato / Certificate

Direttiva 94/19/CE
Certificato di Esame CE del Tipo

Directive 94/19/CE
EC-type Examination Certificate

Numero del Certificato di Esame CE del Tipo / EC-type Examination Certificate number

IMQ 14 ATEX 017 U

Componente / Component	Tip / Type - Serie / Series
Custodie vuote / Empty Enclosures	FQX ... / FQS ...
Costruttore / Manufacturer	Indirizzo / Address
FLEXTEC S.r.l. Via Villalta, 1 - 33082 Azzano Decimo (PN)	

EN 60079-0:2012, EN 60079-7:2007, EN 60079-11:2009

IMQ S.p.A. Funzione Prodotto Area Certificazioni - Meriti Certificati Specialisti di Area Augusto Corbelli



STAINLESS STEEL AISI 304L (EN 1.4307) AND AISI 316L (EN 1.4404).

304L and 316L, where “L” stands for Low Carbon, having a lower carbon content this improves the resistance to corrosion when parts are subject to welding.

CHARACTERISTICS OF AUSTENITIC STAINLESS STEELS

It is the main group of stainless steels. They have anti-corrosion properties ranging from good to excellent, they maintain good mechanical properties at low temperatures, good formability and weldability. Unlike all other stainless steels, they are not ferromagnetic, although, in finished products, a certain magnetism may appear after deformations due to the transformation of a certain amount of austenite into martensite. Austenitic Cr-Ni-Mo (Aisi 316) steels, compared to Aisi 304, improves the resistance to corrosion thanks to the addition of molybdenum.

RESISTANCE AND SUMMARY TABLE APPLICATION		
	AISI 304L	AISI316L
Shock resistance	high	high
Corrosion resistance	excellent	excellent
UV resistance	excellent	excellent
Rain resistance	high	high
Acid resistance		very high
Industrial applications	yes	yes
Food applications	yes	yes
Offshore applications		very good
Paper industry applications		Very good

THICKNESS: FROM 8/10 TO 40/10

TYPE OF SEALS

Using state of the art dispensing machines , Flextec provides two types of seals :

- **POLYURETHANE** (standard): withstanding continuous temperatures of -40 °C + 80 °C
- **SILICONE**: (upon request): withstanding continuous temperature of -50 °C + 200 °C

The above can match all the needs requested by customers. A tight control of all the procurement stages (starting from the specifications) of the raw materials and the relative components, is continuously provided; being the above a key factor for the quality of the final product. All this in order to assure and guarantee the final customer about the proper quality control alongside all the production process.



GENERAL TECHNICAL CHARACTERISTICS OF THE PRODUCTS:

MATERIAL Aisi 304L stainless steel; as option Aisi 316L

MOUNTING PLATE as standard (except for Linear boxes and push-button boxes) in FE / ZN; as option in Aisi 304L or Aisi 316L.

FINISHING Scotch-brite for both Aisi 304L and Aisi 316L. On request epoxy painting process is available with various RAL colors, both smooth and embossed. As option electropolishing is available (passivation according to ASTM B912 / 02).

SEALS as standard polyurethane [-40 ° C + 80 ° C continuously], silicone for IP68 junction boxes range. As option, silicone [-50 ° C + 200 ° C continuously] for all available ranges.

LATCH/LOCK furnished with 3mm double-bit insert Zama chrome plated for all Aisi 304L products range. Aisi 304L for all Aisi316L products range belonging to Smart and Sidecom Series (boxes and support arm system). On request wing locks with key, lockable wing locks and compression quarter-turn type closures. On Compact and Armod series (cabinets) external system type with multi point locking system mechanism equipped with a polyamide swing handle with 3 mm double-bit insert. On request it is possible to supply stainless steel latches and other types of handles.

TRANSPARENT DOORS WITH 4 MM POLYCARBONATE LIGHTS for the whole Smart range. In 3 + 3 mm safety multilayer glass for the Compact and Armod range.

GROUNDING is provided as standard, including earthing pins, nuts, washers and labels.

SAFETY cutting edges are fold down for all the parts of the enclosures such as covers, doors, sides and mounting frames.

DRILLING holes can be provided on all products , according to the customer's drawing and needs.

TECHNICAL DOCUMENTATION files are available on formats such as Step, Dwg, Dxf, Pdf , so all the features of the products can be properly verified.

Note: special products are developed only after receiving the order and the files will be forwarded to the customer for approval.

PROCESS AND PRODUCT CERTIFICATIONS

Company certified according to ISO 9001: 2015 IMQ Product Certification

UL certification

Note: UL certification must be requested at the time of the order. There is the possibility to have UL certification for products that are not included in the dimensions mentioned in the catalogue.

Atex certification

Note: Atex certification is foreseen only for products range specifically mentioned in the catalogue.

IP degrees of protection



Reference:
IEC 529 CEI 70-1 UTE C20-010 DIN 40050

Reference:
UTE C20-010 EN 50014

1st no. Protection against solid bodies			2nd no. Protection against liquids			3rd no. Protection against liquids		
0		Not protected .	0		Not protected	0		Not protected
1		Protected against solid bodies larger than 50 mm.	1		Protected against vertical drops of water droplets.	1		Impact resistance of a weight of 150 g falling from 15 cm.
2		Protected against solid bodies larger than 12.5 mm.	2		Protected against falling water drops with a maximum inclination of 15 °.	2		Impact resistance of a weight of 150 g falling from 25 cm.
3		Protected against solid bodies larger than 2.5 mm.	3		Protected against rain..	3		Impact resistance of a weight of 250 g falling from 20 cm.
4		Protected against solid bodies larger than 1 mm.	4		Protected against splashing water.	4		
5		Protected against dust.	5		Protected against water jets.	5		Impact resistance of a weight of 500 g falling from 40 cm.
6		Totally protected against dust.	6		Protected against water jets.	6		
7			7		Protected against the effects of diving.	7		Impact resistance of a weight of 1.5 kg falling from 40 cm.
8			8		Protected against the effects of submersion.	8		
9			9			9		Impact resistance of a weight of 5 kg falling from 40 cm.

Protections according Nema



Rif. NEMA Pub. No. IC 1 Industrial control and system

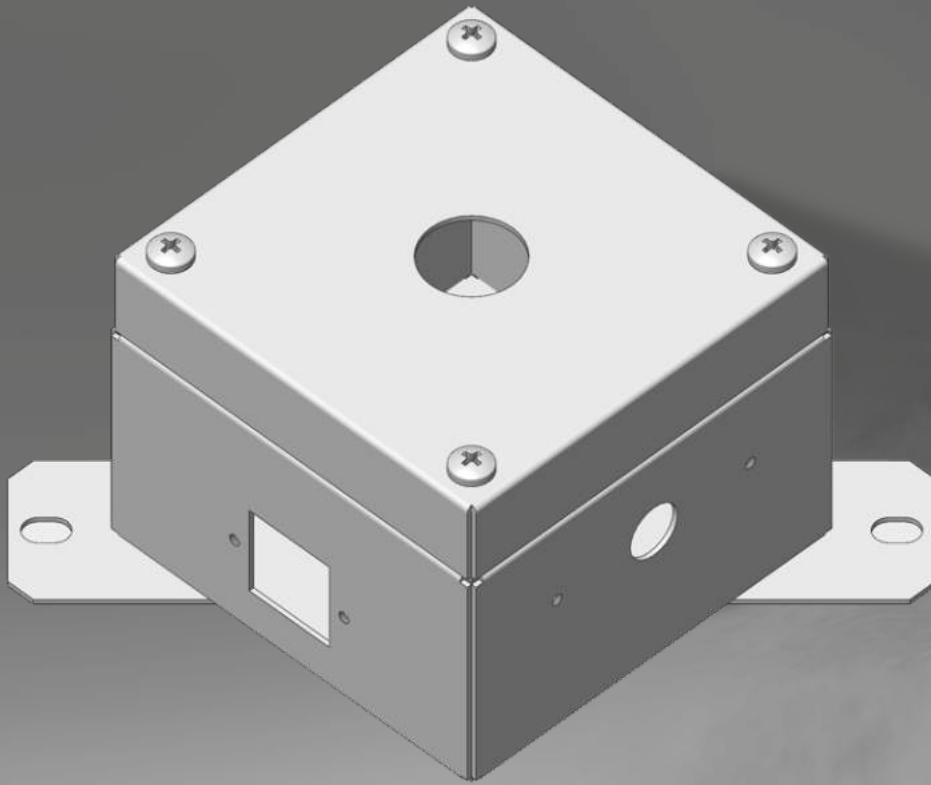
Rif. NEMA Pub. No. IS 1.1 Enclosures for industrial control and systems

TYPE 1	general use	A Type 1 case has the primary purpose of preventing accidental contact with the equipment enclosed in it; serves as protection against dust and slight indirect sprays but is not dust-proof; it is suitable for general indoor use where it is not exposed to abnormal service conditions.
TYPE 2	Anti dripping	A type 2 enclosure has the primary purpose of preventing accidental contact with the enclosed devices and is also constructed so as to exclude the penetration of moisture and dirt; it is suitable for use in environments where condensation is plentiful such as cold rooms and laundries.
TYPE 3	Weather-proof	A Type 3 case is designed to provide adequate protection against a specific type of weather; it is suitable for outdoor use; it is suitable for use on docks, canal locks and construction sites, underground tunnels and tunnels.
TYPE 4	water-proof	A Type 4 case is designed to pass the test described in the Standard; it is suitable for outdoor use on docks and in dairies, breweries, etc...
TYPE 5	dust-proof	Type 5 case has gaskets or their equivalent to prevent dust from entering; it is suitable for use in steelworks, cement plants and other environments where it is appropriate to exclude dust.
TYPE 6	Submarine	Type 6 case is made in accordance with the requirements of article IC 1-1.144. Submarine; it is suitable for use in environments where it is subjected to diving such as in quarries, mines, sewers. The construction details of the same will depend on the specific conditions of pressure and time.
TYPE 7 (A-B-C-D)	dangerous places Class I Air brea	Type 7 enclosures are manufactured in compliance with the current requirements of the NEC for Class I hazardous locations. In this type of equipment the interruption of circuits takes place in the air. The letter and the letters following the type number indicate the group or group of atmospheres for which the enclosure has been designed. The designation is incomplete without a suffix of one or more letters.
TYPE 8 (A-B-C-D)	dangerous places Class I Immersed in oil	Type 8 enclosures are manufactured in accordance with current NEC regulations for Class I hazardous locations. The equipment is immersed in oil. The letter or letters following the type indicate the group or groups of atmospheres for which the housing was designed. The designation is incomplete without the suffix of one or more letters.
TYPE 9	Dangerous places Class II	Type 9 enclosures are manufactured in compliance with the current requirements of the NEC for Class II hazardous locations. The letter or letters following the type indicate the group or groups of atmospheres for which the housing was designed. The designation is incomplete without the suffix of one or more letters.
TYPE 10	explosion-proof	A Type case is made in compliance with the current requirements of the U.S. Bureau of Mines; it is suitable for use in grisutose mines.
TYPE 11	Resistant to acids and to fumes immersed in oil	A Type 11 case involves immersing the equipment in oil so as to make it suitable for use in environments where acid or corrosive fumes are present; it is suitable for indoor use where the equipment is subject to the exhalation of acids to corrosive fumes such as in chemical plants, plating laboratories, sewage effluent treatment plants, etc.
TYPE 12	Industrial applications	A Type 12 case is designed for use in those industries where the presentation of materials such as dust, filaments, fibers and chips, oil infiltration or coolants is excluded.

NOTE:
NEMA publishes standards in the electric field both on its own and in collaboration with other organizations; we deem it useful to include the abbreviations and their meaning below:

ANSI (formerly ASA, USASI) = American National Standard Institute
 EEI = Edison Electric Institute
 EIA = Electronic Industries Association
 FEMA = Foundry Equipment Manufactures Association

IEEE (formerly AIEE) = Institute of Electrical and Electronics Association
 ICEA (formerly IPCEA) = Institute Cable Engineers Association
 NEMA = National Electrical Manufactures Association
 NFPA = National Fire Protection Association





LINEAR



FD - JUNCTION BOXES IP66 E IP68

Ideal solution for installation in aggressive settings such as in the food, chemical and pharmaceutical industry or for applications in outdoor environments. **Upon request it is possible to supply the FD boxes tailormade according to customer's needs.**



FP – PUSHBUTTON BOXES IP66



DEGREE OF PROTECTION AND STANDARD REFERENCES

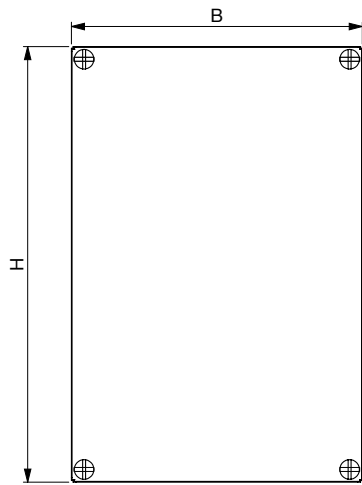
IP66 IK10 (FDS WIP68) / NEMA TYPE 1, 12, 4, 4X

89/392/EEC

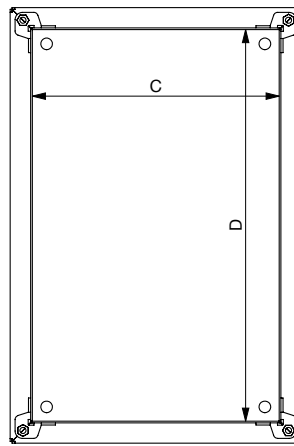
EN 62208 : 2011

UL 508 A / NEMA STANDARD PUBLICATION 250

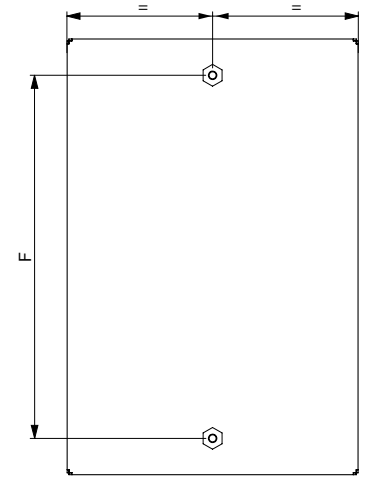
EN 60529/09.200 / EN 50102/05.96



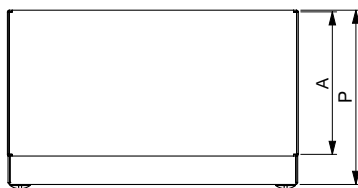
Front view



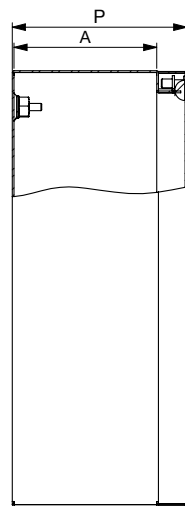
Front view without lid



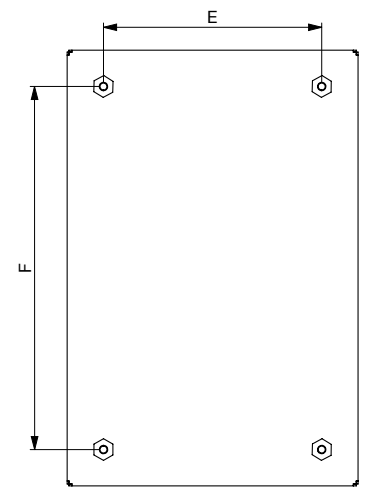
Rear view



View from top



Side view

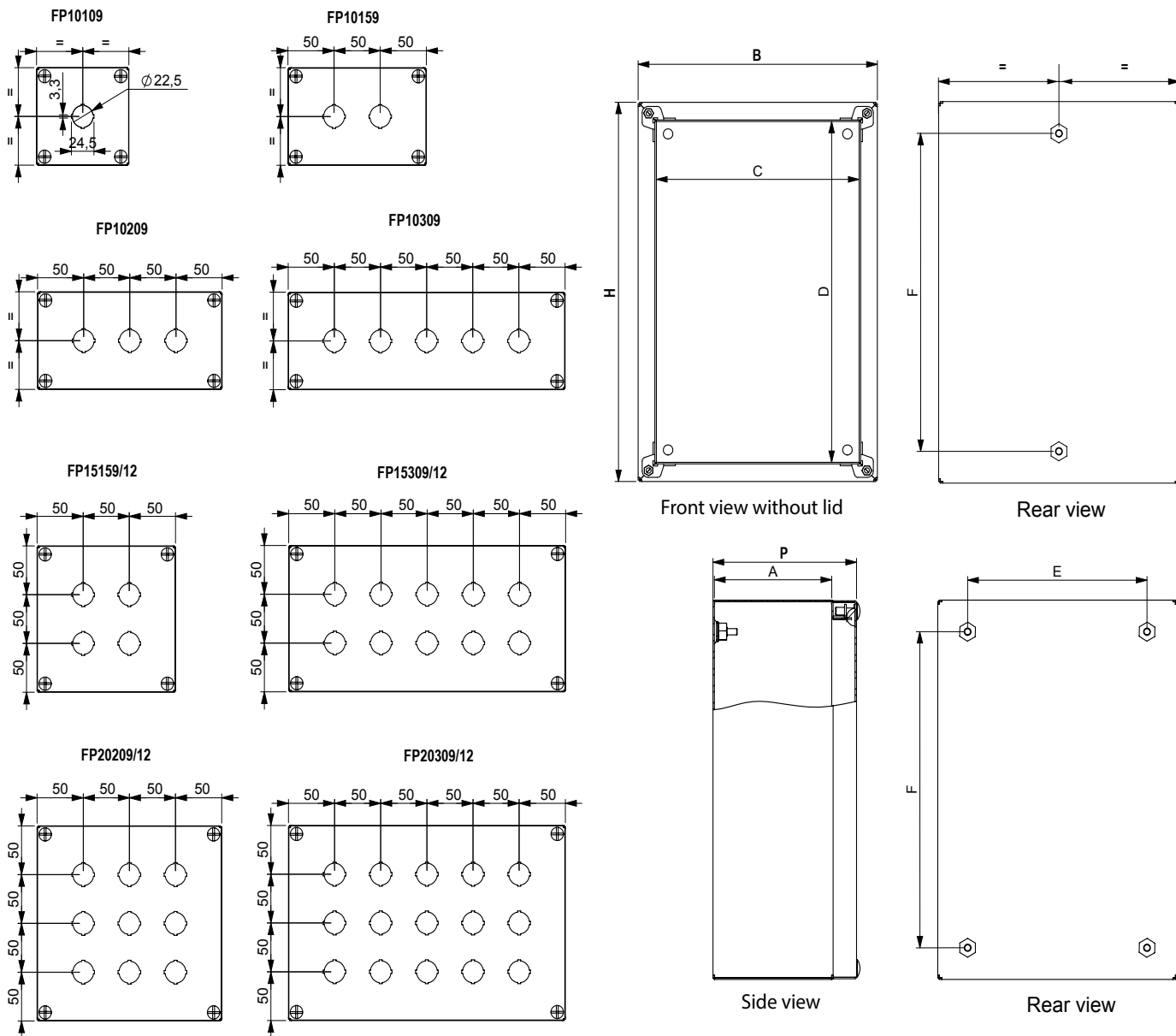


Rear view

TECHNICAL DETAILS

CODE (IP66)	CODE (IP68)	Dimensions			Volume m ³	Weight Kg	Width available for openings on the side			N° Rear fixings	N° Cover fasteners	Distance of wall fixings		Mounting plate dimensions		Mounting plate code	IP66 heat load dissipation	IP68 heat load dissipation
		B	H	P			A	C	D			E	F	G	I			
FD10109	FDS10109W	100	100	90	0,001	0,704	70,5	69,6	69,6	2	4	-	50	-	-	-	5W	18,5W
FD10159	FDS10159W	100	150	90	0,001	0,946	70,5	69,6	119,6	2	4	-	100	65	115	PIL1015G	6,5W	23W
FD10209	FDS10209W	100	200	90	0,002	1,177	70,5	69,6	169,6	2	4	-	150	65	165	PIL1020G	8W	27W
FD15159	FDS15159W	150	150	90	0,002	1,232	70,5	119,6	119,6	2	4	-	100	115	115	PIL1515G	8W	28W
FD151512	FDS151512W	150	150	120	0,003	1,419	100,5	119,6	119,6	2	4	-	100	115	115	PIL1515G	9,5W	32W
FD15309	FDS15309W	150	300	90	0,004	2,101	70,5	119,6	269,6	2	4	-	250	115	265	PIL1530G	12,5W	43W
FD153012	FDS153012W	150	300	120	0,005	2,376	100,5	119,6	269,6	2	4	-	250	115	265	PIL1530G	13,5W	48W
FD20209	FDS20209W	200	200	90	0,004	1,870	70,5	169,6	169,6	4	4	150	150	165	165	PIL2020G	11,5W	40W
FD202012	FDS202012W	200	200	120	0,005	2,112	100,5	169,6	169,6	4	4	150	150	165	165	PIL2020G	12,5W	44W
FD20309	FDS20309W	200	300	90	0,005	2,552	70,5	169,6	269,6	4	4	150	250	165	265	PIL2030G	14,5W	51W
FD203012	FDS203012W	200	300	120	0,007	2,860	100,5	169,6	269,6	4	4	150	250	165	265	PIL2030G	16W	56W
FD204012	FDS204012W	200	400	120	0,010	3,608	100,5	169,6	369,6	4	4	150	350	165	365	PIL2040G	19W	67W
FD303012	FDS303012W	300	300	120	0,011	3,817	100,5	269,6	269,6	4	4	250	250	265	265	PIL3030G	20W	70W
FD304015	FDS304015W	300	400	150	0,018	5,214	130,5	269,6	369,6	4	4	250	350	265	365	PIL3040G	26W	90W
FD404015		400	400	150	0,024	6,446	130,5	369,6	369,6	4	4	350	350	365	365	PIL4040G	30W	-
FD406015*		400	600	150	0,036	9,020	130,5	369,6	569,6	4	6	350	550	357	565	PIL4060G	43W	-
FD606020*		600	600	200	0,072	13,651	180,5	569,6	569,6	4	8	550	550	557	565	PIL6060G	53W	-

*] box not certifiable by UL, B=Base H=Height P=Depth



TECHNICAL DETAILS

CODE (IP66)	Dimensions			Volume m ³	Weight Kg	Available width for opening on the side			Accessible area through door	N° of rear fixin	N° of lid fasteners	Distance of wall fixing		N° holes on the lid	Heat load dissipation
	B	H	P			A	C	D				E	F		
FP10109	100	100	90	0,001	0,704	70,5	69,6	69,6	2	4	-	50	1	5W	
FP10159	100	150	90	0,001	0,946	70,5	69,6	119,6	2	4	-	100	2	6,5W	
FP10209	100	200	90	0,002	1,177	70,5	69,6	169,6	2	4	-	150	3	8W	
FP10309	100	300	90	0,003	1,232	70,5	69,6	269,6	2	4	-	250	5	12,5W	
FP15159	150	150	90	0,002	1,419	70,5	119,6	119,6	2	4	-	100	4	8W	
FP151512	150	150	120	0,003	2,101	100,5	119,6	119,6	2	4	-	100	4	9,5W	
FP15309	150	300	90	0,004	2,376	70,5	119,6	269,6	2	4	-	250	10	12,5W	
FP153012	150	300	120	0,005	1,870	100,5	119,6	269,6	2	4	-	250	10	13,5W	
FP20209	200	200	90	0,004	2,112	70,5	169,6	169,6	4	4	150	150	9	11,5W	
FP202012	200	200	120	0,005	2,552	100,5	169,6	169,6	4	4	150	150	9	12,5W	
FP20309	200	300	90	0,005	2,860	70,5	169,6	269,6	4	4	150	250	15	14,5W	
FP203012	200	300	120	0,007	3,608	100,5	169,6	269,6	4	4	150	250	15	16W	



DIN RAIL SUPPORT BRACKET

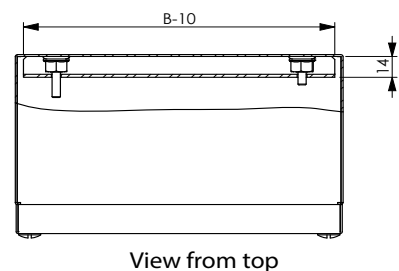
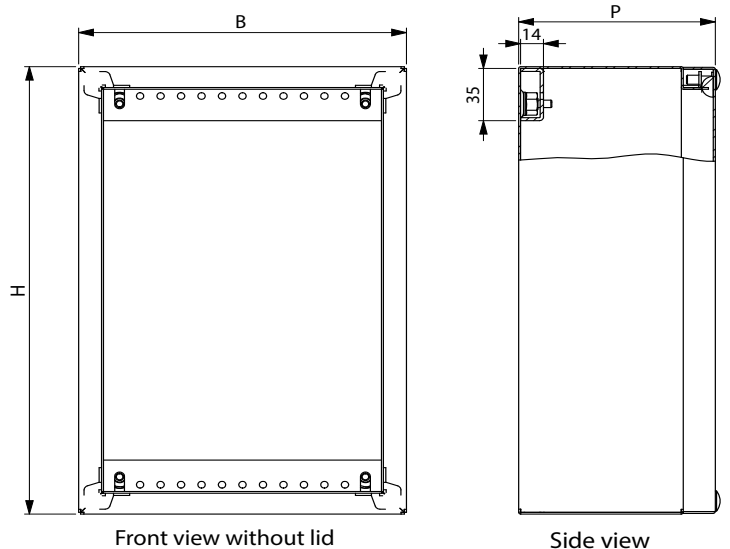
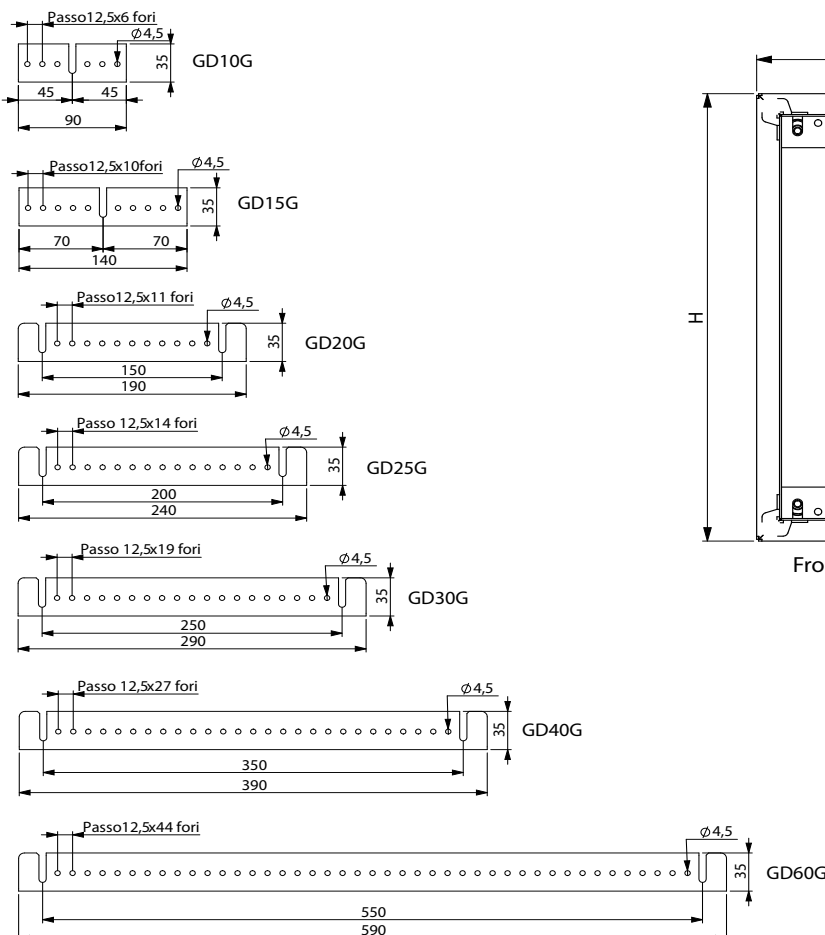
Suitable for fixing the DIN rails inside push-button panels and junction boxes. 12.5mm spaced holes, 4.5mm self-tapping screw for quick fixing.



CODES	
CODES	CODES RIF. FD
GD10G	FD10109
GD10G	FD10159
GD10G	FD10209
GD15G	FD15159
GD15G	FD151512
GD15G	FD15309
GD15G	FD153012
GD20G	FD20209
GD20G	FD202012
GD20G / GD30G	FD20309
GD20G / GD30G	FD203012
GD20G / GD40G	FD204012
GD30G	FD303012
GD30G / GD40G	FD304015
GD40G	FD404015
GD40G / GD60G	FD406015
GD60G	FD606020

* on request AISI 304L or AISI 316L.
change the last letter of the code:
G = FeZn-galvanized steel (standard)
H = AISI 304L
L = AISI 316L

Technical drawings



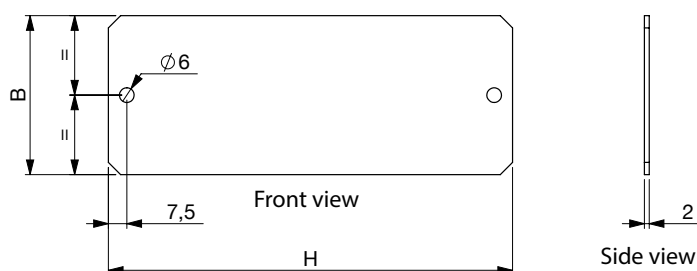
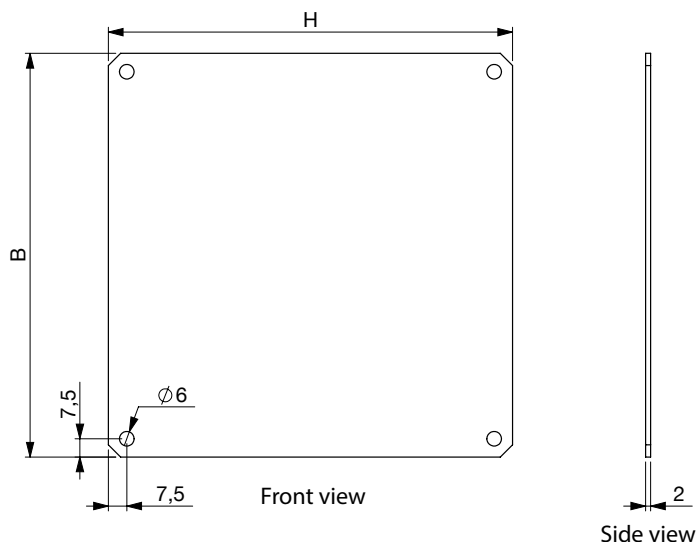


MOUNTING PLATE

Suitable for fixing instrumentation inside push-button boxes and junction boxes.



Technical drawings



*on request AISI 304L or AISI 316L
change the last letter of the code:
G = FeZn-galvanized steel (standard)
H = AISI 304L
L = AISI 316L

TECHNICAL DETAILS

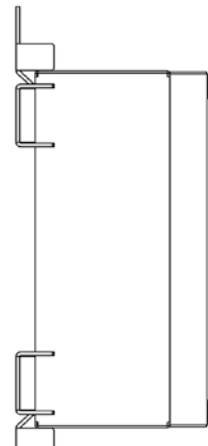
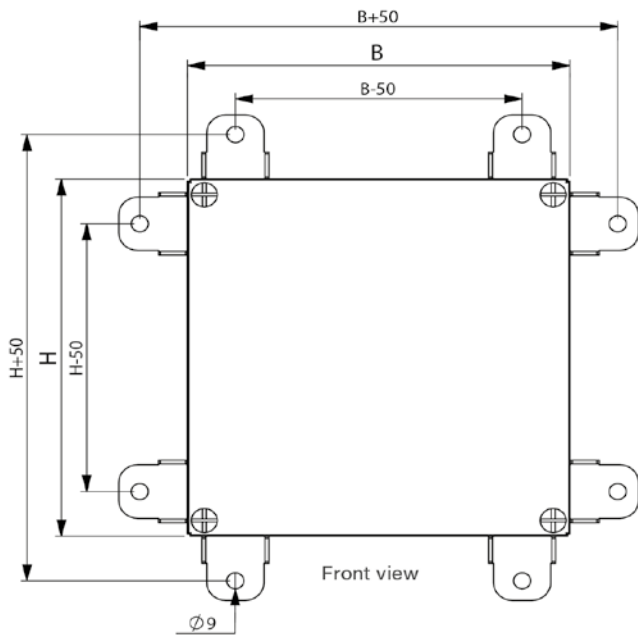
CODE RIF.FD	CODE RIF.FP	Mounting plate dimension		Mounting plate code
		B	H	
FD10109	FP10109	-	-	-
FD10159	FP10159	65	115	PIL1015G
FD10209	FP10209	65	165	PIL1020G
-	FP10309	65	265	PIL1030G
FD15159	FP15159	115	115	PIL1515G
FD151512	FP151512	115	115	PIL1515G
FD15309	FP15309	115	265	PIL1530G
FD153012	FP153012	115	265	PIL1530G
FD20209	FP20209	165	165	PIL2020G
FD202012	FP202012	165	165	PIL2020G
FD20309	FP20309	165	265	PIL2030G
FD203012	FP203012	165	265	PIL2030G
FD204012	-	165	365	PIL2040G
FD303012	-	265	265	PIL3030G
FD304015	-	265	365	PIL3040G
FD404015	-	365	365	PIL4040G
FD406015	-	357	565	PIL4060G
FD606020	-	557	565	PIL6060G



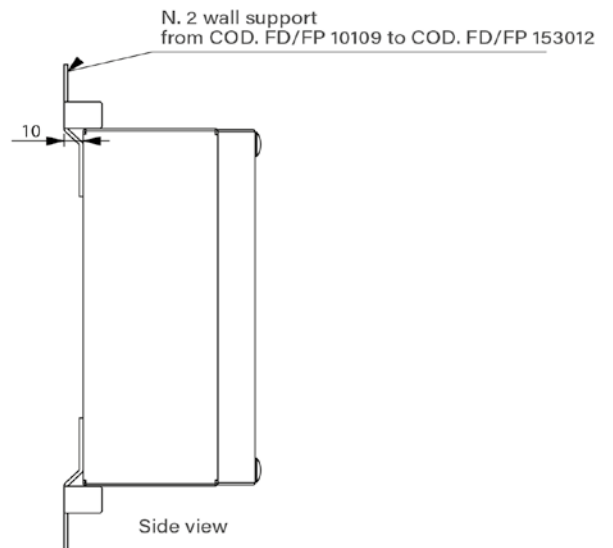
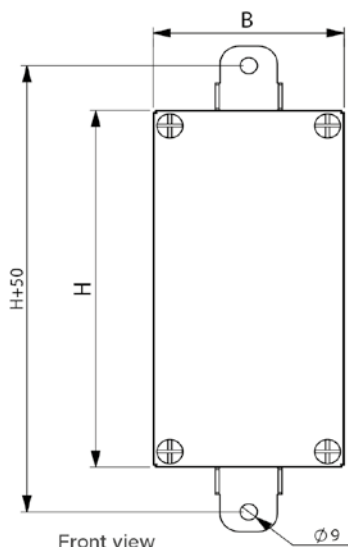
WALL MOUNTING BRACKETS

(Flat, raised and connected to ground) Kit including plates and complete with screws for wall mounting.

Technical drawings

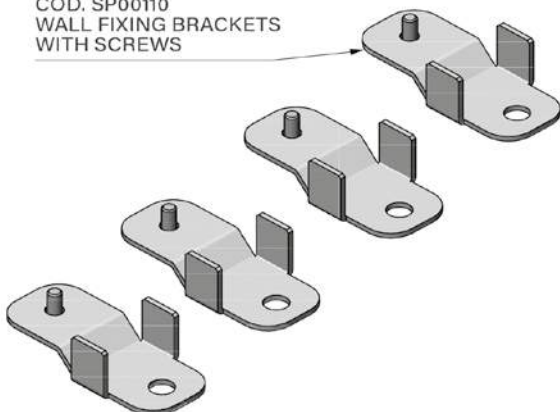


N. 4 wall support
from COD. FD/FP 20209 to COD. FD 606020

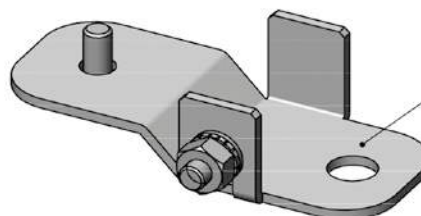


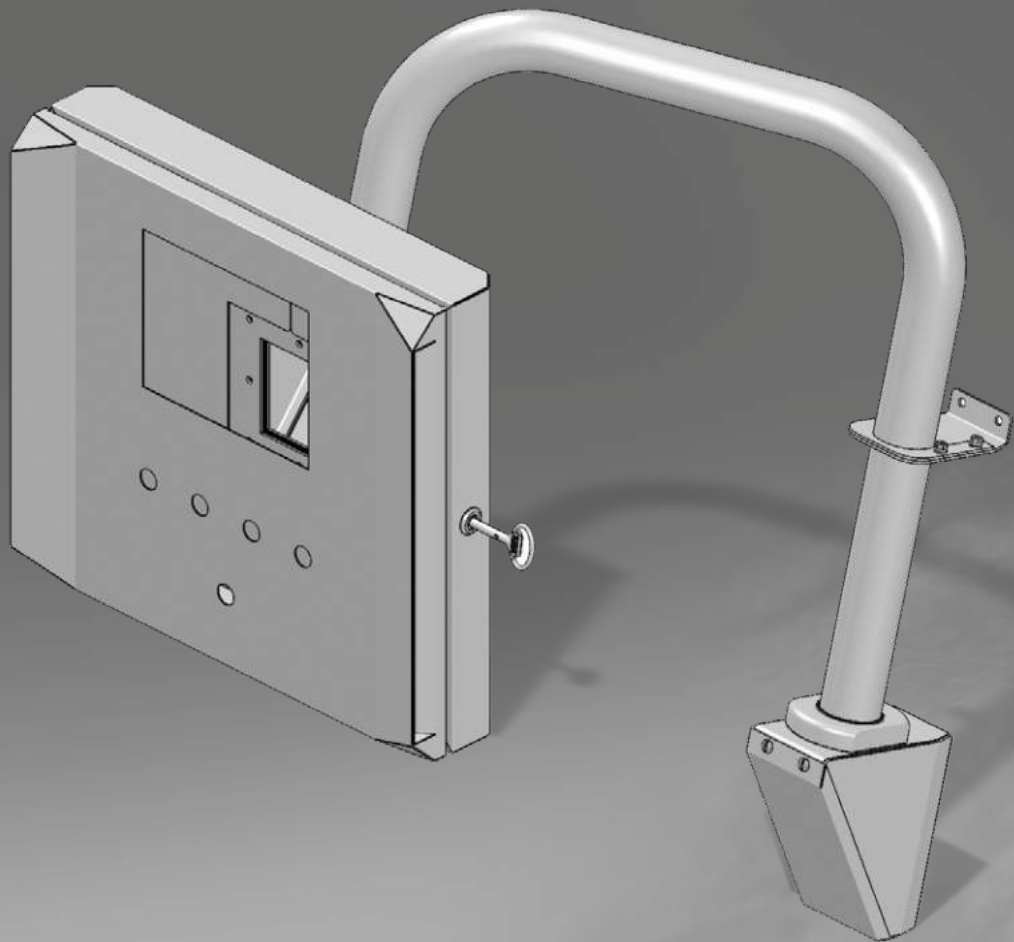
N. 2 wall support
from COD. FD/FP 10109 to COD. FD/FP 153012

COD. SP00110
WALL FIXING BRACKETS
WITH SCREWS



COD. SP000120
WALL FIXING BRACKETS
WITH EARTHING





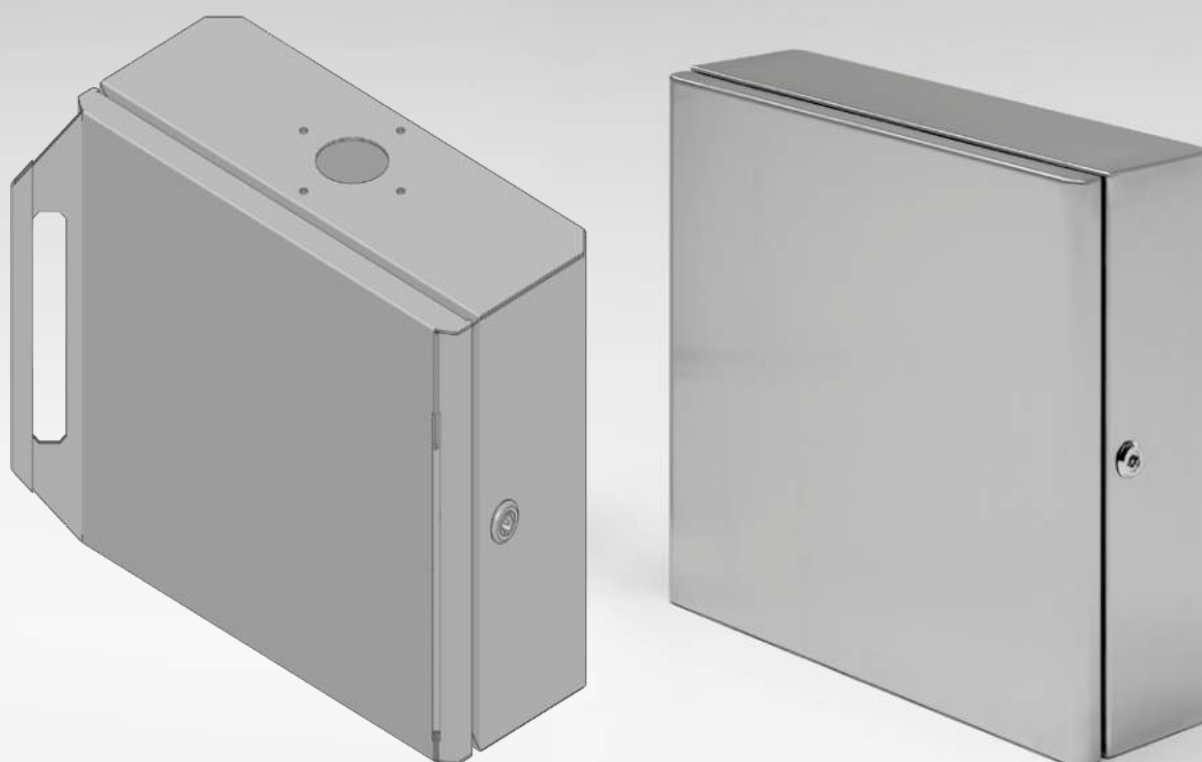


SIDECOM



FM/FMN – SUPPORT ARM PANEL SYSTEMS P=160

The FM range of stainless steel support arm panels systems has been made in compliance with most recent international standards, with entirely innovative construction design ensuring solidity, protection and cleanliness. The IP66 degree of protection and the scotch-brite finishing distinguishes the FM range, providing the ideal solution for applications in aggressive settings typical of food, chemical, pharmaceutical industry or for applications in outdoor environments. **Upon request it's possible to supply FM support arm panel system tailor-made according to customer needs.**



Integrated and ergonomic handles on the door fixed to the body, with non-visible hinges and relative removable pin.

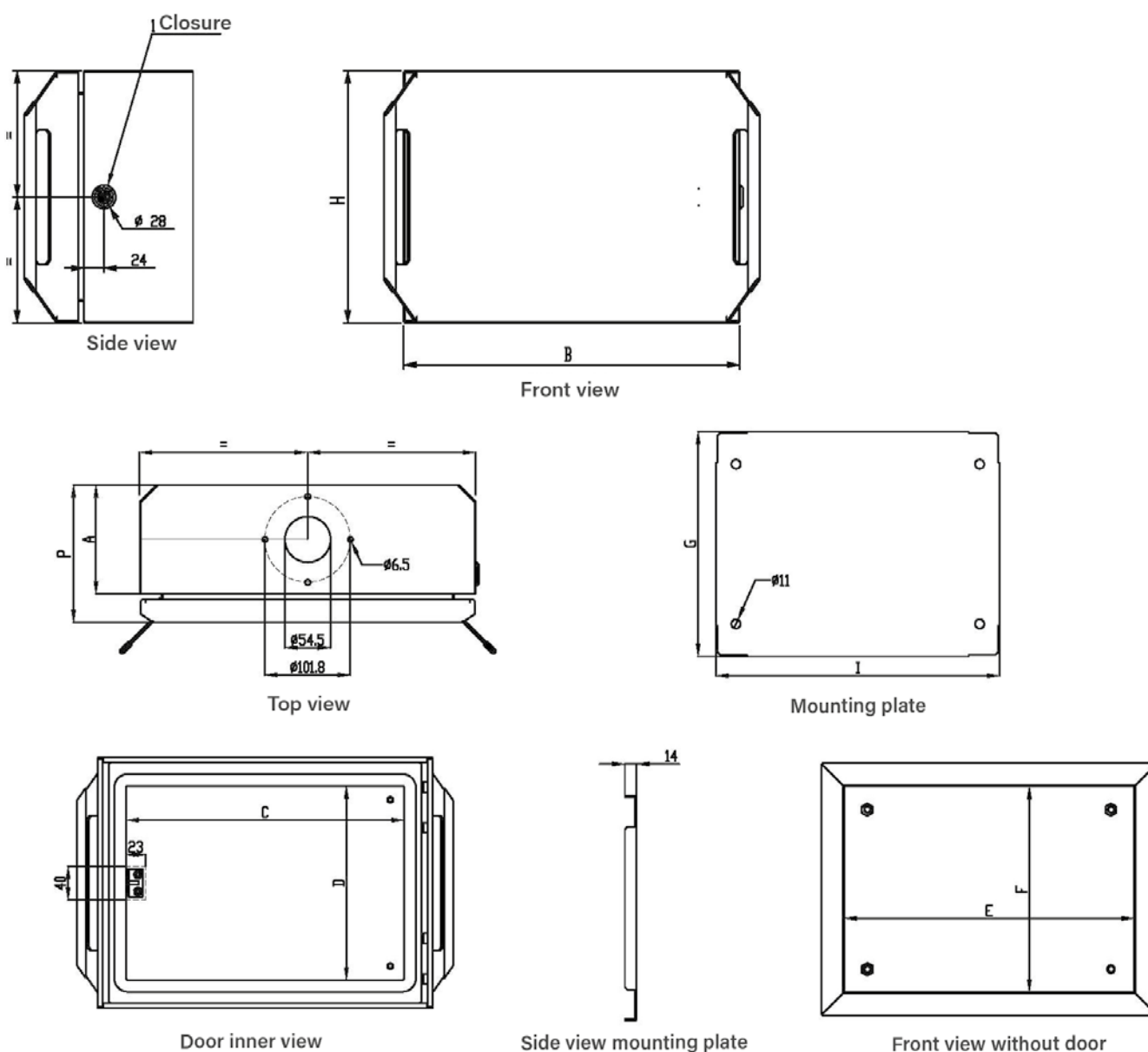
DEGREE OF PROTECTION AND STANDARD REFERENCES

IP66 IK10 - EN 62208 : 2011

89/392/EEC

EN 60529/09.200 - EN 50102/05.96

SIDECOM P=160 Technical drawings



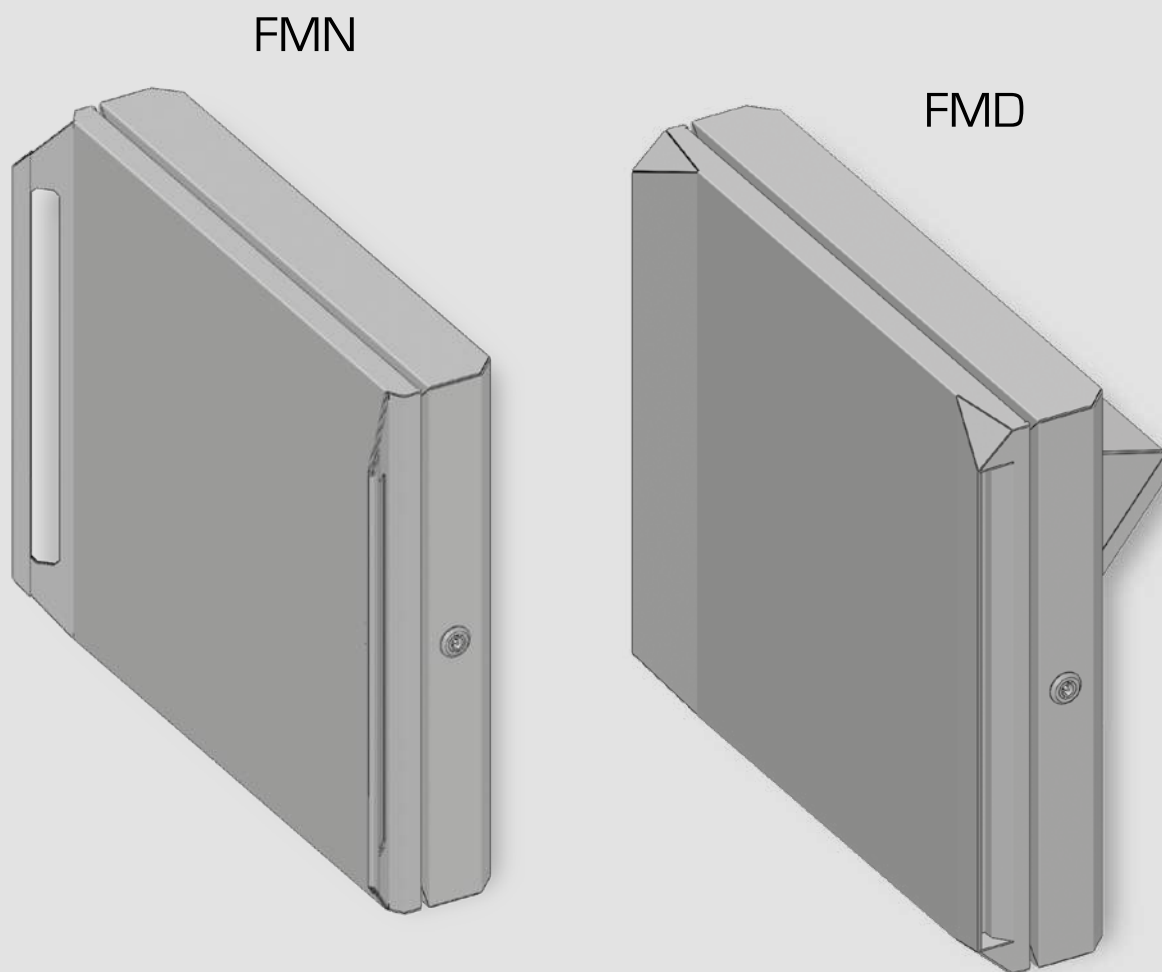
WALL-MOUNTED TECHNICAL DETAILS P =160

CODE	Dimensions			Weight Kg	Volume m ³	Available area for door drilling		Available width for side drilling A	Accessible area through door		Mounting plate	
	B	H	P			C	D		E	F	I	G
RANGE WITHOUT HANDLE P=160												
FM403016	400	300	160	5,50	0,019	331	231	130	345	245	318	268
FM453516	450	350	160	7,00	0,025	381	281	130	395	295	368	318
FM454516	450	450	160	8,00	0,032	381	381	130	395	395	368	418
FM504516	500	450	160	9,00	0,036	431	381	130	445	395	418	418
FM505016	500	500	160	10,00	0,040	431	431	130	445	445	418	468
FM605016	600	500	160	12,00	0,048	531	431	130	545	445	518	468
RANGE WITH HANDLE P=160												
FMN403016	400	300	160	5,50	0,019	331	231	130	345	245	318	268
FMN453516	450	350	160	7,00	0,025	381	281	130	395	295	368	318
FMN454516	450	450	160	8,00	0,032	381	381	130	395	395	368	418
FMN504516	500	450	160	9,00	0,036	431	381	130	445	395	418	418
FMN505016	500	500	160	10,00	0,040	431	431	130	445	445	418	468
FMN605016	600	500	160	12,00	0,048	531	431	130	545	445	518	468



FMN/FMD – SUPPORT ARM PANELS SYSTEMS P=100

The FM range of stainless steel support arm panels systems has been made in compliance with most recent international standards, with entirely innovative construction design ensuring solidity, protection and cleanliness. The IP66 degree of protection and the scotch-brite finishing distinguishes the FM range, providing the ideal solution for applications in aggressive settings typical of food, chemical, pharmaceutical industry or for applications in outdoor environments. **Upon request it's possible to supply FM support arm panel system tailor-made according to customer needs.**



100 mm depth only
Arm fixed on the back to improve water protection.
Integrated and ergonomic handles on the door fixed to the body, with non-visible hinges and relative removable pin.

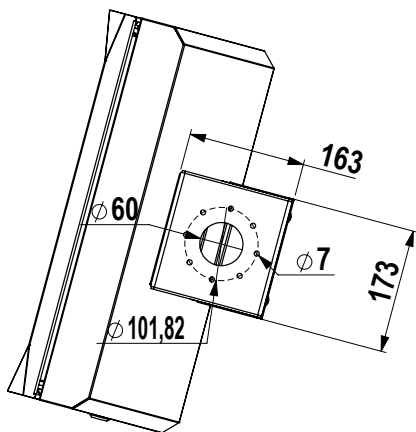
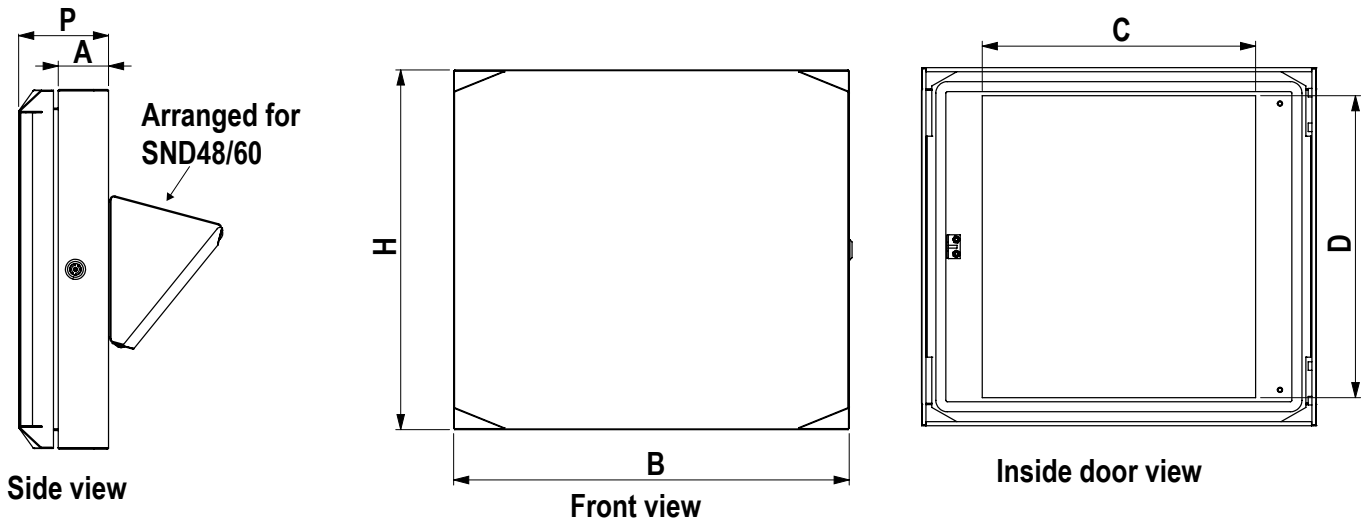
PLATE ON REQUEST

DEGREE OF PROTECTION AND STANDARD

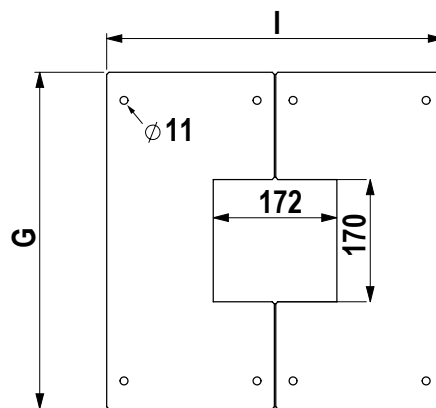
IP66 IK10 - EN 62208 : 2011

89/392/EEC

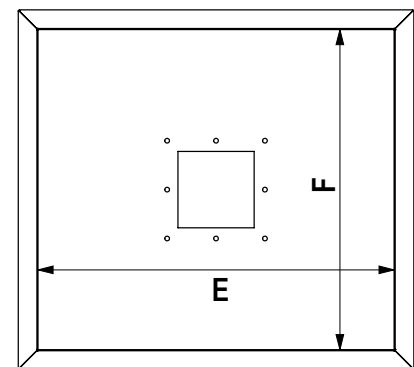
EN 60529/09.200 - EN 50102/05.96



View from above



Mounting plate



Front view without door

TECHNICAL DETAILS

CODE	Dimensions			Weight Kg	Volume m³	Available area for door drilling		Available width for side drilling A	Accessible area through door		Mounting plate (2 half plates)	
	B	H	P			C	D		E	F	I	G
RANGE P=100												
FMN403010	400	300	100	5,50	0,019	331	231	70	345	245	318	268
FMN453510	450	350	100	7,00	0,025	381	281	70	395	295	368	318
FMN454510	450	450	100	8,00	0,032	381	381	70	395	395	368	418
FMN504510	500	450	100	9,00	0,036	431	381	70	445	395	418	418
FMN555010	550	500	100	11,00	0,040	481	431	70	495	445	468	468
RANGE DESIGN												
FMD403010	400	300	100	5,50	0,019	230	220	70	345	245	318	268
FMD453510	450	350	100	7,00	0,025	280	270	70	395	295	368	318
FMD454510	450	450	100	8,00	0,032	280	370	70	395	395	368	418
FMD504510	500	450	100	9,00	0,036	330	370	70	445	395	418	418
FMD555010	550	500	100	11,00	0,040	380	420	70	495	445	468	468



PIPES FOR WALL-MOUNTED SYSTEMS

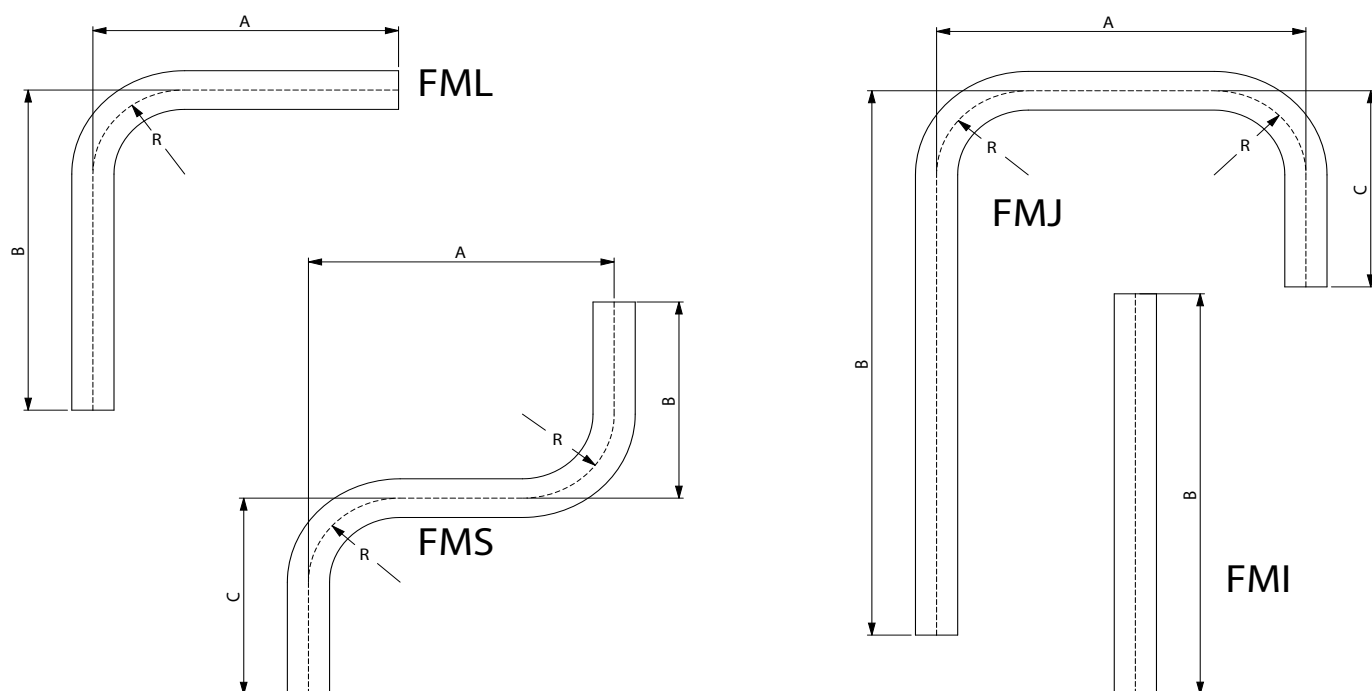
Small and medium-sized steel pipes are made of AISI304 stainless steel (EN 1.4301). Available in four different types:

- a "L" FML
- a "J" FMJ
- a "S" FMS
- a "I" FMI

Customized lengths are available.

For \varnothing 48.3mm pipes, the average R bending radius can be : 90mm or 105mm.
For \varnothing 60.3mm pipes the average bending radius is 150mm.

Technical drawings

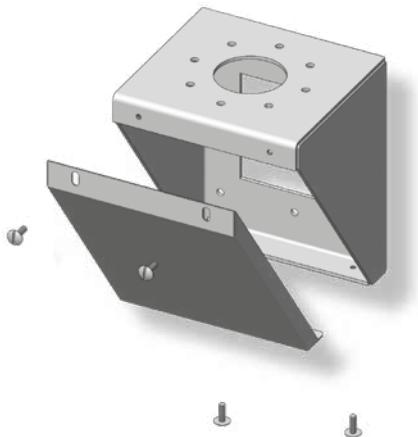


TECHNICAL DETAILS

CODE	Dimensions* [*minimum dimensions for the bending]		
	A mm	B mm	C mm
FMJ	min. 450	min. 245	min. 300
FML	min. 245	min. 245	-
FMS	min. 250	min. 245	min. 245
FMI	-	min. 300	-



ROTATING/FIXED JOINT AND CABLES ENTRY FLANGE



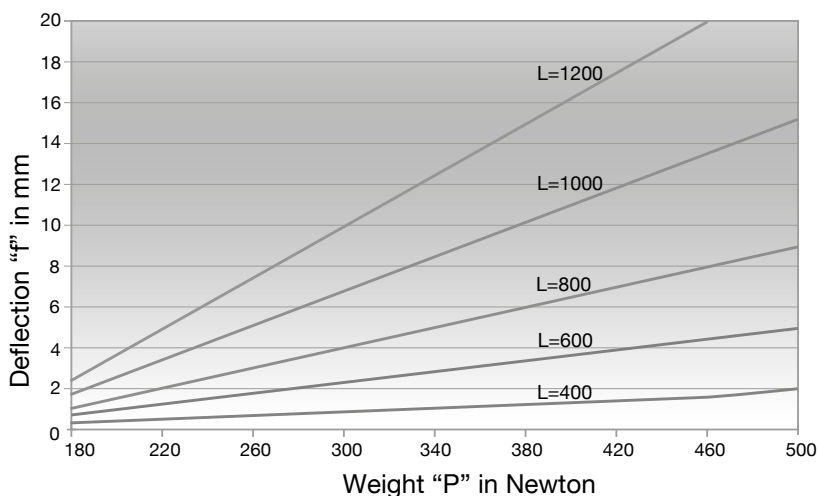
SNF6001 (JOINT SND 48/60)
SNF6003 (JOINT SND 00001)



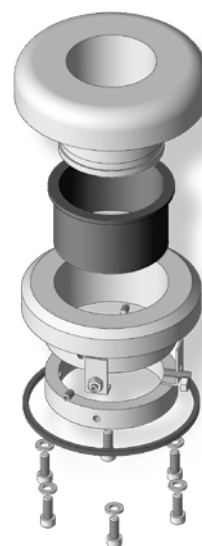
SND48 - SND60

TECHNICAL DETAILS

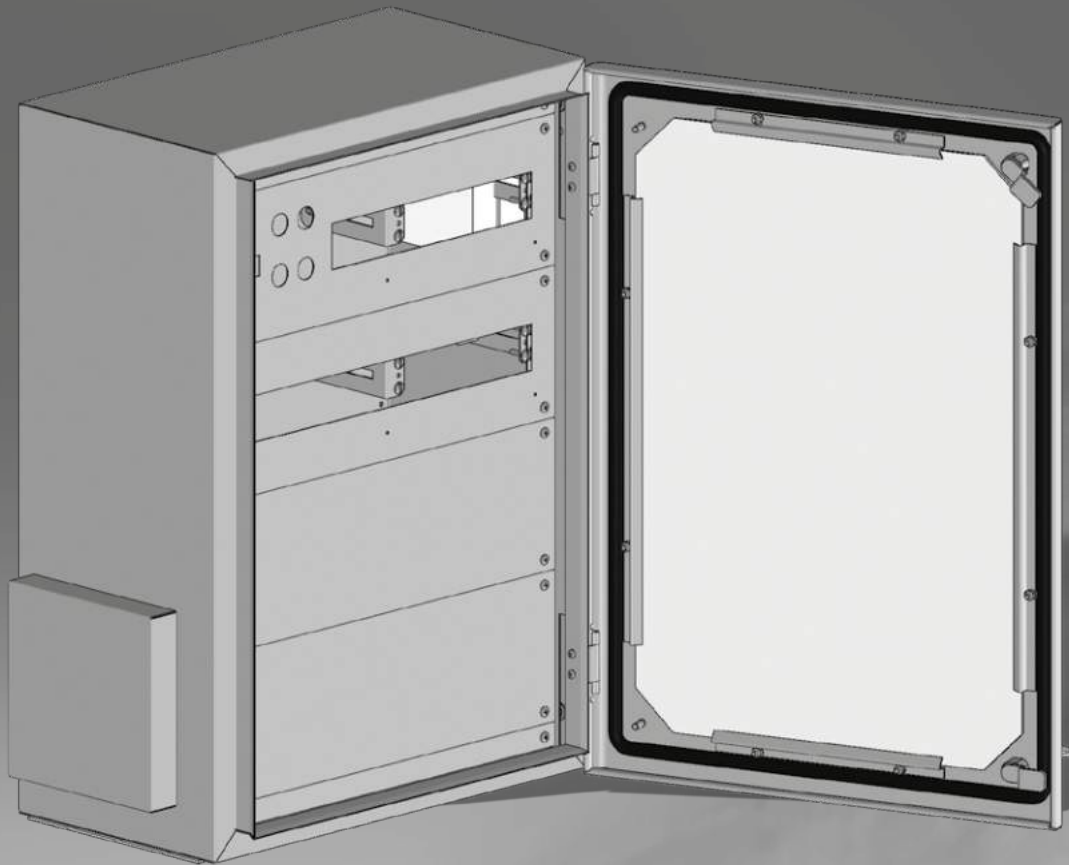
CODE	Description	Q.TA'
SND48	Rotating joint 360° Ø 48,3 mm	1
SND60	Rotating joint 360° Ø 60,3 mm	1
SNF48	Fixed joint Ø 48,3 mm	1
SNF60	Fixed joint Ø 60,3 mm	1
SNF6001	Joint wall fixing shelf Ø 48,3 e Ø 60,3mm (SND 48/60)	1
SNF4802	Pipe fixing flange Ø 48,3 mm (joint reinforcement SND 48)	1
SNF6002	Pipe fixing flange o Ø 60,3 mm (joint reinforcement SND 60)	1
SNF6003	Joint fixing bracket SND 00001	1
SND00001	rotating joint 360° Ø 60,3 mm reinforced with adjustable swinging angle	1



Graphic indicating the bending of the pipe based on the applied weight and its deflection.



SND00001



SMART



SOLID DOOR ENCLOSURES AND POLYCARBONATE DOOR ENCLOSURES

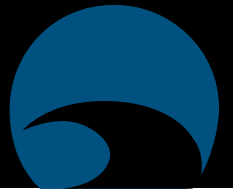
The FQ range of stainless steel enclosures has been built in compliance with the most recent international standards, with completely innovative construction design and protection concepts. It is therefore the ideal solution for applications in aggressive settings typical of the food, chemical, pharmaceutical industry or for applications in outdoor environments. **It is possible to supply the FQ enclosures tailor-made in accordance to customer needs.** On request is available transparent glass door with a 3 + 3mm safety glass.

FQ range: Stainless steel enclosure with 1 door IP66



DEGREE OF PROTECTION AND STANDARDS REFERENCE

IP66 IK10 NEMA TYPE 1, 12, 4, 4X	89/392/EEC
EN 62208 : 2011	UL 508 A NEMA STANDARD PUBLICATION 250
EN 60529/09.200 EN 50102/05.96	



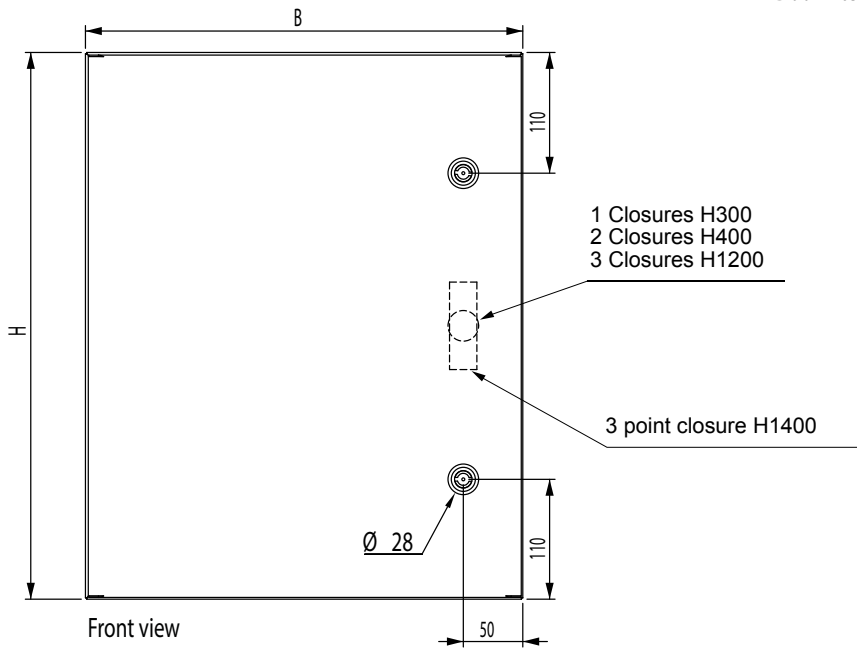
ENCLOSURE WITH INTEGRATED ROOF FHD FHD - Stainless steel enclosure with integrated rain roof

This design represents the ideal solution when used in settings which require high hygiene standards. An integrated and sloping canopy provides additional protection for the drainage of liquids. This is a typical solution for the food and beverage industry, biotechnological laboratories and pharmaceutical plants.

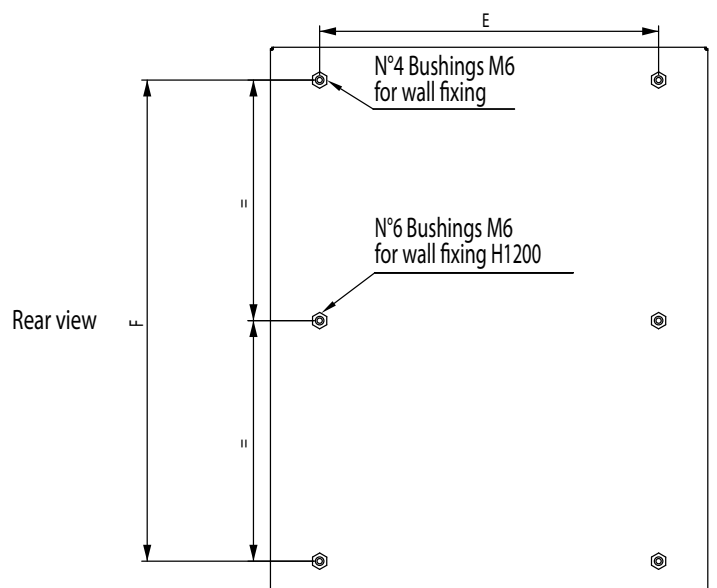
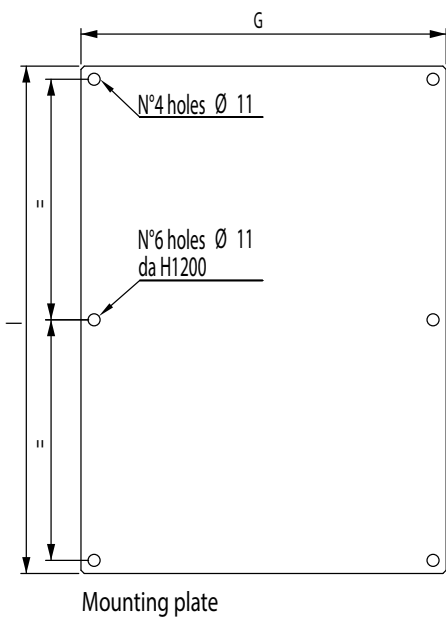
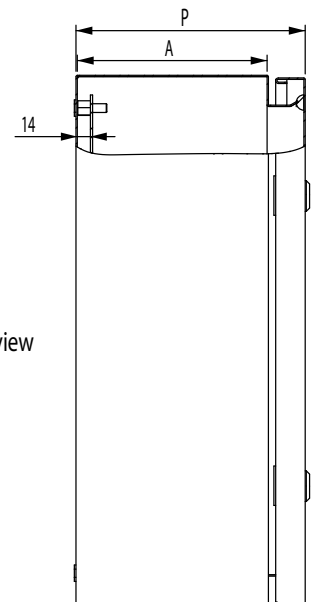
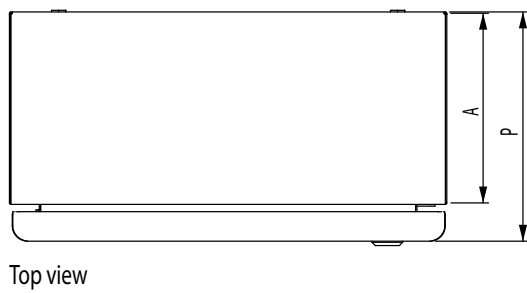
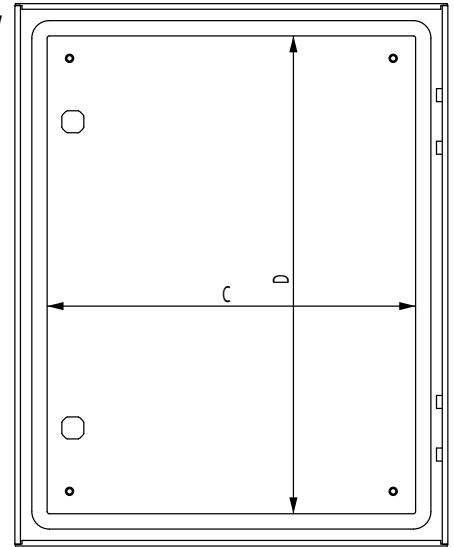


FQ - Stainless steel enclosure with 2 doors IP55





Door internal view

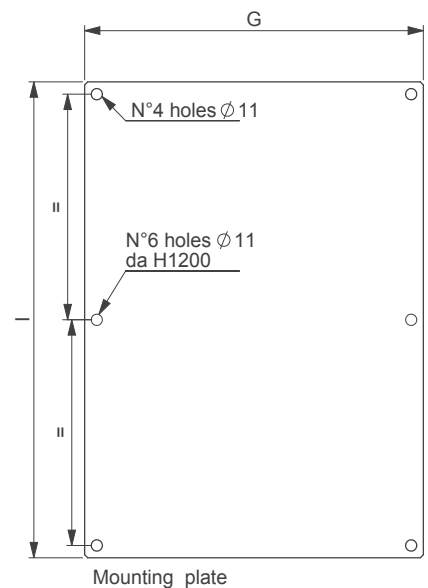
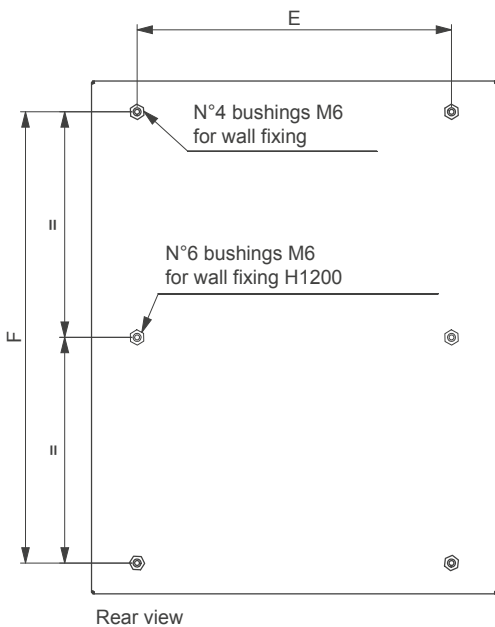
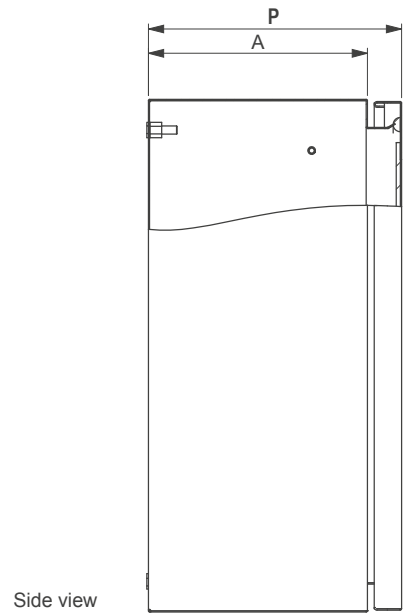
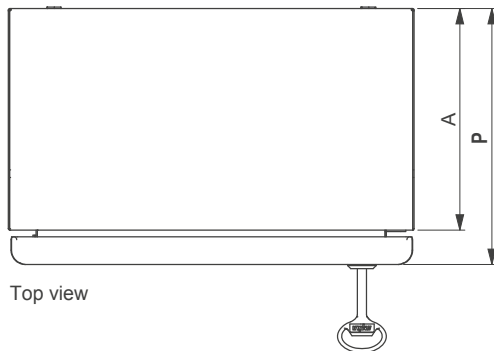
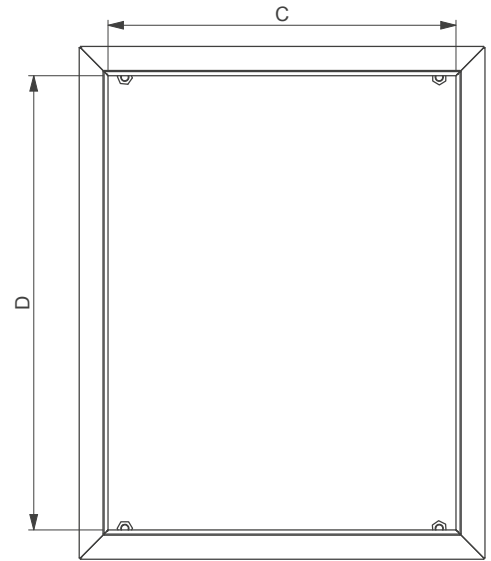
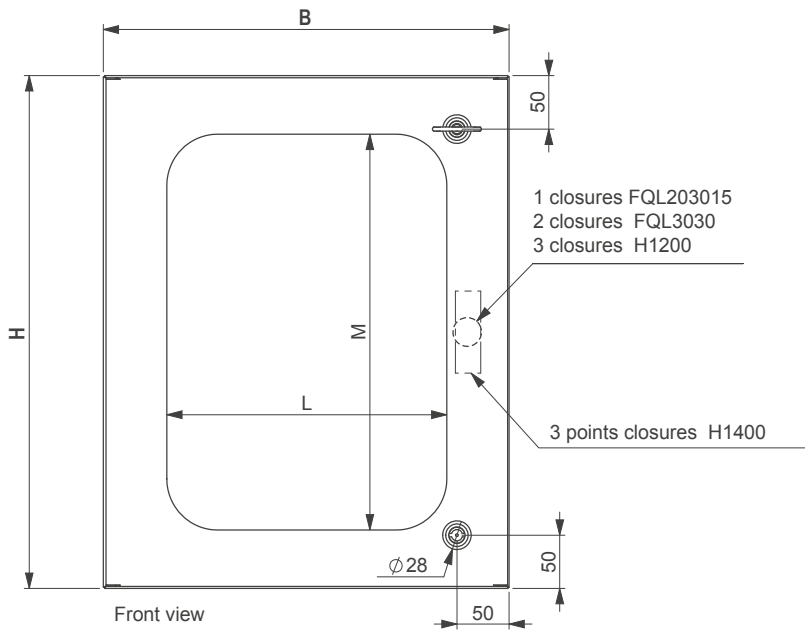




TECHNICAL DETAILS

CODE	Dimensions			Weight Kg	Volume m ³	Available area for door drilling		Available width for side drilling		Mounting Plate		Wall fixing distances		N° of locks	Heat load dissipation
	B	H	P			C	D	A	G	I	E	F			
FG203015	200	300	150	4,00	0,009	137	237	116	138	268	110	240	1	14W	
FG303015	300	300	150	5,50	0,014	237	237	116	238	268	210	240	1	18W	
FG303021	300	300	210	6,50	0,019	237	237	176	238	268	210	240	1	20W	
FG304015	300	400	150	7,00	0,018	237	337	116	238	368	210	340	1	22W	
FG304021	300	400	210	8,00	0,025	237	337	176	238	368	210	340	1	25W	
FG403015	400	300	150	7,00	0,018	337	237	116	338	268	310	240	1	21W	
FG404021	400	400	210	10,00	0,034	337	337	176	338	368	310	340	2	29W	
FG405021	400	500	210	12,00	0,042	337	437	176	338	468	310	440	2	35W	
FG405025	400	500	250	12,50	0,050	337	437	216	338	468	310	440	2	37W	
FG406021	400	600	210	14,00	0,050	337	537	176	338	568	310	540	2	41W	
FG454521	450	450	210	12,00	0,043	387	387	176	388	418	360	390	2	35W	
FG454525	450	450	250	13,00	0,051	387	387	216	388	418	360	390	2	37W	
FG456025	450	600	250	16,50	0,068	387	537	216	388	568	360	540	2	46W	
FG505021	500	500	210	14,50	0,053	437	437	176	438	468	410	440	2	41W	
FG505025	500	500	250	15,00	0,063	437	437	216	438	468	410	440	2	44W	
FG506021	500	600	210	18,00	0,063	437	537	176	438	568	410	540	2	46W	
FG507021	500	700	210	20,00	0,074	437	637	176	438	668	410	640	2	52W	
FG507025	500	700	250	20,50	0,088	437	637	216	438	668	410	640	2	55W	
FG604021	600	400	210	14,00	0,050	537	337	176	538	368	510	340	2	39W	
FG604525	600	450	250	16,00	0,068	537	387	216	538	418	510	390	2	44W	
FG606021	600	600	210	20,00	0,076	537	537	176	538	568	510	540	2	52W	
FG606025	600	600	250	21,00	0,090	537	537	216	538	568	510	540	2	55W	
FG606030	600	600	300	22,00	0,108	537	537	266	538	568	510	540	2	58W	
FG606040	600	600	400	25,00	0,144	537	537	366	538	568	510	540	2	66W	
FG608021	600	800	210	26,50	0,101	537	737	176	538	768	510	740	2	66W	
FG608025	600	800	250	28,00	0,120	537	737	216	538	768	510	740	2	68W	
FG608030	600	800	300	29,50	0,144	537	737	266	538	768	510	740	2	72W	
FG608040	600	800	400	32,50	0,192	537	737	366	538	768	510	740	2	78W	
FG609030	600	900	300	33,00	0,162	537	837	266	538	868	510	840	2	77W	
FG6010030	600	1000	300	40,00	0,180	537	937	266	538	968	510	940	2	82W	
FG6012030	600	1200	300	47,00	0,216	537	1137	266	538	1168	510	1140	3	99W	
FG6012040	600	1200	400	52,00	0,288	537	1137	366	538	1168	510	1140	3	110W	
FG806030	800	600	300	28,50	0,144	737	537	266	738	568	710	540	2	68W	
FG808030	800	800	300	42,00	0,192	737	737	266	738	768	710	740	2	84W	
FG8010030	800	1000	300	51,00	0,240	737	937	266	738	968	710	940	2	102W	
FG8012030	800	1200	300	59,50	0,288	737	1137	266	738	1168	710	1140	3	116W	
FG8012040	800	1200	400	65,00	0,384	737	1137	366	738	1168	710	1140	3	125W	
FG6014030	600	1400	300	54,50	0,252	500	1335	266	500	1382	472	1340	1*	110W	
FG6014040	600	1400	400	59,50	0,336	500	1335	366	500	1382	472	1340	1*	120W	
FG8014030	800	1400	300	70,00	0,336	700	1335	266	700	1382	672	1340	1*	130W	
FG8014040	800	1400	400	75,00	0,448	700	1335	366	700	1382	672	1340	1*	132W	
FG8016030	800	1600	300	77	0,384	700	1535	266	700	1582	672	1540	1*	150W	
FG8016040	800	1600	400	84	0,512	700	1535	366	700	1582	672	1540	1*	170W	

* MULTIPOINT CLOSURE SYSTEM B=Base H=Height P=Depth





TECHNICAL DETAILS FQL

CODE	Dimensions			Weight Kg	Vol. m³	Transparent opening area		Available width for side drilling A	Accessible area through door		Mounting plate		Wall fixing distances		N° of locks	Heat load dissipation
	B	H	P			L	M		C	D	G	I	E	F		
FQL203015	200	300	150	4,00	0,011	95	186	116	143	243	138	268	110	240	1	14W
FQL303015	300	300	150	5,50	0,016	176	186	116	243	243	238	268	210	240	2	18W
FQL303021	300	300	210	6,50	0,023	176	186	176	243	243	238	268	210	240	2	20W
FQL304015	300	400	150	7,00	0,022	176	286	116	243	343	238	368	210	340	2	22W
FQL304021	300	400	210	11,53	0,030	176	286	176	243	343	238	368	210	340	2	25W
FQL403015	400	300	150	9,39	0,022	276	186	116	343	243	338	268	310	240	2	21W
FQL404021	400	400	210	13,87	0,040	276	286	176	343	343	338	368	310	340	2	29W
FQL405021	400	500	210	16,14	0,050	276	386	176	343	443	338	468	310	440	2	35W
FQL405025	400	500	250	18,01	0,060	276	386	216	343	443	338	468	310	440	2	37W
FQL406021	400	600	210	18,41	0,060	276	486	176	343	543	338	568	310	540	2	41W
FQL454521	450	450	210	16,29	0,051	326	336	176	393	393	388	418	360	390	2	35W
FQL454525	450	450	250	18,16	0,061	326	336	216	393	393	388	418	360	390	2	37W
FQL456025	450	600	250	22,06	0,081	326	486	216	393	543	388	568	360	540	2	46W
FQL505021	500	500	210	18,94	0,063	376	386	176	443	443	438	468	410	440	2	41W
FQL505025	500	500	250	20,91	0,075	376	386	216	443	443	438	468	410	440	2	44W
FQL506021	500	600	210	21,66	0,076	376	486	176	443	543	438	568	410	540	2	46W
FQL507021	500	700	210	24,39	0,088	376	586	176	443	643	438	668	410	640	2	52W
FQL507025	500	700	250	26,56	0,105	376	586	216	443	643	438	668	410	640	2	55W
FQL604021	600	400	210	18,56	0,060	476	286	176	543	343	538	368	510	340	2	39W
FQL604525	600	450	250	22,17	0,081	476	336	216	543	393	538	418	510	390	2	44W
FQL606021	600	600	210	24,92	0,091	476	486	176	543	543	538	568	510	540	2	52W
FQL606025	600	600	250	27,09	0,108	476	486	216	543	543	538	568	510	540	2	55W
FQL606030	600	600	300	29,95	0,130	476	486	266	543	543	538	568	510	540	2	58W
FQL606040	600	600	400	36,59	0,173	476	486	366	543	543	538	568	510	540	2	66W
FQL608021	600	800	210	33,05	0,121	476	686	176	543	743	538	768	510	740	2	66W
FQL608025	600	800	250	35,42	0,144	476	686	216	543	743	538	768	510	740	2	68W
FQL608030	600	800	300	38,52	0,173	476	686	266	543	743	538	768	510	740	2	72W
FQL608040	600	800	400	45,67	0,230	476	686	366	543	743	538	768	510	740	2	78W
FQL609030	600	900	300	47,97	0,194	476	786	266	543	843	538	868	510	840	2	77W
FQL6010030	600	1000	300	51,96	0,216	476	886	266	543	943	538	968	510	940	2	82W
FQL6012030	600	1200	300	59,94	0,259	476	1086	266	543	1143	538	1168	510	1140	3	99W
FQL6012040	600	1200	400	70,11	0,346	476	1086	366	543	1143	538	1168	510	1140	3	110W
FQL806030	800	600	300	44,14	0,173	676	486	266	743	543	738	568	710	540	2	68W
FQL808030	800	800	300	54,18	0,230	676	686	266	743	743	738	768	710	740	2	84W
FQL8010030	800	1000	300	64,23	0,288	676	886	266	743	943	738	968	710	940	2	102W
FQL8012030	800	1200	300	74,27	0,346	676	1086	266	743	1143	738	1168	710	1140	3	116W
FQL8012040	800	1200	400	85,07	0,461	676	1086	366	743	1143	738	1168	710	1140	3	125W
FQL6014030	600	1400	300	67,91	0,252	420	1300	266	510	1343	500	1382	472	1340	1*	110W
FQL6014040	600	1400	400	78,71	0,336	420	1300	366	510	1343	500	1382	472	1340	1*	120W
FQL8014030	800	1400	300	84,32	0,336	620	1300	266	710	1343	700	1382	672	1340	1*	130W
FQL8014040	800	1400	400	95,74	0,448	620	1300	366	710	1343	700	1382	672	1340	1*	132W
FQL8016030	800	1600	300	94,36	0,384	620	1500	266	710	1543	700	1582	672	1540	1*	150W
FQL8016040	800	1600	400	106,41	0,512	620	1500	366	710	1543	700	1582	672	1540	1*	170W

* MULTIPOINT CLOSURE SYSTEM



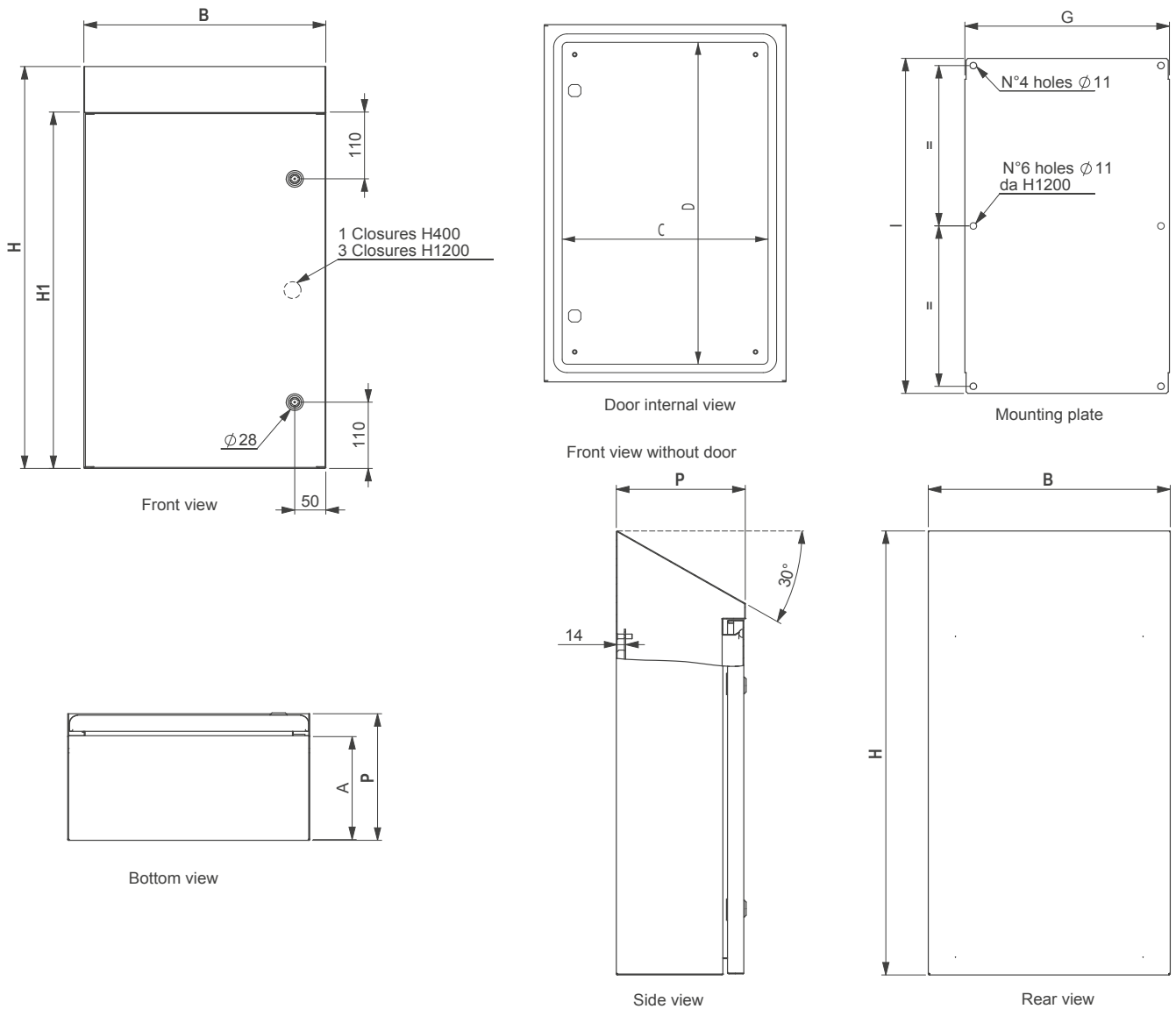
DEGREE OF PROTECTION AND STANDARDS REFERENCE

IP66 IK10

89/392/EEC

EN 62208 : 2011

EN 60529/09.200 - EN 50102/05.96



TECHNICAL DETAILS FHD

CODE	Dimensions				Weight Kg	Volume m ³	Available width for side drilling			Available are for door drilling			Mounting plate		N° of locks	Heat load dissipation
	B	H	H1	P			A	C	D	G	I	-	-			
FHD304015	300	548	400	150	8,00	0,025	116	237	337	238	368	1	22W			
FHD406021	400	748	600	210	15,00	0,063	176	337	537	338	568	2	41W			
FHD507021	500	848	700	210	21,00	0,089	176	437	637	438	668	2	52W			
FHD606025	600	748	600	250	24,00	0,112	216	537	537	538	568	2	55W			
FHD608025	600	948	800	250	31,00	0,142	216	537	737	538	768	2	68W			
FHD808030	800	948	800	300	41,00	0,228	266	737	737	738	768	2	84W			
FHD8012030	800	1348	1200	300	57,00	0,324	266	737	1137	738	1168	3	116W			



DEGREE OF PROTECTION AND REFERENCE STANDARDS

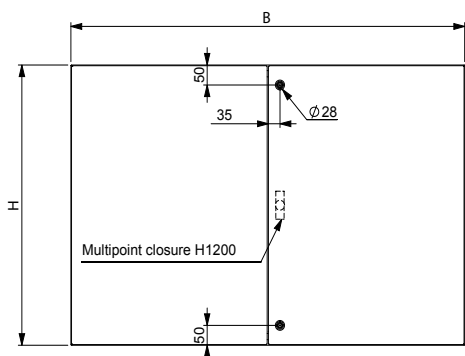
IP55 IK10 - NEMA TYPE 1, 12

89/392/EEC

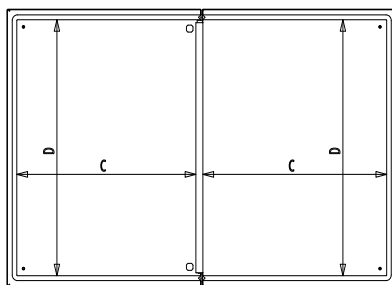
EN 62208 : 2011

UL 508 A - NEMA STANDARD PUBLICATION 250

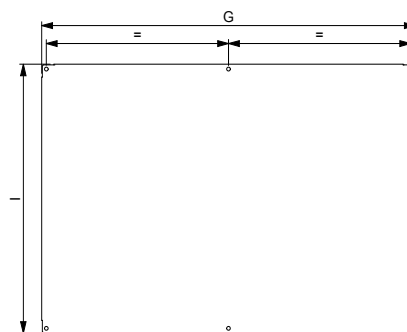
EN 60529/09.200 - EN 50102/05.96



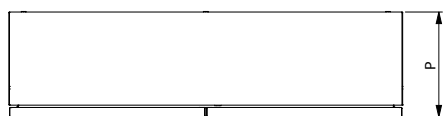
Front view



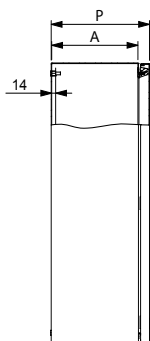
Door inner view



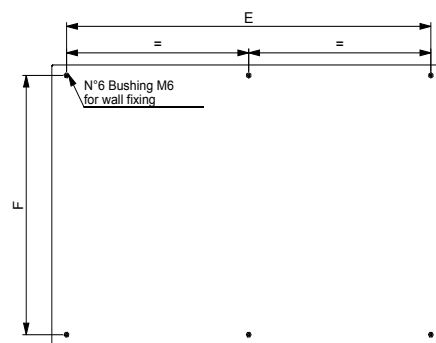
Mounting plate



Top view



Side view



Rear view

Smart Enclosure

TECHNICAL DETAILS FQ

CODE	Dimensions			Weight Kg	Volume m³	Available with for side drilling			Mounting plate		Wall fixing distance		N° of locks	Heat load dissipation
	B	H	P			A	C	D	G	I	E	F		
FQ1006030	1000	600	300	41,0	0,180	266	418,5	537	938	568	910	540	2	102W
FQ1008030	1000	800	300	52,0	0,240	266	418,5	737	938	768	910	740	2	124W
FQ10010030	1000	1000	300	62,5	0,300	266	418,5	937	938	968	910	940	3	124W
FQ10010040	1000	1000	400	68,0	0,400	366	418,5	937	938	968	910	940	3	156W
FQ1208030	1200	800	300	61,0	0,288	266	518,5	737	1138	768	1110	740	2	145W
FQ10012030**	1000	1200	300	75,0	0,360	266	320	1076	900	1182	872	1140	1*	145W
FQ10012040**	1000	1200	400	80,0	0,480	366	320	1076	900	1182	872	1140	1*	156W
FQ10014030**	1000	1400	300	85,0	0,420	266	320	1276	900	1382	872	1340	1*	162W
FQ10014040**	1000	1400	400	91,0	0,560	366	320	1276	900	1382	872	1340	1*	162W
FQ12012030**	1200	1200	300	88,0	0,432	266	420	1076	1100	1182	1072	1140	1*	162W
FQ12012040**	1200	1200	400	95,0	0,576	366	420	1076	1100	1182	1072	1140	1*	162W
FQ12014030**	1200	1400	300	100,0	0,504	266	420	1276	1100	1382	1072	1340	1*	162W
FQ12014040**	1200	1400	400	106,0	0,672	366	420	1276	1100	1382	1072	1340	1*	162W
FQ14014040**	1400	1400	400	110,0	0,784	366	520	1276	1300	1382	1272	1340	1*	212W

* N. 3 MULTIPOINT CLOSURE

** ENCLOSURE NOT UL CERTIFIED



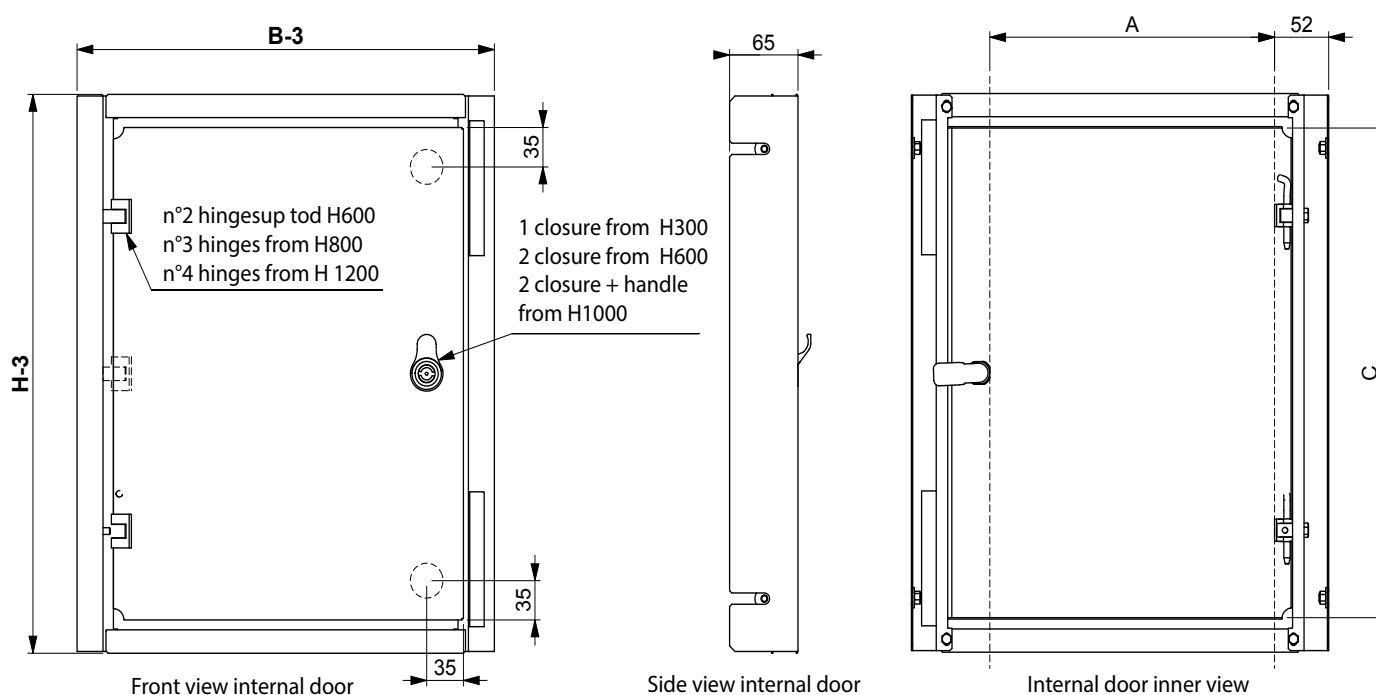
KCS: Internal door

Internal door made of stainless steel with 90 ° opening, hinged on the internal frame and fixed by studs.



* INTERNAL DOOR IS ADJUSTABLE ON DEPTH FROM A MIN. OF 40 MM AND A MAX OF 60 MM , FROM THE OUTER DOOR

Technical drawings





TECHNICAL DETAILS

CODE	Dimensions		Weight Kg	Volume m³	Available area for internal door drilling		N° Locks	N°Hinges
	B	H			A	C		
KCS3030H	300	300	1,80	0,006	170	235	1	2
KCS3040H	300	400	2,30	0,008	170	335	1	2
KCS4040H	400	400	2,80	0,010	270	335	1	2
KCS4050H	400	500	3,50	0,013	270	435	1	2
KCS4060H	400	600	4,20	0,016	270	535	1	2
KCS4545H	450	450	3,50	0,013	320	385	1	2
KCS4560H	450	600	4,50	0,018	320	535	1	2
KCS5050H	500	500	4,40	0,016	370	435	1	2
KCS5070H	500	700	5,50	0,023	370	635	1	2
KCS6040H	600	400	4,00	0,016	470	335	1	2
KCS6045H	600	450	4,50	0,018	470	385	1	2
KCS6060H	600	600	5,50	0,023	470	535	1	2
KCS6080H	600	800	7,50	0,031	470	735	2	3
KCS6090H	600	900	8,00	0,035	470	835	2	3
KCS60100H	600	1000	9,00	0,039	470	935	2*	3
KCS60120H	600	1200	11,00	0,047	470	1135	2*	4
KCS60140H	600	1400	13,50	0,055	435	1335	2*	4
KCS60160H	600	1600	15,50	0,062	435	1535	2*	4
KCS8080H	800	800	10,00	0,042	670	735	2	3
KCS80100H	800	1000	11,50	0,052	670	935	2*	3
KCS80120H	800	1200	13,50	0,062	670	1135	2*	4
KCS80140H	800	1400	16,50	0,073	635	1335	2*	4
KCS80160H	800	1600	19	0,083	635	1535	2*	4
KCS8060H	800	600	7,50	0,031	670	535	1	2
KCS5060H	500	600	5,00	0,019	370	470	1	2

* 2 CLOSURES + HANDLE



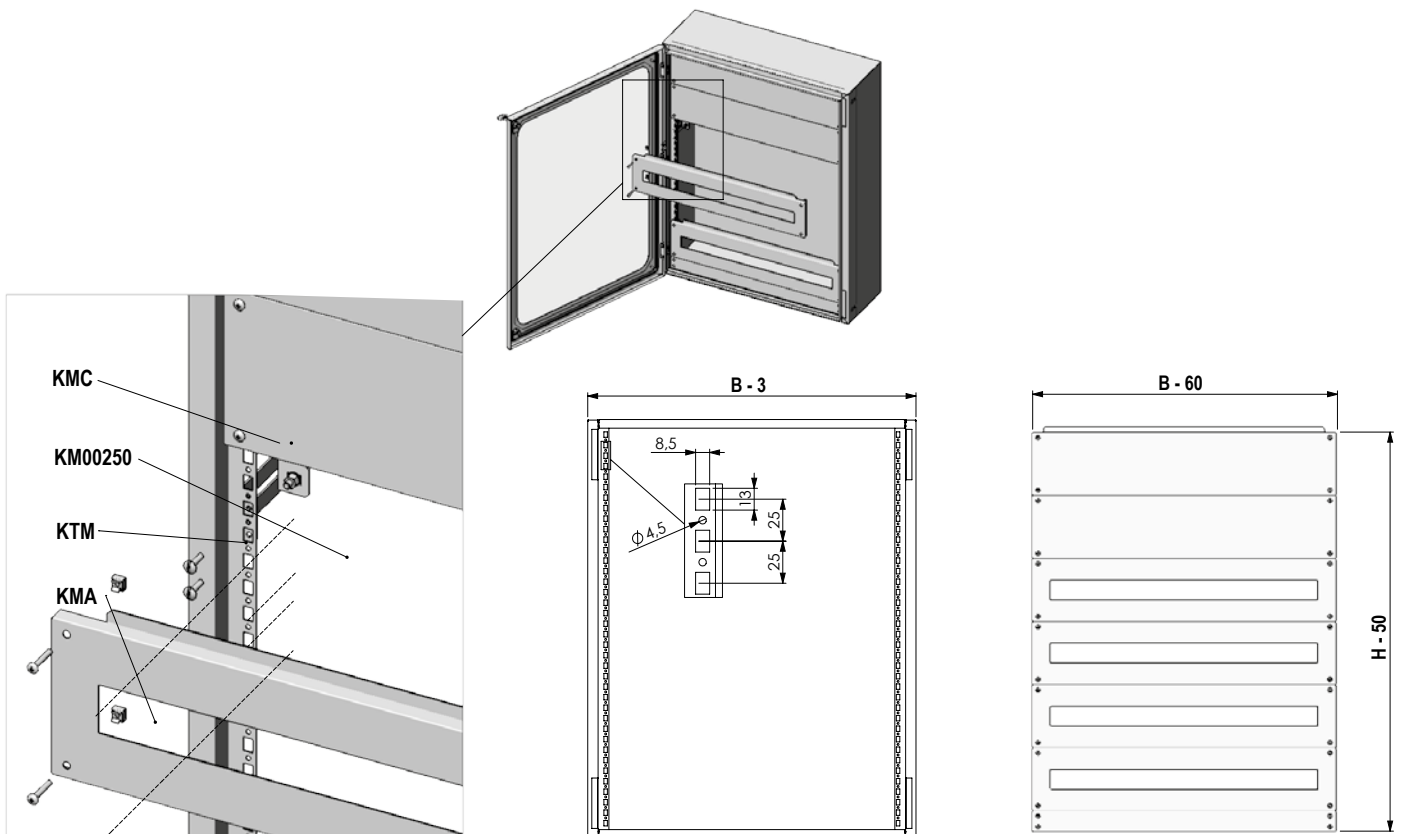
KTM: Modular frame and modular panels

Modular frame kit, made of profiles, to fix modular equipment.



* Frame adjustable in depth from a minimum of 40mm to a maximum of 60mm from the outer door.

Technical drawings





TECHNICAL DETAILS

CODE	Description	Dimensions		Weight Kg	Modular panels Nr.
		B	H		
KTM4050H	Modular kit for smart series	397	497	1,68	3
KTM5060H	Modular kit for smart series	497	597	2,30	3+2*
KTM6060H	Modular kit for smart series	597	597	2,91	3+2*
KTM6090H	Modular kit for smart series	597	897	3,22	5+2*
KTM60100H	Modular kit for smart series	597	997	4,15	6+1*
KTM80100H	Modular kit for smart series	797	997	4,50	6+1*
KTM80120H	Modular kit for smart series	797	1197	4,76	7+2*

* SOLID PANEL H50 FOR TERMINAL BLOCK

TECHNICAL DETAILS

CODE	Description	Dimensions		Weight Kg	Modular panels Nr.
		B	H		
KMA4015H	Modular open panel kit for smart series	340	150	0,60	15
KMA5015H	Modular open panel kit for smart series	440	150	0,70	20
KMA6015H	Modular open panel kit for smart series	540	150	0,80	26
KMA8015H	Modular open panel kit for smart series	740	150	1,00	37
KMC4015H	Modular open panel kit for smart series	340	150	0,65	-
KMC5015H	Modular open panel kit for smart series	440	150	0,75	-
KMC6015H	Modular open panel kit for smart series	540	150	0,90	-
KMC8015H	Modular open panel kit for smart series	740	150	1,10	-
KMC405H	Modular open panel kit for smart series	340	50	0,25	-
KMC505H	Modular open panel kit for smart series	440	50	0,35	-
KMC605H	Modular open panel kit for smart series	540	50	0,45	-
KMC805H	Modular open panel kit for smart series	740	50	0,60	-
KM00250	Fixing kit on DIN rail	-	-	0,20	-

ON REQUEST AISI 316L

CHANGE THE LAST LETTER OF THE CODE:

H = AISI 304L (standard)

L = AISI 316L



PPS: Doors profiles

Kit of crossbars to fix devices on the inner door



TECHNICAL DETAILS

CODE	Description	Supports drilling distance	N. Holes
		H	N.
PPS40G	Door profile series smart H	320	11
PPS45G	Door profile series smart H	370	15
PPS50G	Door profile series smart H	420	19
PPS60G	Door profile series smart H	520	27
PPS70G	Door profile series smart H	620	35
PPS80G	Door profile series smart H	720	43
PPS90G	Door profile series smart H	820	51
PPS100G	Door profile series smart H	920	59
PPS120G	Door profile series smart H	1120	72
PPS140G	Door profile series smart H	1320	91
PPS160G	Door profile series smart H	1520	107



FGS: Cable gland flange

Stainless steel plate with polyurethane gasket, suitable for cable gland installation.

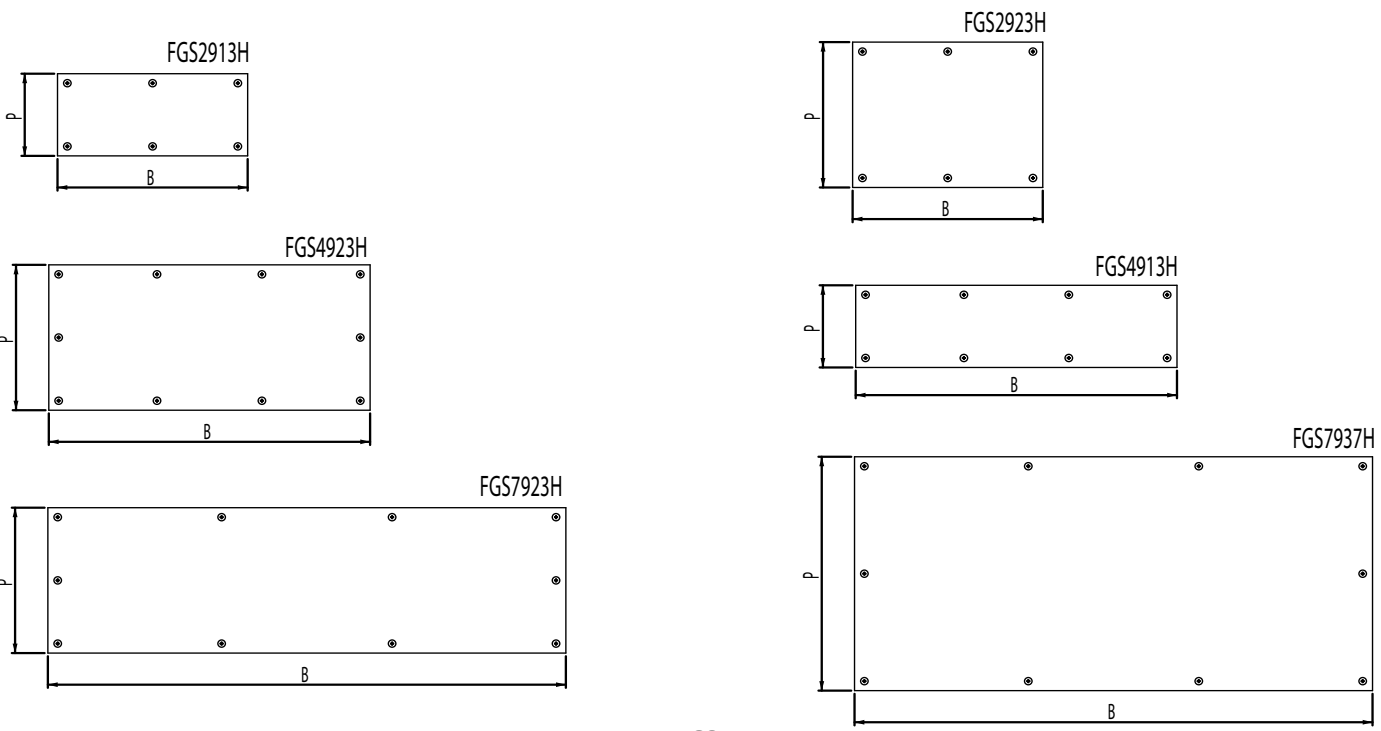


Smart Enclosure

On request AISI 316L
 Change the last letter of the code:
 H = AISI 304L (standard)
 L = AISI 316L

TECHNICAL DETAILS				
CODE	Dimensions		Enclosure Dimensions	
	B	P	B	P
FGS2913H	290	130	≥ 300 A < 500	DA 210 A 250
FGS2923H	290	230	≥ 300 A < 500	DA 300 A 400
FGS4913H	490	130	≥ 500 A < 800	DA 210 A 250
FGS4923H	490	230	≥ 500 A < 800	DA 300 A 400
FGS7923H	790	230	≥ 800 A < 1000	300
FGS7937H	790	360	≥ 800 A < 1000	400

Technical drawings





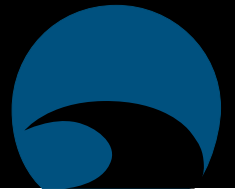
TPS: Rain canopy

In outdoor settings , to ensure greater protection from atmospheric agents, it is possible to provide a canopy, fixed to the structural frame by means of fasteners . Made of AISI 304L or, on request , made of AISI 316L.

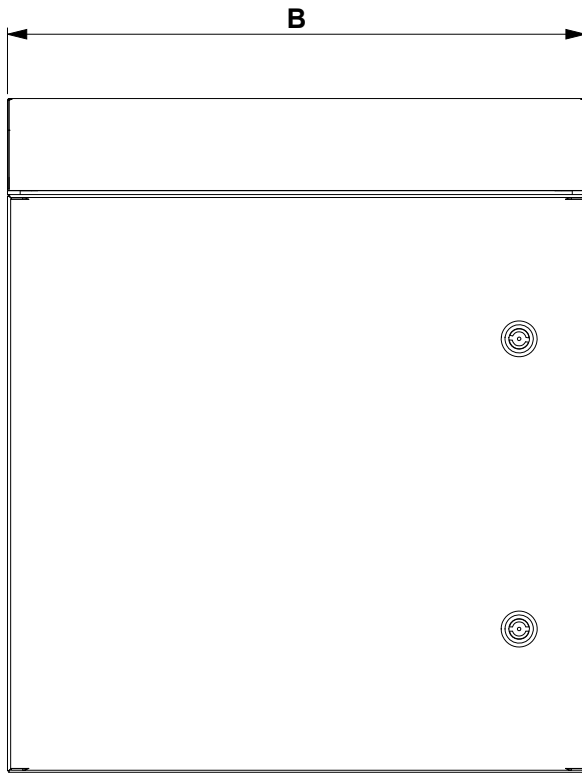


TECHNICAL DETAILS

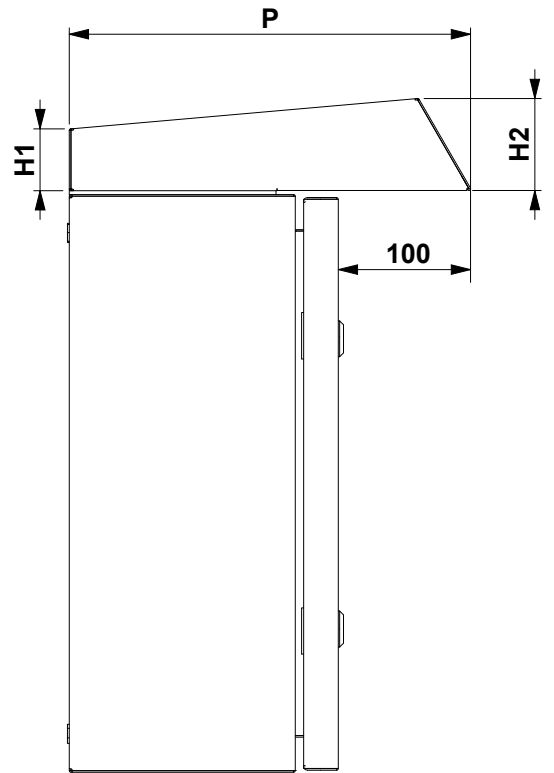
CODE	Dimensions				Weight	Volume
	B	H1	H2	P		
TPS2015	200	48	72	250	1,38	0,003
TPS3015	300	48	72	250	1,81	0,005
TPS3021	300	48	72	310	2,14	0,006
TPS4015	400	48	72	250	2,25	0,006
TPS4021	400	48	72	310	2,65	0,007
TPS4025	400	48	72	350	2,92	0,008
TPS4521	450	48	72	310	2,91	0,008
TPS4525	450	48	72	350	3,20	0,009
TPS5021	500	48	72	310	3,16	0,009
TPS5025	500	48	72	350	3,48	0,011
TPS6021	600	48	72	310	3,68	0,011
TPS6025	600	48	72	350	4,05	0,013
TPS6030	600	48	72	400	4,51	0,014
TPS6040	600	48	72	500	5,44	0,018
TPS8030	800	48	72	400	5,77	0,019
TPS8040	800	48	72	500	6,96	0,024
TPS10030	1000	48	72	400	7,04	0,024
TPS10040	1000	48	72	500	8,48	0,030
TPS12030	1200	48	72	400	8,30	0,029
TPS12040	1200	48	72	500	10,00	0,036
TPS14040	1400	48	72	500	11,52	0,042



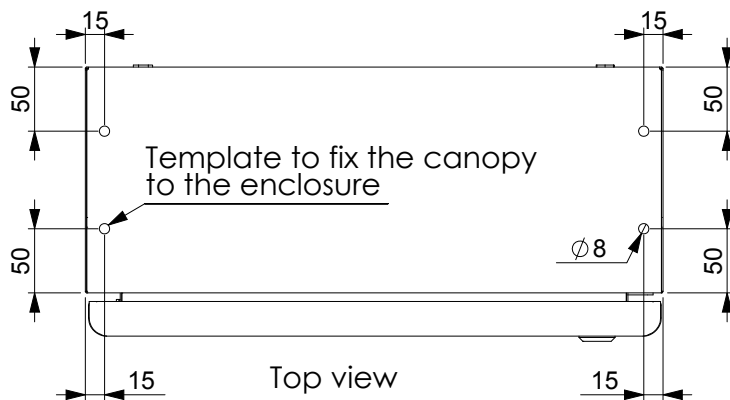
Technical drawings



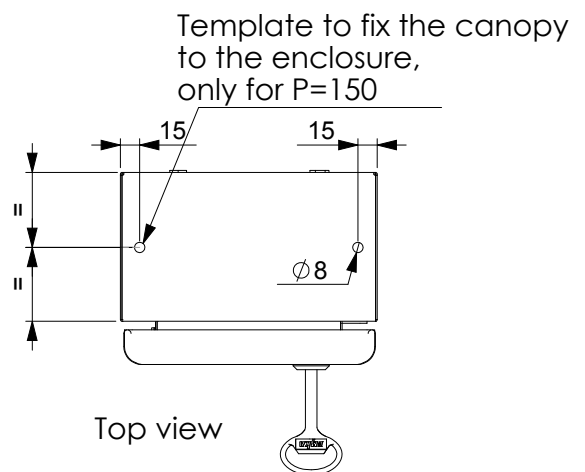
Front view



Side view



Top view



Top view





KMG: Gas spring kit

Gas spring to keep the door open, avoiding accidental closures during operations



TECHNICAL DETAILS

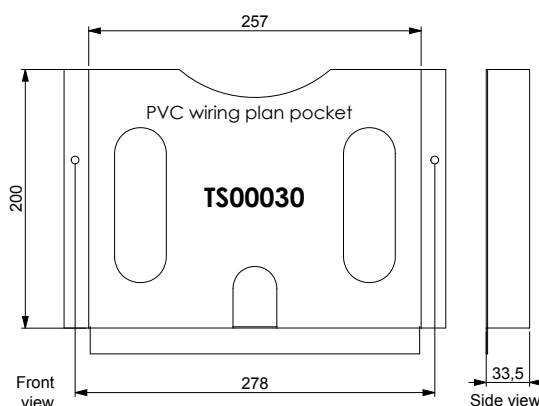
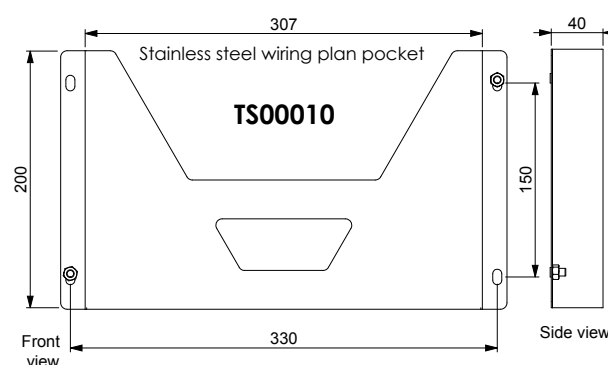
CODE	Description
KMG00005	5 KG gas spring kit
KMG00010	10 KG gas spring kit
KMG00015	15 KG gas spring kit
KMG00020	20 KG gas spring kit

TS: Wiring plan pocket

Internal pockets suitable for document archiving. Available in steel and PVC.



Technical drawings





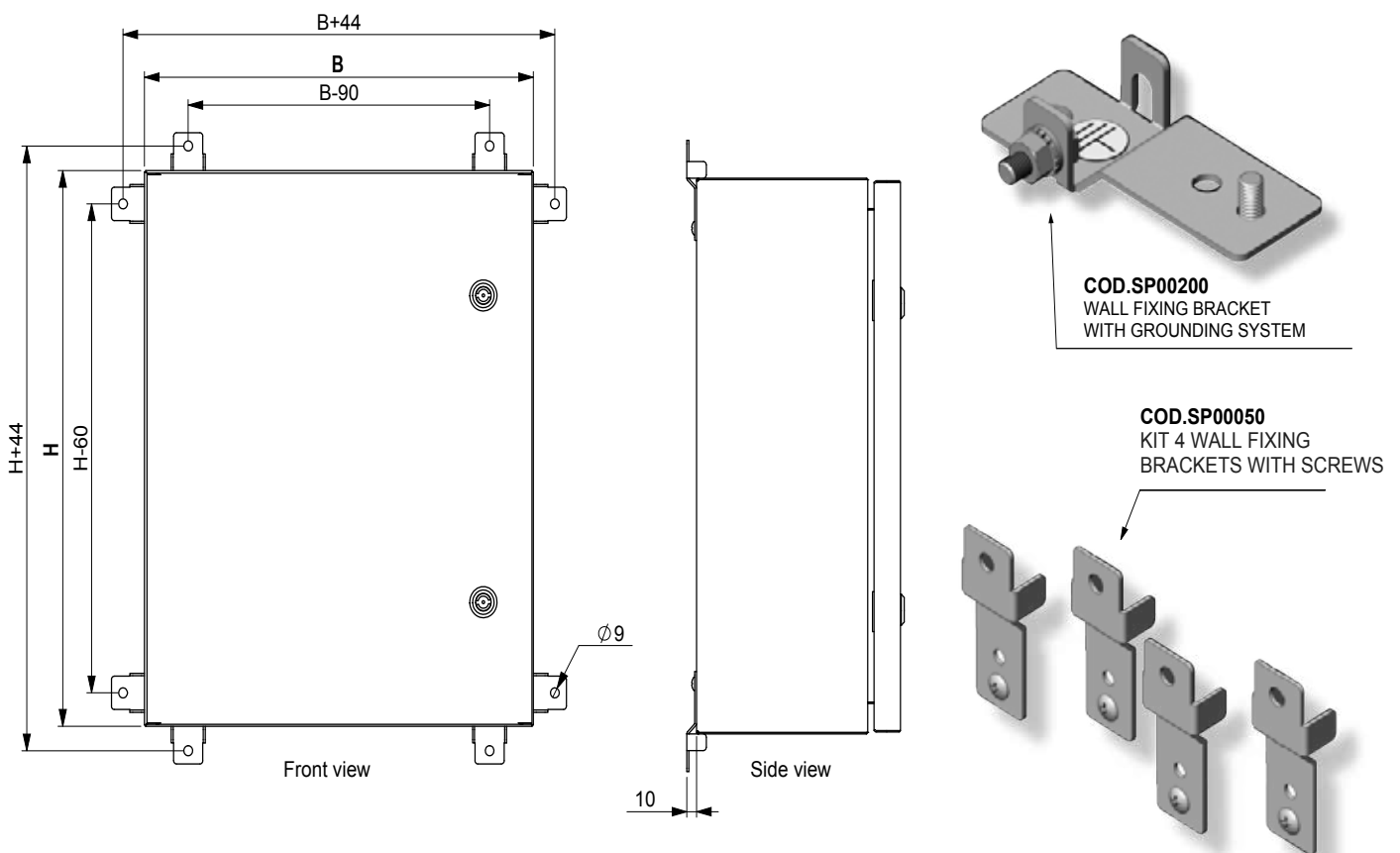
SP: Wall fixing brackets

Wall mounting kit including screws and brackets.



Smart
Enclosure

Technical drawings

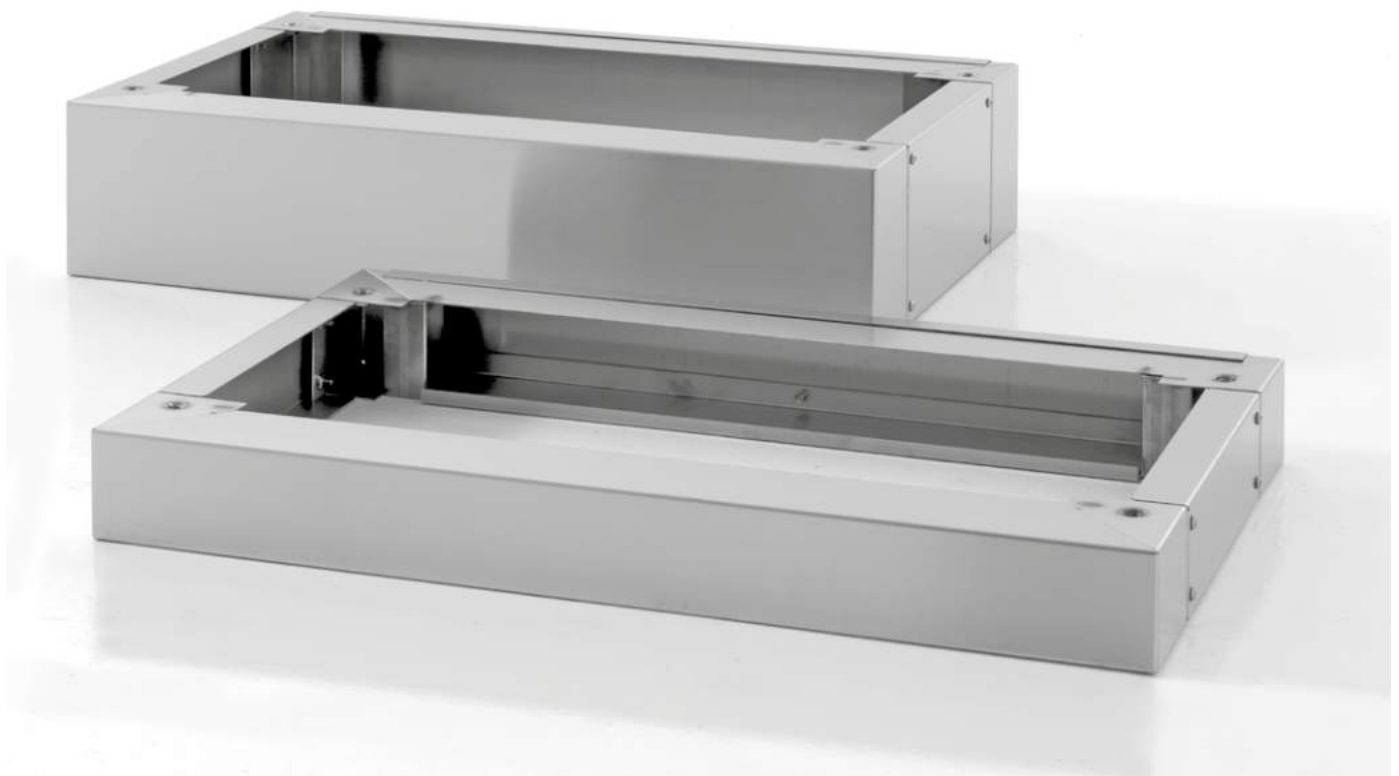




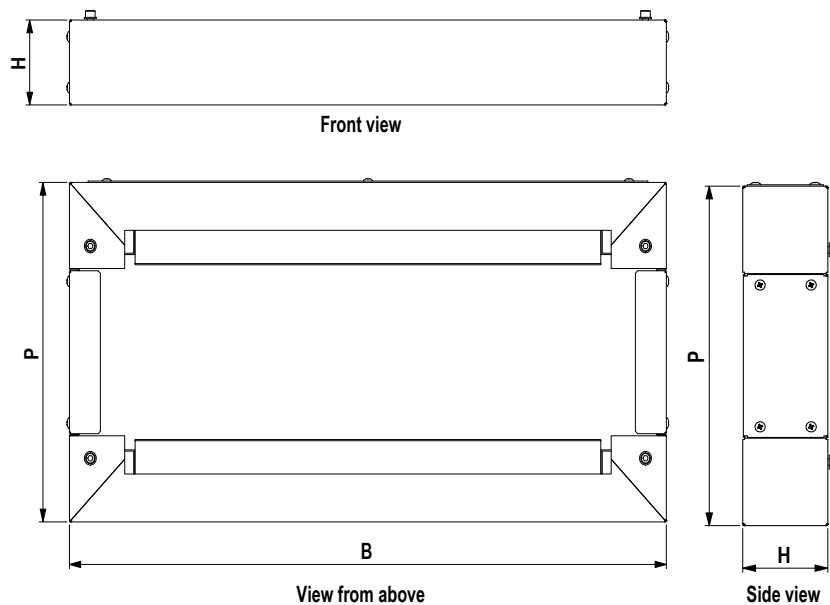
FZQ: Plinth

The FZQ3 plinth is made of stainless steel, to provide a floor mounting.

Heights can be: H100 or H200mm. The plinth can be inspected on the sides with openings on the bottom. In very adverse settings, where maximum protection from atmospheric agents is required, the FZQ3 S version is a hygienic plinth with a closed bottom that can be installed for H100 and H200mm sizes; can be inspected through flanged sides.



Technical drawings





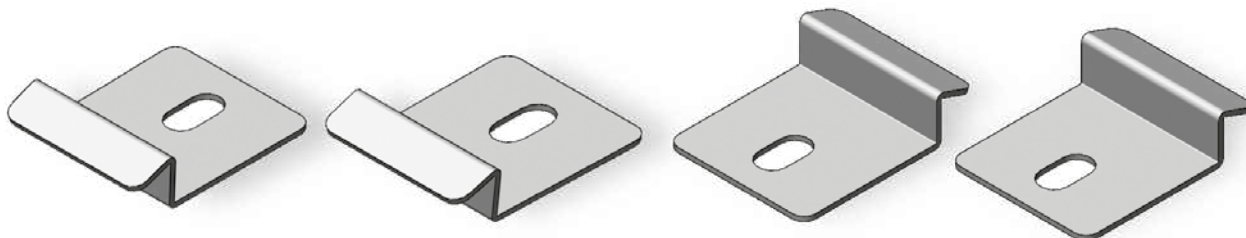
TECHNICAL DETAILS

CODE	Dimensions		
	B	H	P
FZQ3601030	600	100	300
FZQ3601040	600	100	400
FZQ3801030	800	100	300
FZQ3801040	800	100	400
FZQ31001030	1000	100	300
FZQ31001040	1000	100	400
FZQ31201030	1200	100	300
FZQ31201040	1200	100	400
FZQ3602030	600	200	300
FZQ3602040	600	200	400
FZQ3802030	800	200	300
FZQ3802040	800	200	400
FZQ31002030	1000	200	300
FZQ31002040	1000	200	400
FZQ31202030	1200	200	300
FZQ31202040	1200	200	400

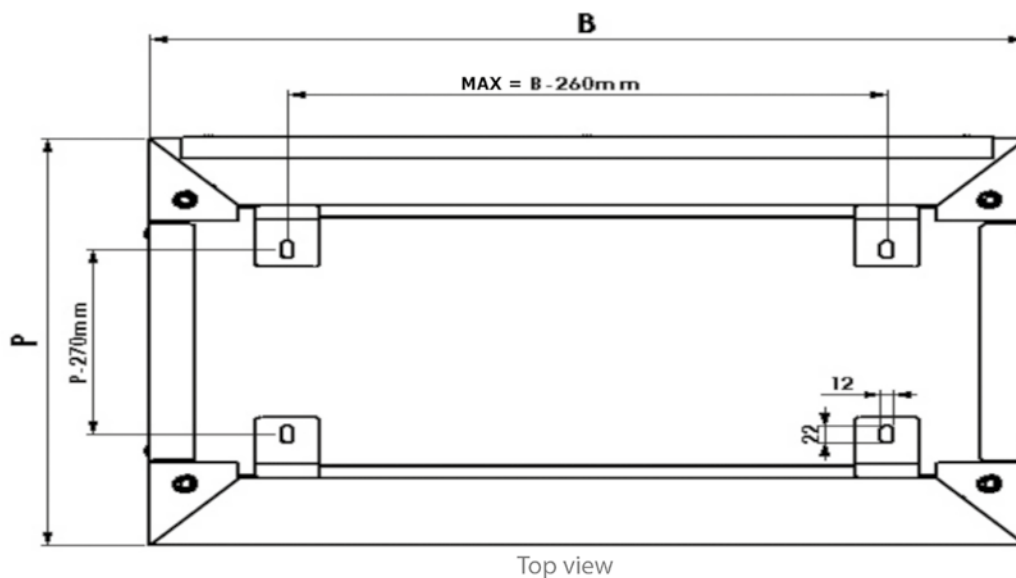
Smart
Enclosure

KFZP: Floor plinth fixing kit

The KFZP Kit cannot be mounted when the plinth has a FZ ... S hygienic base, so anchors should be used for these plinths.



Technical drawings





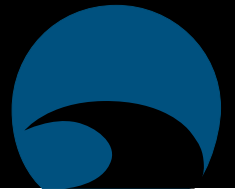
PP/PPT: Protection-inspection windows

Used to assure protection of the controls, the PPT windows are provided with a stainless steel frame, with direct fixing of the PP windows. The doors of the windows have a glued lexan on the door, as well as a sealing gasket and a Yale lock wing type.



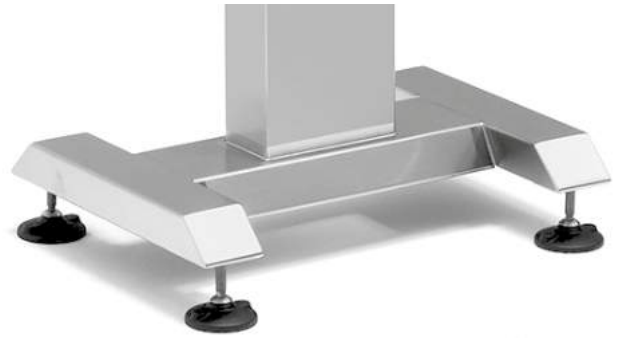
TECHNICAL DETAILS

CODE	Description	Dimensions		
		B	H	P
PP300300	Window with direct fixing	300	300	55
PP400400	Window with direct fixing	400	400	55
PP450450	Window with direct fixing	450	450	55
PP500500	Window with direct fixing	500	500	55
PP500750	Window with direct fixing	500	750	55
PP600800	Window with direct fixing	600	800	55
PPT400400	Window with frame	400	400	95
PPT450450	Window with frame	450	450	95
PPT500500	Window with frame	500	500	95
PPT500750	Window with frame	500	750	95
PPT600800	Window with frame	600	800	95



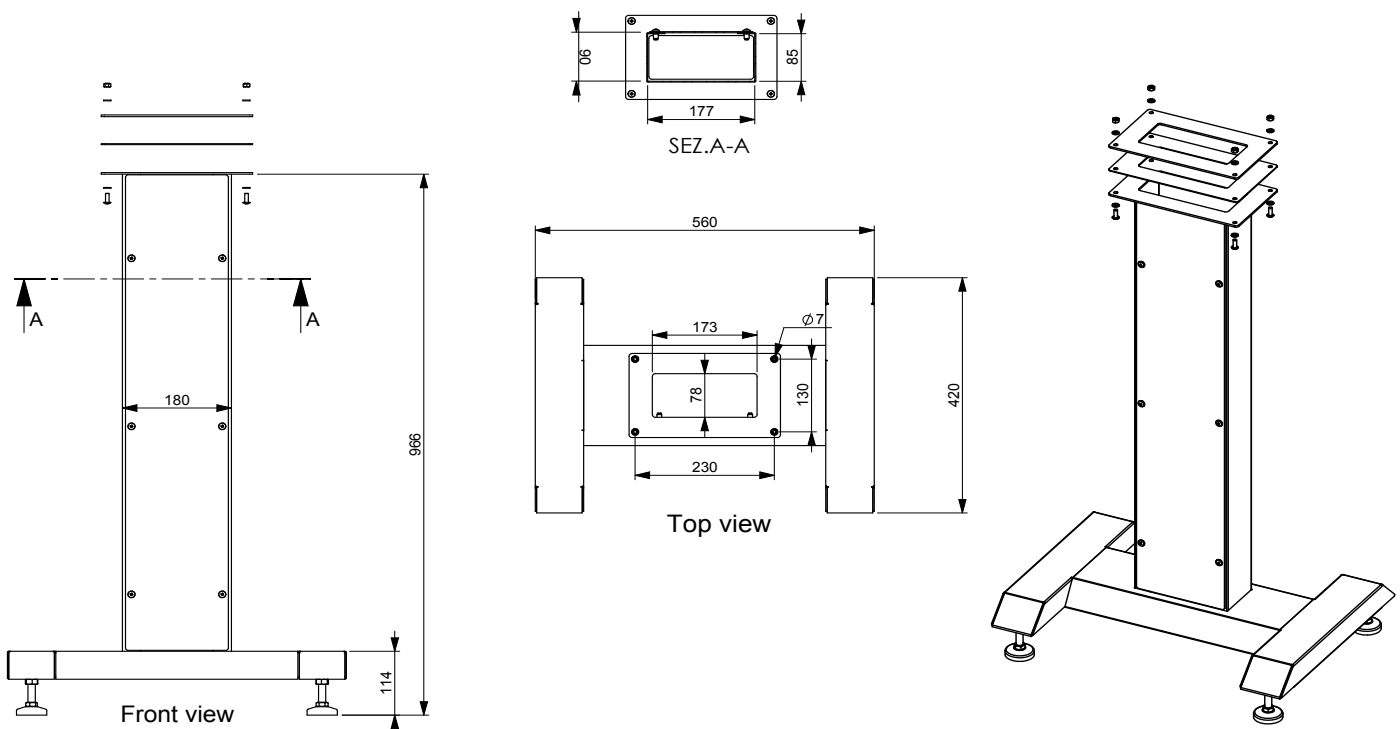
Pedestal for Smart Series PDP00020

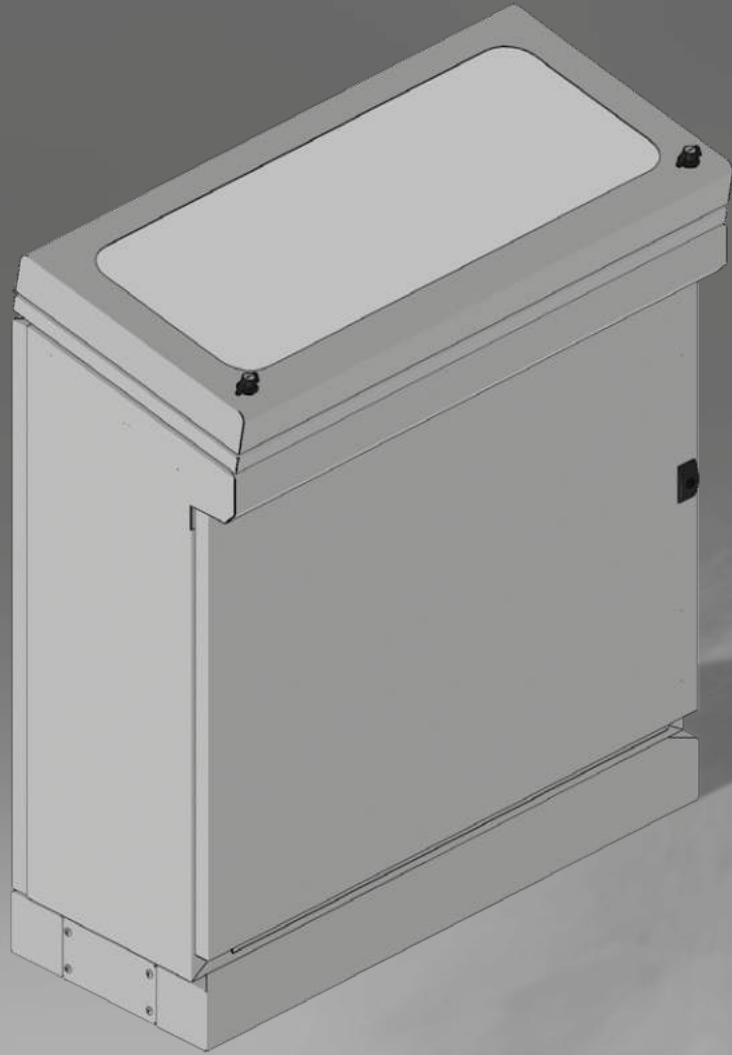
Floor support including a base for floor fixing, a rectangular profile column, with a rear opening for cables passage.



Smart
Enclosure

Technical drawings





LOGGEX



FL Series: Console Systems with 1 door

The FL range of console systems are made in stainless steel and provided in compliance with the most recent international standards, with completely innovative construction design, performing solidity, protection and cleanliness. Available with 1 door configuration up to L1000mm. The IP66 protection rating, the removable and replaceable rear side with a door and the scotch-brite finishing are among the main characteristics of the FL series, being therefore the ideal solution for applications in aggressive settings typical of the food, chemical, pharmaceutical or outdoor applications.

Of course it is possible to supply tailormade consoles in accordance to customer needs.





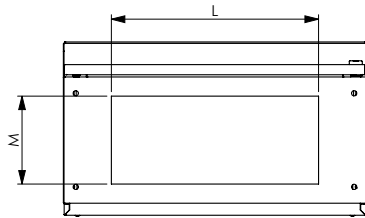
DEGREE OF PROTECTION AND REFERENCE STANDARDS

IP66 IK10

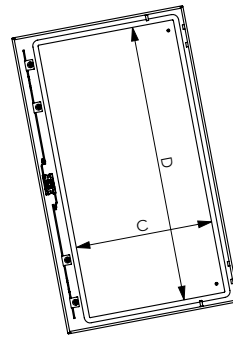
89/392/EEC

EN 62208 : 2011

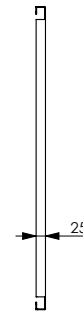
EN 60529/09.200 - EN 50102/05.96



Bottom view

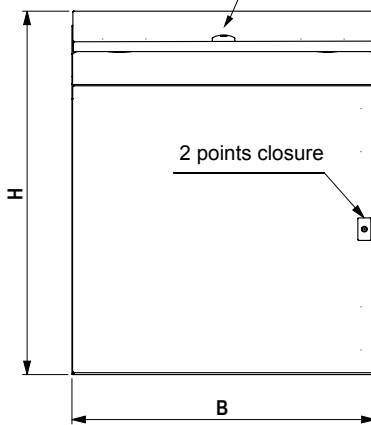


Internal view Inclined plane

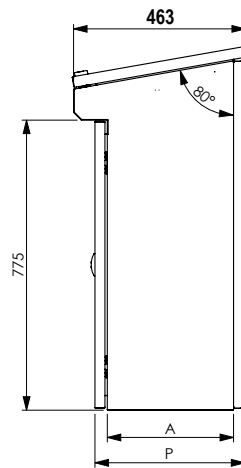


Side view mounting plate

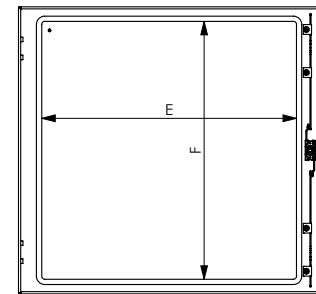
Closure 2 points



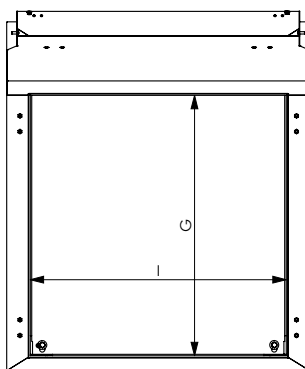
Front view



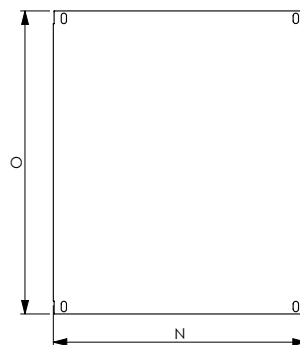
Side view



Internal door



Front view without door



Mounting plate

TECHNICAL DETAILS

CODE	Dimensions			Weight	Vol.	Available area for door drilling		Available width for side drilling	Available area for bottom cable entry		Available area for inclined side drilling		Front Cabinet Accessible area		Mounting plate	
	B	H	P			E	F		A	L	M	D	C	I	G	N
FL609140	600	971	400	60,0	0,233	480	689	337	353	235	540	365	484	696	476	810
FL809140	800	971	400	70,0	0,311	680	689	337	553	235	740	365	684	696	676	810
FL1009140	1000	971	400	85,0	0,388	880	689	337	753	235	940	365	884	696	876	810



FL Series: Console with 2 doors

The FL range of console systems are made in stainless steel and provided in compliance with the most recent international standards, with completely innovative construction design, performing solidity, protection and cleanliness. Available with 2 door configuration, width from 1200mm up to 2000mm. The IP55 protection rating, the removable and replaceable rear side with a door and the scotch-brite finishing are among the main characteristics of the FL series, being therefore the ideal solution for applications in aggressive settings typical of the food, chemical, pharmaceutical or outdoor applications. **Of course it is possible to supply tailormade consoles in accordance to customer needs**





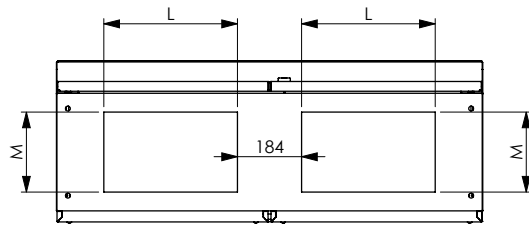
DEGREE OF PROTECTION AND REFERENCE STANDARDS

IP55 IK10

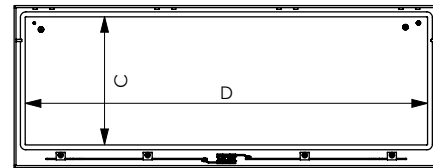
89/392/EEC

EN 62208 : 2011

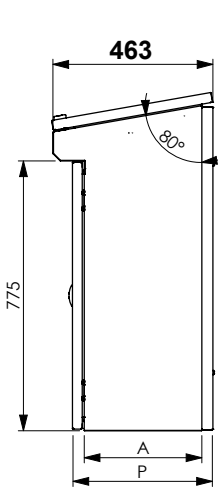
EN 60529/09.200 - EN 50102/05.96



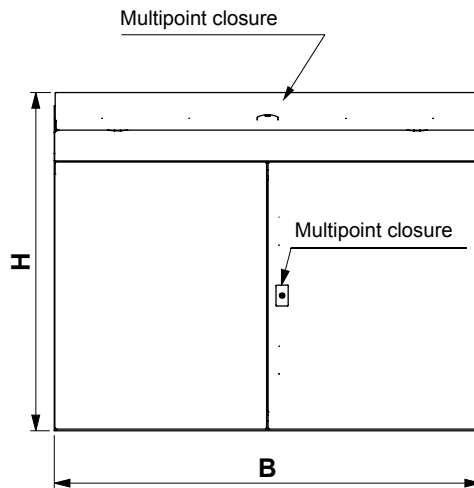
Bottom view



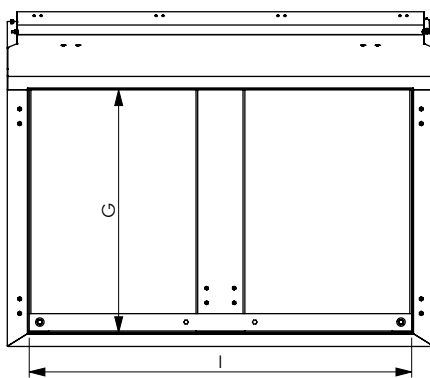
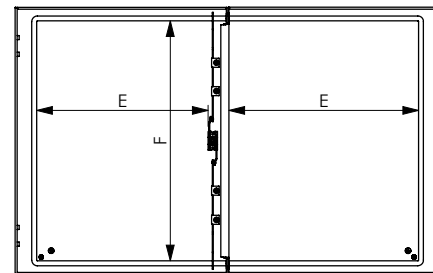
Inclined side



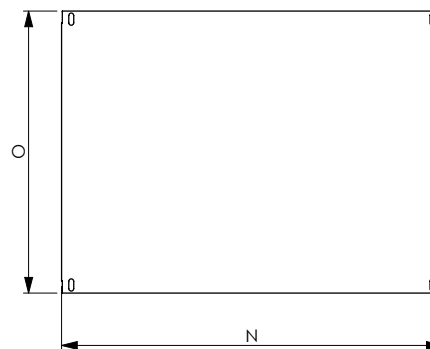
Side view



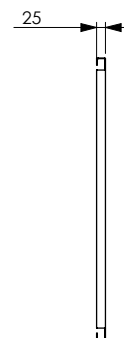
Internal doors view



Front view without doors



Mounting plate



Side view mounting plate

TECHNICAL DETAILS

CODE	Dimensions			Weight Kg	Vol. m ³	Available area for right and left door drilling		Available width for side drilling A	Available area for bottom cable entry, left and right		Available area for incline side drilling		Front cabinet accessible area		Mounting plate	
	B	H	P			E	F		L	M	D	C	I	G	N	O
FL1209140	1200	971	400	105,0	0,466	492	689	337	384	235	1140	365	1098	696	1093	810
FL1609140	1600	971	400	130,0	0,621	692	689	337	584	235	1540	365	1498	696	1493	810
FL2009140	2000	971	400	160,0	0,777	892	689	337	784	235	1940	365	1898	696	1893	810



FLS Series: Top Control Console Systems

The FLS series of top control console systems are made in stainless steel and provided in compliance with the most recent international standards, with completely innovative construction design, performing solidity, protection and cleanliness. The IP55 protection rating, the removable and replaceable rear side with a door and the scotch-brite finishing are among the main characteristics of the FLS series, being therefore the ideal solution for applications in aggressive settings typical of the food, chemical, pharmaceutical or outdoor applications. **Of course it is possible to supply tailor-made consoles in accordance to customer needs.**



TECHNICAL DETAILS

CODE	Dimensions			Weight	Volume
	B	H	P	Kg	m ³
FLS8013085	800	1300	500	120,0	0,520
FLS10013085	1000	1300	500	140,0	0,650
FLS12013085	1200	1300	500	155,0	0,780
FLS16013085	1600	1300	500	180,0	1,040
FLS20013085	2000	1300	500	220,0	1,300
FLS8015095	800	1500	600	135,0	0,720
FLS10015095	1000	1500	600	170,0	0,900
FLS12015095	1200	1500	600	190,0	1,080
FLS16015095	1600	1500	600	240,0	1,440
FLS20015095	2000	1500	600	300,0	1,800



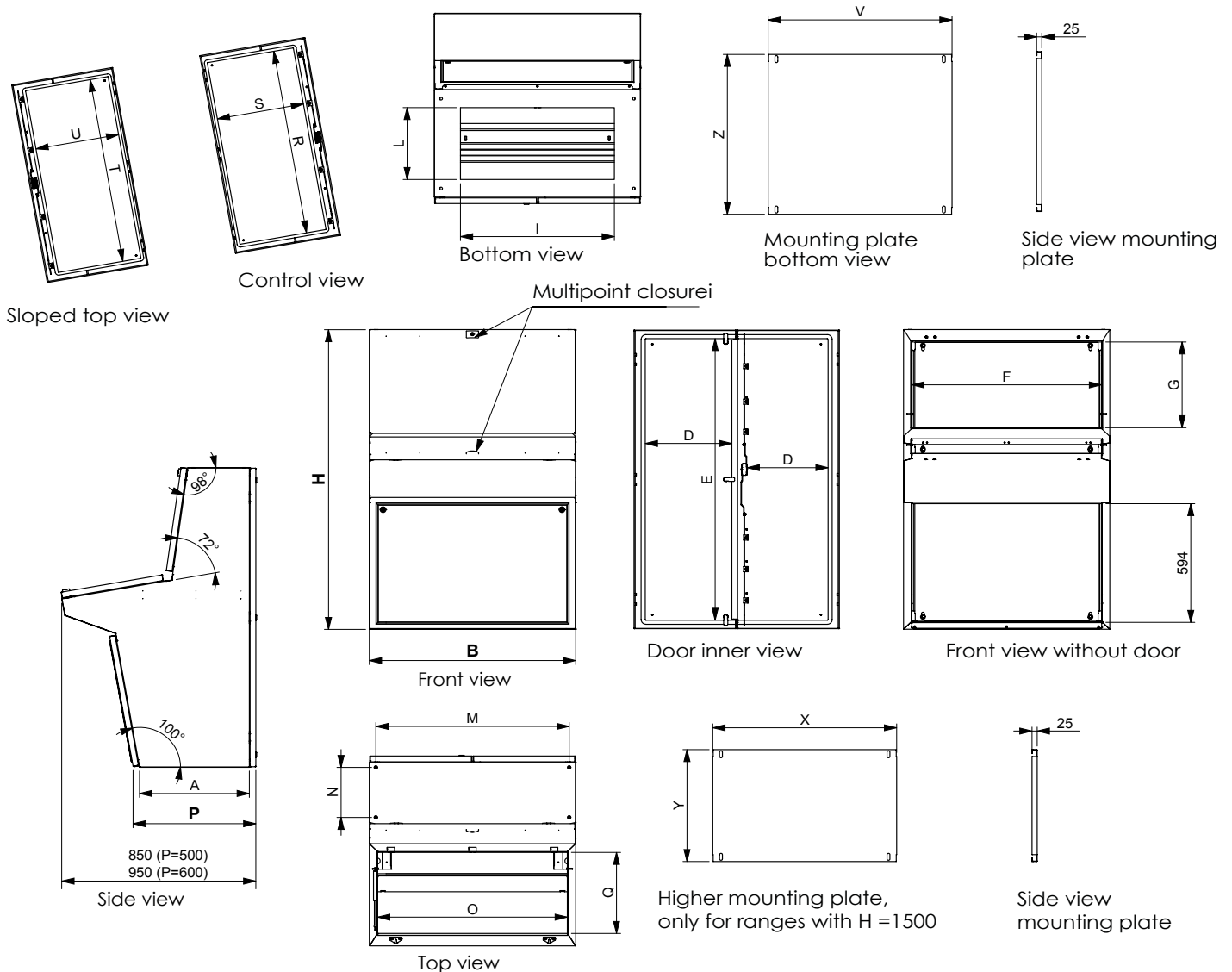
DEGREE OF PROTECTION AND REFERENCE STANDARDS

IP55 IK10

89/392/EEC

EN 62208 : 2011

EN 60529/09.200 - EN 50102/05.96



Logex
Console

TECHNICAL DETAILS

CODE	Available area for door drilling		Available width for side drilling	Available area for bottom cable entry		Available area for incline side drilling		Available area for control side drilling		Accessible area of control desk		Accessible area for incline side		Eyebolts distance		Lower mounting plate		Higher mounting plate	
	D	E		A	I	L	T	U	R	S	F	G	O	Q	M	N	V	Z	X
FLS8013085	280	1210	437	553	260	720	380	720	220	729	239	729	393	747	200	700	800	-	-
FLS10013085	380	1210	437	753	260	920	380	920	220	929	239	929	393	947	200	900	800	-	-
FLS12013085	480	1210	437	400*2	260	1120	380	1120	220	1129	239	1129	393	1047	200	1100	800	-	-
FLS16013085	680	1210	437	600*2	260	1520	380	1520	220	1529	239	1529	393	1447	200	1500	800	-	-
FLS20013085	880	1210	437	800*2	260	1920	380	1920	220	1929	239	1929	393	1847	200	1900	800	-	-
FLS8015095	280	1410	537	553	360	720	410	720	420	729	435	729	415	747	250	700	800	700	560
FLS10015095	380	1410	537	753	360	920	410	920	420	929	435	929	415	947	250	900	800	900	560
FLS12015095	480	1410	537	400*2	360	1120	410	1120	420	1129	435	1129	415	1047	250	1100	800	1100	560
FLS16015095	680	1410	537	600*2	360	1520	410	1520	420	1529	435	1529	415	1447	250	1500	800	1500	560
FLS20015095	880	1410	537	800*2	360	1920	410	1920	420	1929	435	1929	415	1847	250	1900	800	1900	560



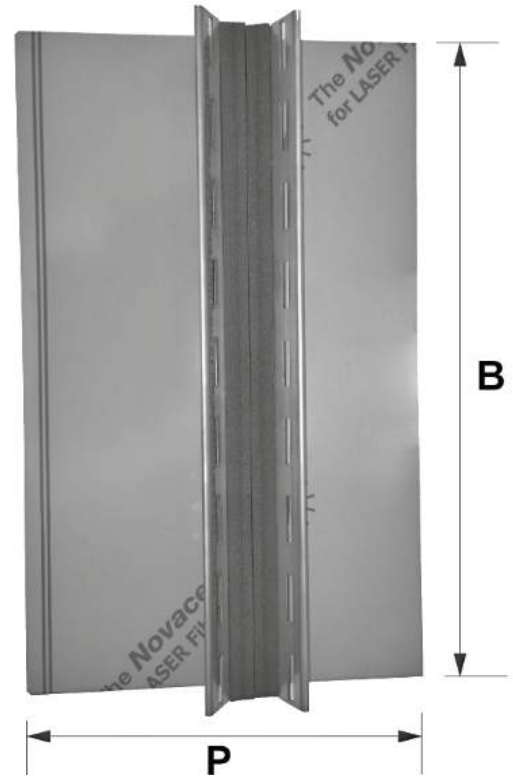
FGL: Double entry flange

As an alternative to the standard cable gland plate, is available a double entry flange, made in two parts with a sealing gasket, which makes easier the cable entry. Its use is recommended in combination with the hygienic base. They are made of AISI 304L or AISI 316L.

TECHNICAL DETAILS

CODE	Description	Dimensions	
		B	P
FLG6040C	Double entry flange FC	390	250
FLG8040C	Double entry flange FC	590	250
FLG10040C	Double entry flange FC	790	250
FLG12040C*	Double entry flange FC	435	250
FLG16040C*	Double entry flange FC	635	250
FLG20040C*	Double entry flange FC	835	250
FLG6050C	Double entry flange FC	390	350
FLG6060C	Double entry flange FC	390	450
FLG8050C	Double entry flange FC	590	350
FLG8060C	Double entry flange FC	590	450
FLG10050C	Double entry flange FC	790	350
FLG10060C	Double entry flange FC	790	450
FLG12050C*	Double entry flange FC	435	350
FLG12060C*	Double entry flange FC	435	450
FLG16050C*	Double entry flange FC	635	350
FLG16060C*	Double entry flange FC	635	450
FLG20050C*	Double entry flange FC	835	350
FLG20060C*	Double entry flange FC	835	450

* 2 pieces must be ordered

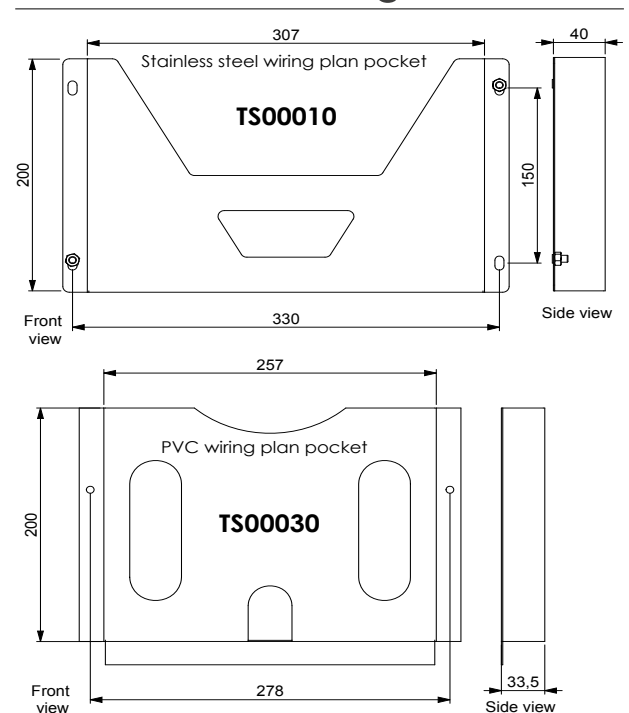


TS: Wiring plan pocket

Internal pockets suitable for document archiving. Available in steel and PVC



Technical drawings

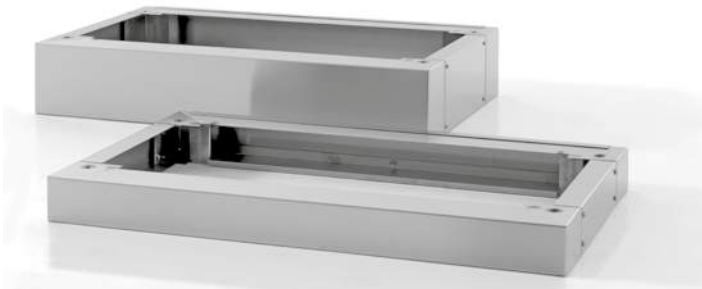




FZ: Plinth

The FZ plinth is made of stainless steel, to provide a floor mounting.

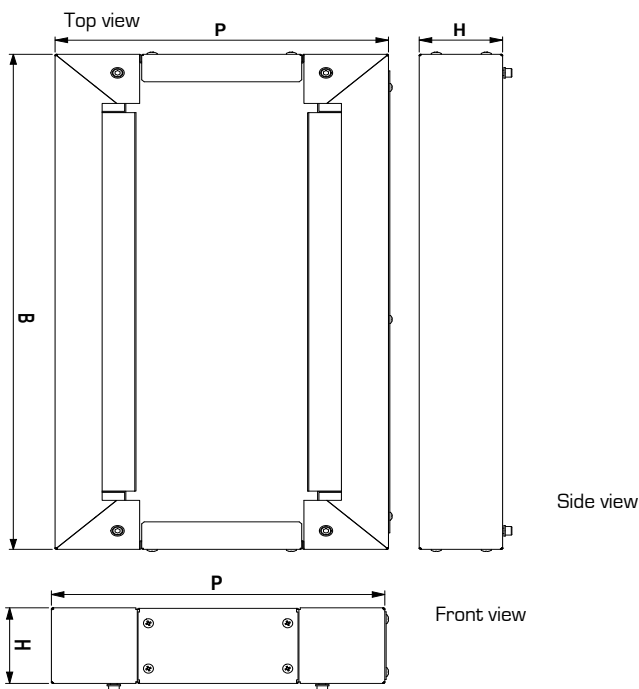
Heights can be: H100 or H200mm. The plinth can be inspected on the sides with openings on the bottom. In very adverse settings, where maximum protection from atmospheric agents is required, the H100 and H200 sizes can be installed with the hygienic FZ3.S plinth with closed bottom; can be inspected through flanged sides.



TECHNICAL DETAILS

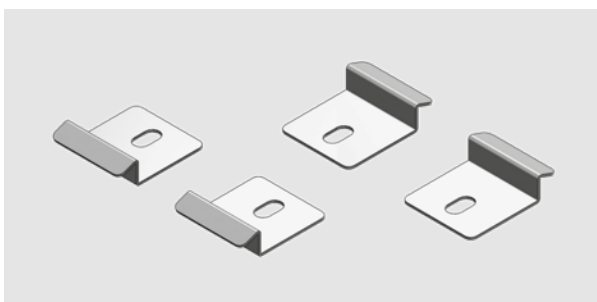
CODE	Dimensions		
	B	H	P
FZ3601040	600	100	400
FZ3801040	800	100	400
FZ3801050	800	100	500
FZ3801060	800	100	600
FZ31001040	1000	100	400
FZ31001050	1000	100	500
FZ31001060	1000	100	600
FZ31201040	1200	100	400
FZ31201050	1200	100	500
FZ31201060	1200	100	600
FZ31601040	1600	100	400
FZ31601050	1600	100	500
FZ31601060	1600	100	600
FZ32001040	2000	100	400
FZ32001050	2000	100	500
FZ32001060	2000	100	600
FZ3602040	600	200	400
FZ3802040	800	200	400
FZ3802050	800	200	500
FZ3802060	800	200	600
FZ31002040	1000	200	400
FZ31002050	1000	200	500
FZ31002060	1000	200	600
FZ31202040	1200	200	400
FZ31202050	1200	200	500
FZ31202060	1200	200	600
FZ31602040	1600	200	400
FZ31602050	1600	200	500
FZ31602060	1600	200	600
FZ32002040	2000	200	400
FZ32002050	2000	200	500
FZ32002060	2000	200	600

Technical drawings

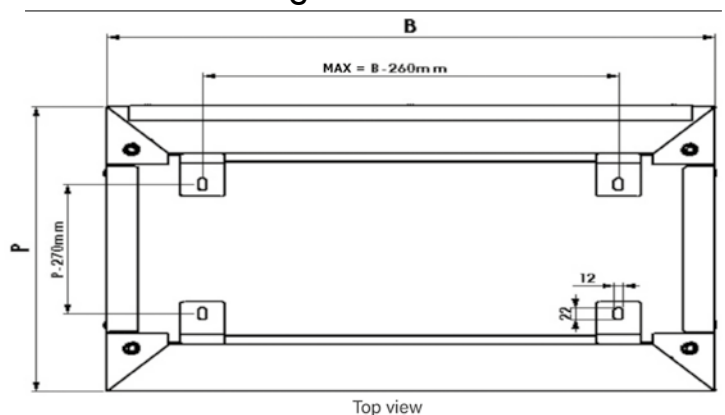


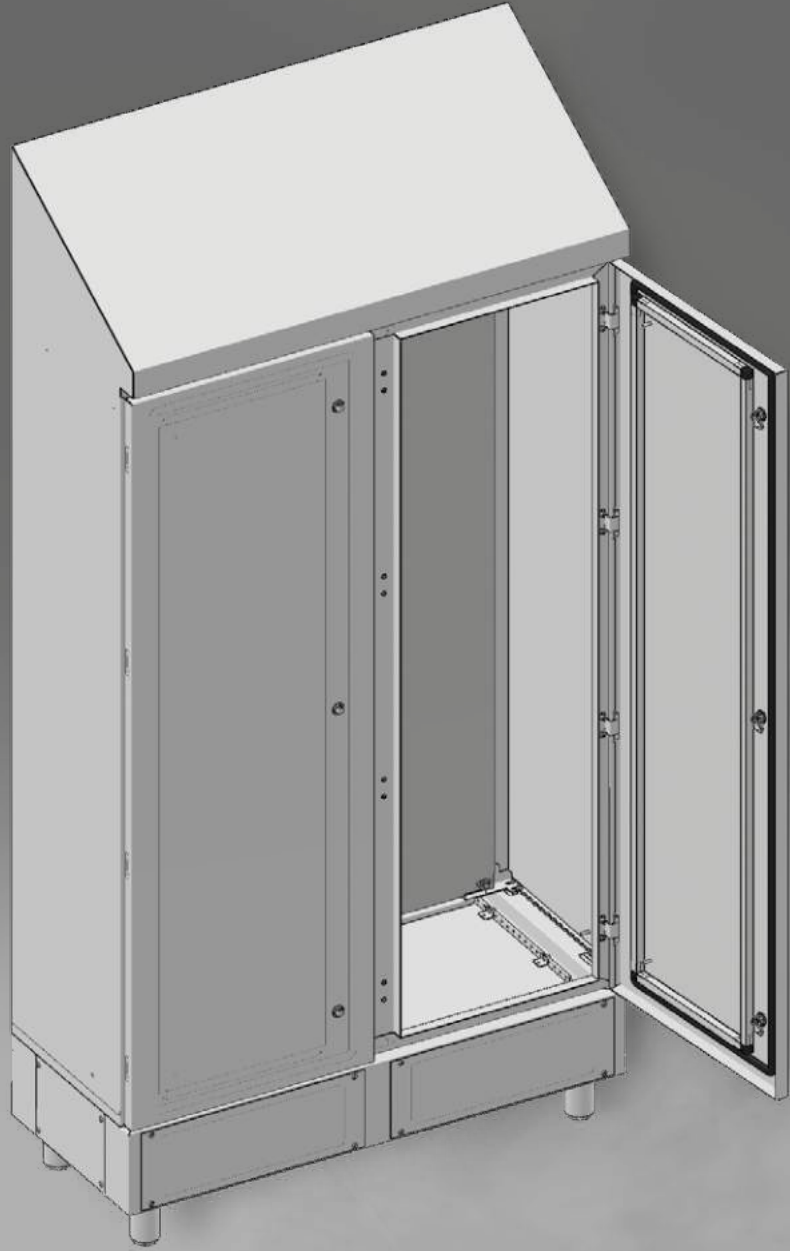
KFZP: Plinth fixing kit

The KFZP Kit cannot be used when the plinth is mounted on a FZ ... S hygienic base. For these plinths use the feet anchors.



Technical drawings







COMPACT



FC Series: Compact stainless steel cabinet - 1 door IP66

The FC Compact series of stainless steel cabinets has been manufactured in compliance with the most recent international standards, with completely innovative construction design, performing solidity, protection and cleanliness. Available in single or double door configuration. The removable and replaceable rear side with a door and the scotch-brite finishing are among the main characteristics of the FL series, being therefore the ideal solution for applications in aggressive settings typical of the food, chemical, pharmaceutical or outdoor applications. **Of course it is possible to supply tailor-made cabinets in accordance to customers needs.** Doors with transparent 3 + 3mm safety glass are available upon request..



DEGREE OF PROTECTION AND REFERENCE STANDARDS

IP66 IK10
NEMA TYPE 1, 12, 4, 4X

89/392/EEC

EN 62208 : 2011

UL 508 A
NEMA STANDARD PUBLICATION 250

EN 60529/09.200
EN 50102/05.96



FC Series: Compact stainless steel cabinet - 2 doors IP55



Compact
Compact cabinets

DEGREE OF PROTECTION AND REFERENCE STANDARDS

IP55 IK10
NEMA TYPE 1, 12

89/392/EEC

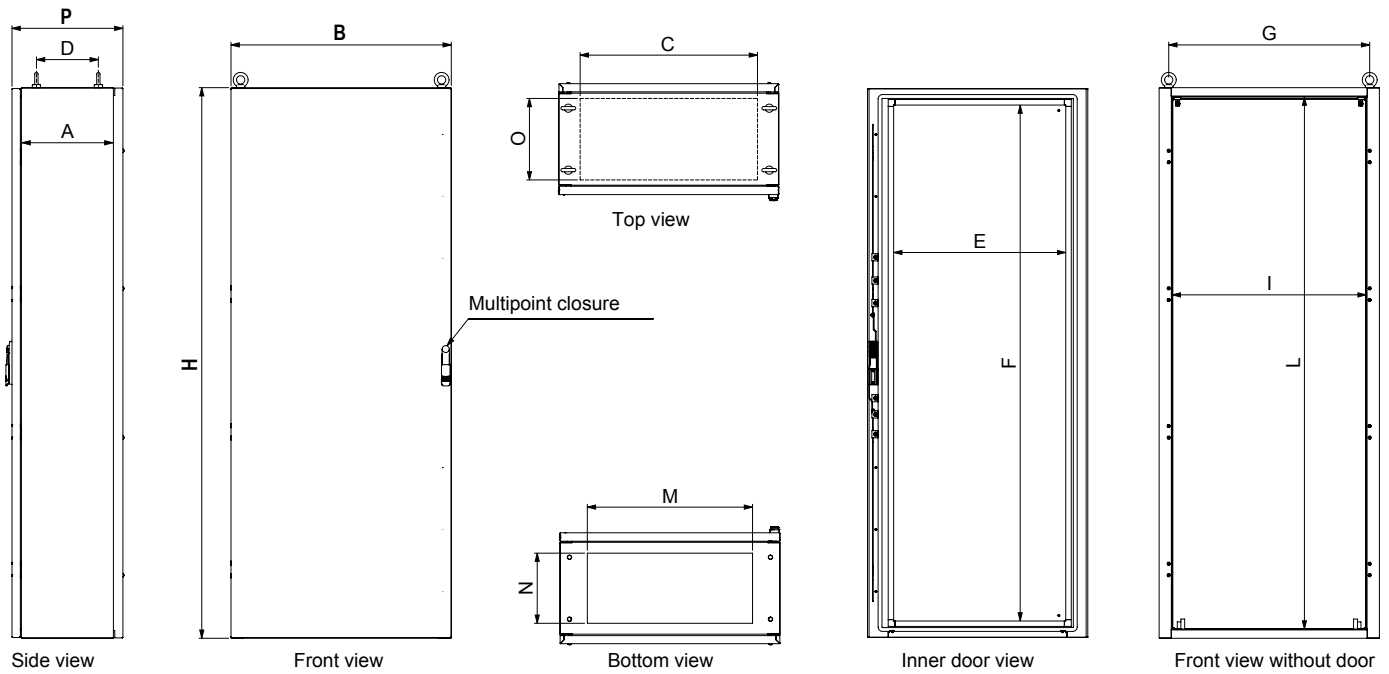
EN 62208 : 2011

UL 508 A
NEMA STANDARD PUBLICATION 250

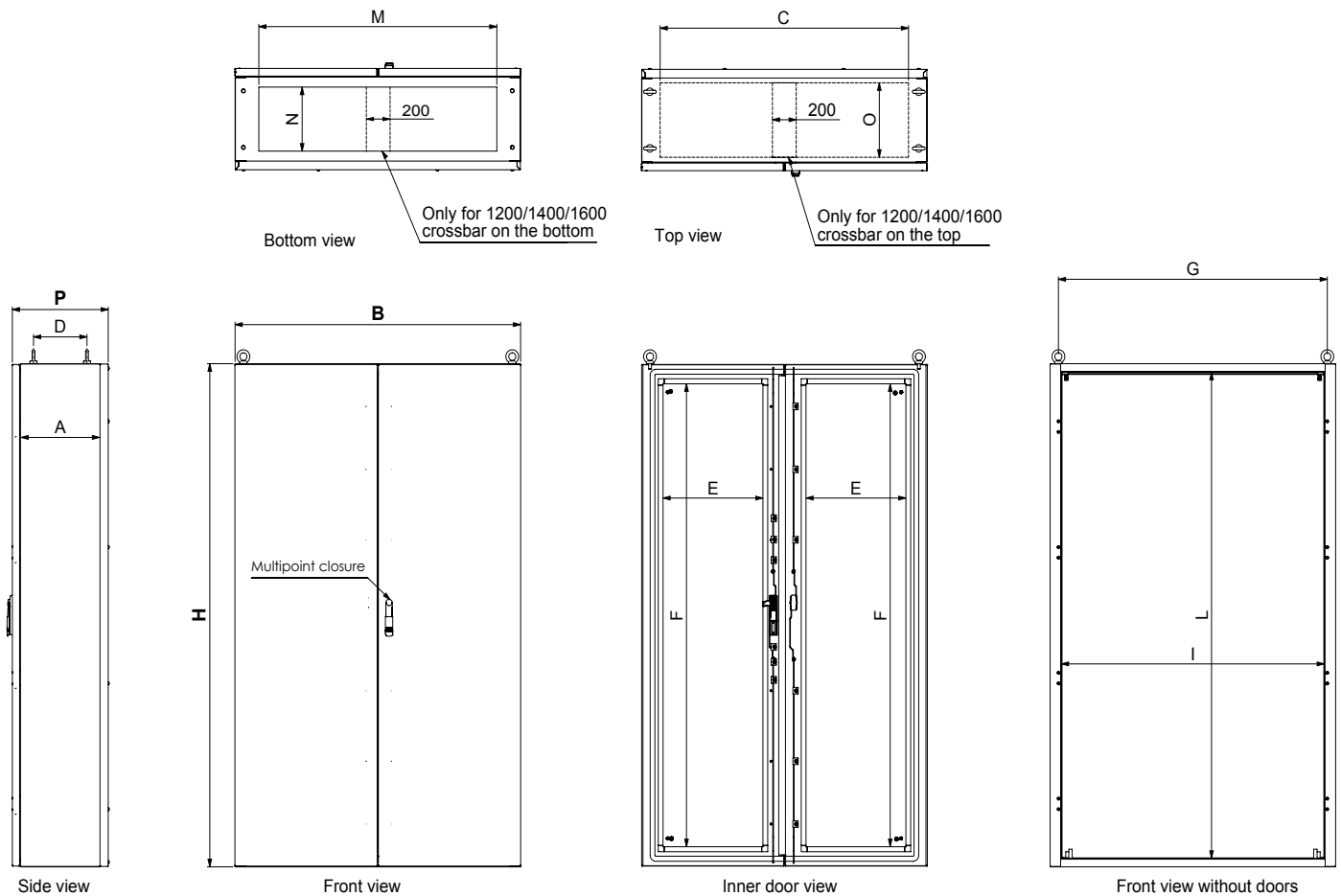
EN 60529/09.200
EN 50102/05.96



1 door cabinet



2 doors cabinet

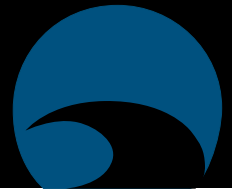




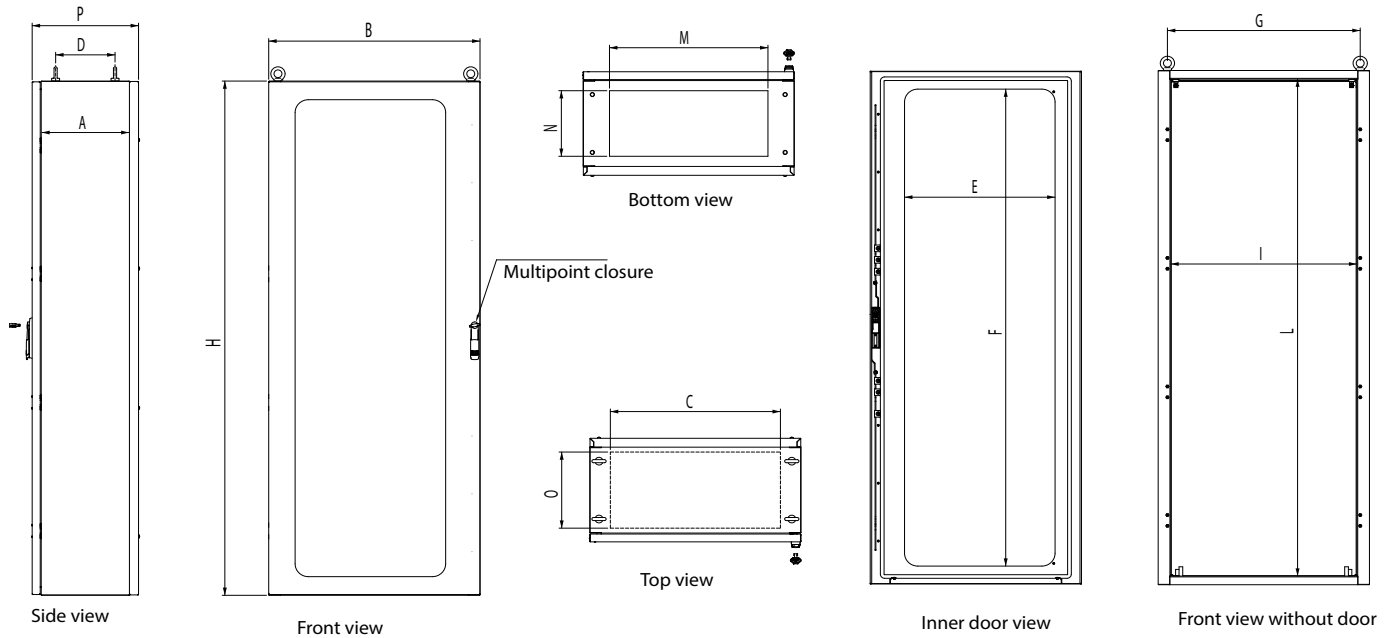
FC – SOLID DOOR CABINETS

CODE	Dimensions			Weight Kg	Volume m³	Available area for door drilling		Available width for side drilling			Bottom cabinet accessible area		Top cabinet accessible area		Front cabinet accessible area		Eyebolts distance		Heat load dissipation
	B	H	P			E	F	A	M	N	C	O	I	L	G	D			
FC6018040	610	1800	400	95	0,432	420	1640	330	350	235	390	295	480	1715	544	250	173W		
FC6018050	610	1800	500	105	0,540	420	1640	430	350	330	390	395	480	1715	544	350	194W		
FC6018060	610	1800	600	115	0,648	420	1640	530	350	430	390	495	480	1715	544	450	214W		
FC8018040	810	1800	400	125	0,576	620	1640	330	550	235	590	295	680	1715	744	250	211W		
FC8018050	810	1800	500	130	0,720	620	1640	430	550	330	590	395	680	1715	744	350	233W		
FC8018060	810	1800	600	135	0,864	620	1640	530	550	430	590	495	680	1715	744	450	255W		
FC10018040	1010	1800	400	140	0,720	820	1640	330	750	235	790	295	880	1715	944	250	248W		
FC10018050	1010	1800	500	150	0,900	820	1640	430	750	330	790	395	880	1715	944	350	272W		
FC10018060	1010	1800	600	160	1,080	820	1640	530	750	430	790	495	880	1715	944	450	296W		
FC12018040*	1224	1800	400	180	0,864	420	1640	330	440x2	235	435x2	295	1090	1715	1158	250	286W		
FC12018050*	1224	1800	500	185	1,080	420	1640	430	440x2	330	435x2	395	1090	1715	1158	350	311W		
FC12018060*	1224	1800	600	190	1,296	420	1640	530	440x2	430	432x2	495	1090	1715	1158	450	337W		
FC14018040*	1424	1800	400	195	1,008	520	1640	330	480x2	235	535x2	295	1290	1715	1358	250	323W		
FC14018050*	1424	1800	500	205	1,260	520	1640	430	480x2	330	535x2	395	1290	1715	1358	350	350W		
FC14018060*	1424	1800	600	215	1,512	520	1640	530	480x2	430	535x2	495	1290	1715	1358	450	370W		
FC16018040*	1624	1800	400	220	1,152	620	1640	330	580x2	235	635x2	295	1490	1715	1558	250	360W		
FC16018050*	1624	1800	500	235	1,440	620	1640	430	580x2	330	635x2	395	1490	1715	1558	350	389W		
FC16018060*	1624	1800	600	250	1,728	620	1640	530	580x2	430	635x2	495	1490	1715	1558	450	418W		
FC6020040	610	2000	400	110	0,480	420	1840	330	350	235	390	295	480	1915	544	250	190W		
FC6020050	610	2000	500	115	0,600	420	1840	430	350	330	390	395	480	1915	544	350	213W		
FC6020060	610	2000	600	120	0,720	420	1840	530	350	430	390	495	480	1915	544	450	253W		
FC8020040	810	2000	400	130	0,640	620	1840	330	550	235	590	295	680	1915	744	250	231W		
FC8020050	810	2000	500	140	0,800	620	1840	430	550	330	590	395	680	1915	744	350	255W		
FC8020060	810	2000	600	150	0,960	620	1840	530	550	430	590	495	680	1915	744	450	279W		
FC10020040	1010	2000	400	155	0,800	820	1840	330	750	235	790	295	880	1915	944	250	272W		
FC10020050	1010	2000	500	160	1,000	820	1840	430	750	330	790	395	880	1915	944	350	298W		
FC10020060	1010	2000	600	165	1,200	820	1840	530	750	430	790	495	880	1915	944	450	323W		
FC12020040*	1224	2000	400	190	0,960	420	1840	330	440x2	235	435x2	295	1090	1915	1158	250	313W		
FC12020050*	1224	2000	500	200	1,200	420	1840	430	400x2	330	435x2	395	1090	1915	1158	350	340W		
FC12020060*	1224	2000	600	210	1,440	420	1840	530	440x2	430	432x2	495	1090	1915	1158	450	367W		
FC14020040*	1424	2000	400	215	1,120	520	1840	330	480x2	235	535x2	295	1290	1915	1358	250	354W		
FC14020050*	1424	2000	500	230	1,400	520	1840	430	480x2	330	535x2	395	1290	1915	1358	350	383W		
FC14020060*	1424	2000	600	245	1,680	520	1840	530	480x2	430	535x2	495	1290	1915	1358	450	400W		
FC16020040*	1624	2000	400	250	1,280	620	1840	330	580x2	235	635x2	295	1490	1915	1558	250	394W		
FC16020050*	1624	2000	500	260	1,600	620	1840	430	580x2	330	635x2	395	1490	1915	1558	350	425W		
FC16020060*	1624	2000	600	270	1,920	620	1840	530	580x2	430	635x2	495	1490	1915	1558	450	456W		

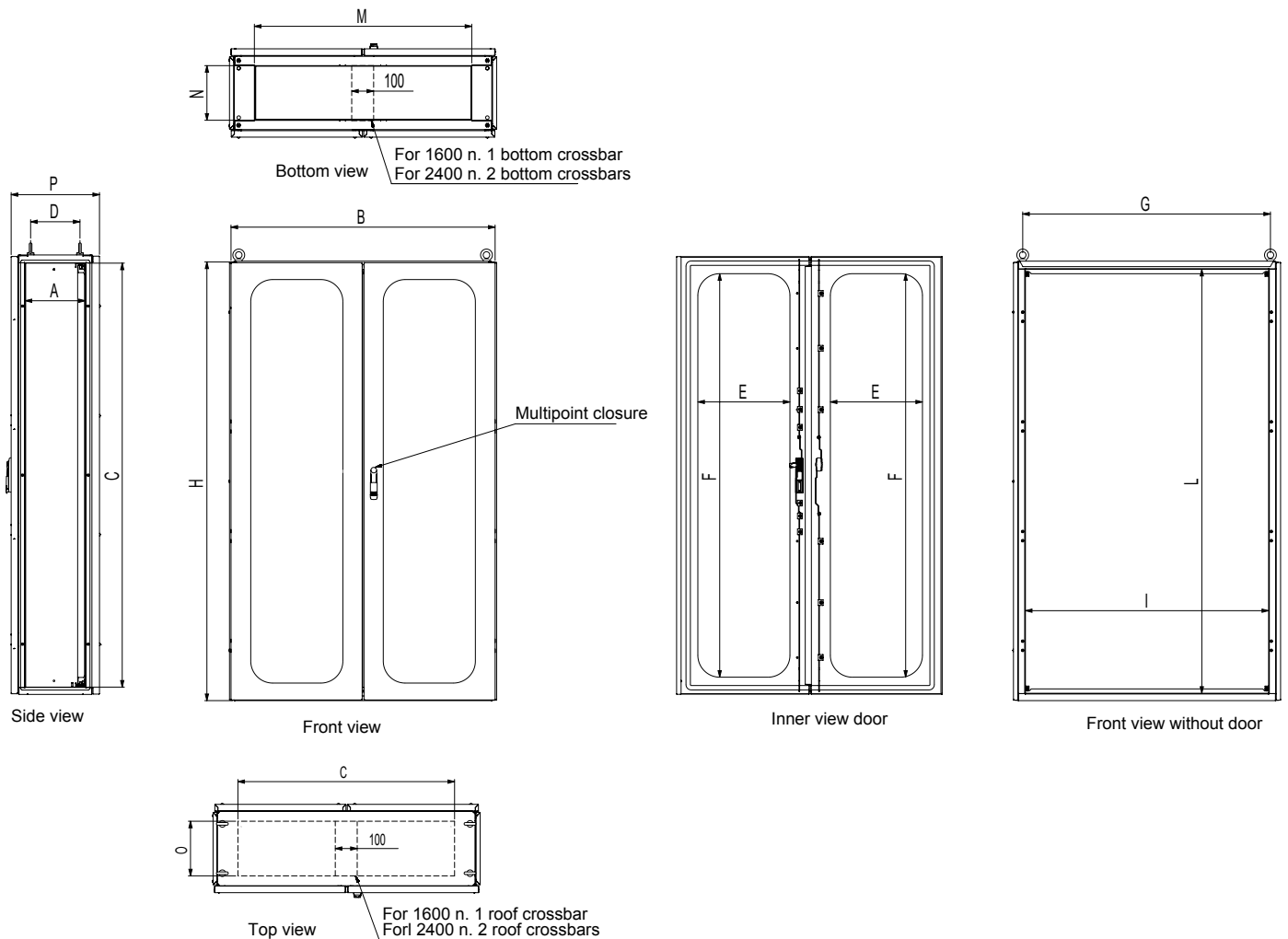
* CABINETS WITH 2 DOORS
B=Base H=Height P=Depth



Cabinets with 1 glazed door



Cabinets with 2 glazed doors

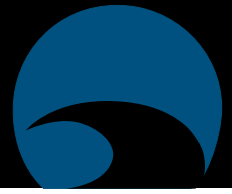




FC - GLAZED DOOR CABINETS

CODE	Dimensions			Weight Kg	Volume m³	Available transparent area		Available width for side drilling A	Bottom cabinet accessible area		Top cabinet accessible area		Front cabinet accessible area		Eyebolts distance		Heat load dis- sipation
	B	H	P			E	F		M	N	C	O	I	L	G	D	
FCV6018040	610	1800	400	95	0,432	400	1685	330	350	235	390	295	480	1715	544	250	173W
FCV6018050	610	1800	500	105	0,540	400	1685	430	350	330	390	395	480	1715	544	350	194W
FCV6018060	610	1800	600	115	0,648	400	1685	530	350	430	390	495	480	1715	544	450	214W
FCV8018040	810	1800	400	125	0,576	570	1685	330	550	235	590	295	680	1715	744	250	211W
FCV8018050	810	1800	500	130	0,720	570	1685	430	550	330	590	395	680	1715	744	350	233W
FCV8018060	810	1800	600	135	0,864	570	1685	530	550	430	590	495	680	1715	744	450	255W
FCV10018040	1010	1800	400	140	0,720	770	1685	330	750	235	790	295	880	1715	944	250	248W
FCV10018050	1010	1800	500	150	0,900	770	1685	430	750	330	790	395	880	1715	944	350	272W
FCV10018060	1010	1800	600	160	1,080	770	1685	530	750	430	790	495	880	1715	944	450	296W
FCV12018040*	1224	1800	400	180	0,864	400	1685	330	440x2	235	435x2	295	1090	1715	1158	250	286W
FCV12018050*	1224	1800	500	185	1,080	400	1685	430	440x2	330	435x2	395	1090	1715	1158	350	311W
FCV12018060*	1224	1800	600	190	1,296	400	1685	530	440x2	430	432x2	495	1090	1715	1158	450	337W
FCV14018040*	1424	1800	400	195	1,008	500	1685	330	480x2	235	535x2	295	1290	1715	1358	250	323W
FCV14018050*	1424	1800	500	205	1,260	500	1685	430	480x2	330	535x2	395	1290	1715	1358	350	350W
FCV14018060*	1424	1800	600	215	1,512	500	1685	530	480x2	430	535x2	495	1290	1715	1358	450	370W
FCV16018040*	1624	1800	400	220	1,152	600	1685	330	580x2	235	635x2	295	1490	1715	1558	250	360W
FCV16018050*	1624	1800	500	235	1,440	600	1685	430	580x2	330	635x2	395	1490	1715	1558	350	389W
FCV16018060*	1624	1800	600	250	1,728	600	1685	530	580x2	430	635x2	495	1490	1715	1558	450	418W
FCV6020040	610	2000	400	110	0,480	400	1885	330	350	235	390	295	480	1915	544	250	190W
FCV6020050	610	2000	500	115	0,600	400	1885	430	350	330	390	395	480	1915	544	350	213W
FCV6020060	610	2000	600	120	0,720	400	1885	530	350	430	390	495	480	1915	544	450	253W
FCV8020040	810	2000	400	130	0,640	570	1885	330	550	235	590	295	680	1915	744	250	231W
FCV8020050	810	2000	500	140	0,800	570	1885	430	550	330	590	395	680	1915	744	350	255W
FCV8020060	810	2000	600	150	0,960	570	1885	530	550	430	590	495	680	1915	744	450	279W
FCV10020040	1010	2000	400	155	0,800	770	1885	330	750	235	790	295	880	1915	944	250	272W
FCV10020050	1010	2000	500	160	1,000	770	1885	430	750	330	790	395	880	1915	944	350	298W
FCV10020060	1010	2000	600	165	1,200	770	1885	530	750	430	790	495	880	1915	944	450	323W
FCV12020040*	1224	2000	400	190	0,960	400	1885	330	440x2	235	435x2	295	1090	1915	1158	250	313W
FCV12020050*	1224	2000	500	200	1,200	400	1885	430	400x2	330	435x2	395	1090	1915	1158	350	340W
FCV12020060*	1224	2000	600	210	1,440	400	1885	530	440x2	430	432x2	495	1090	1915	1158	450	367W
FCV14020040*	1424	2000	400	215	1,120	500	1885	330	480x2	235	535x2	295	1290	1915	1358	250	354W
FCV14020050*	1424	2000	500	230	1,400	500	1885	430	480x2	330	535x2	395	1290	1915	1358	350	383W
FCV14020060*	1424	2000	600	245	1,680	500	1885	530	480x2	430	535x2	495	1290	1915	1358	450	400W
FCV16020040*	1624	2000	400	250	1,280	600	1885	330	580x2	235	635x2	295	1490	1915	1558	250	394W
FCV16020050*	1624	2000	500	260	1,600	600	1885	430	580x2	330	635x2	395	1490	1915	1558	350	425W
FCV16020060*	1624	2000	600	270	1,920	600	1885	530	580x2	430	635x2	495	1490	1915	1558	450	456W

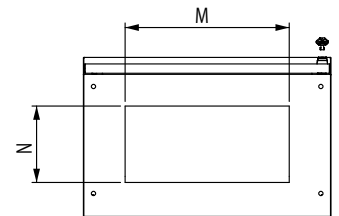
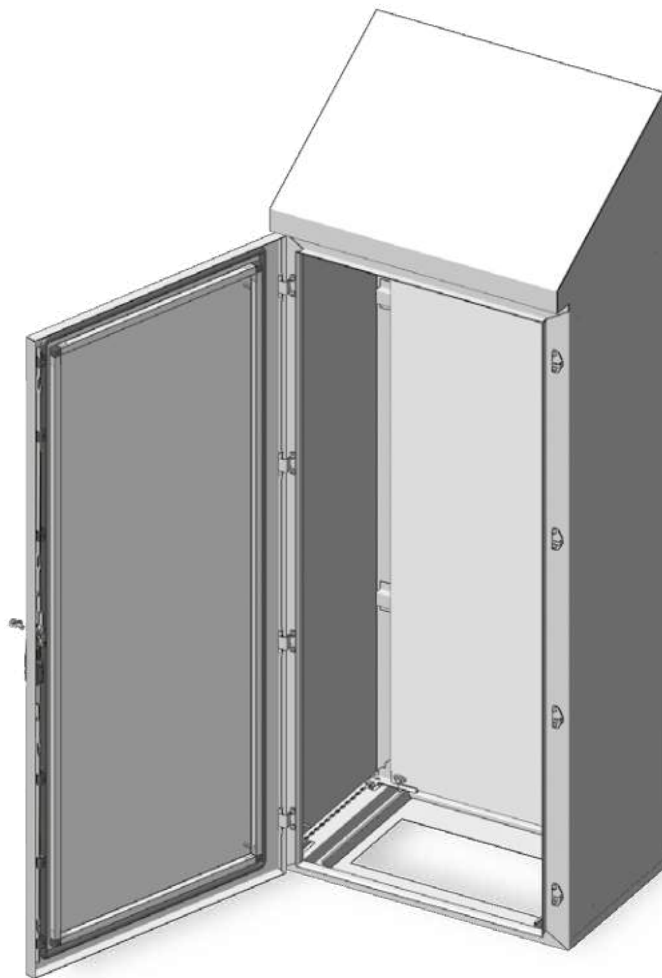
* CABINETS WITH 2 DOORS B=Base H=Height P=Depth



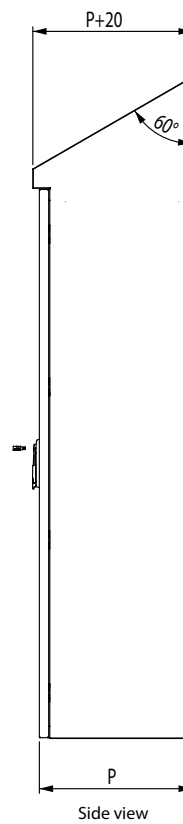
Integrated roof "hygienic design"

The "hygienic design" series represents a modern solution for cabinets installations in settings where high hygiene requirements are mandatory, as it allows the microbiological removal of deposits. An integrated and inclined canopy provides additional protection for the drainage of liquids. This is the ideal solution for the food and beverage industry, biotechnological laboratories and pharmaceutical plants.

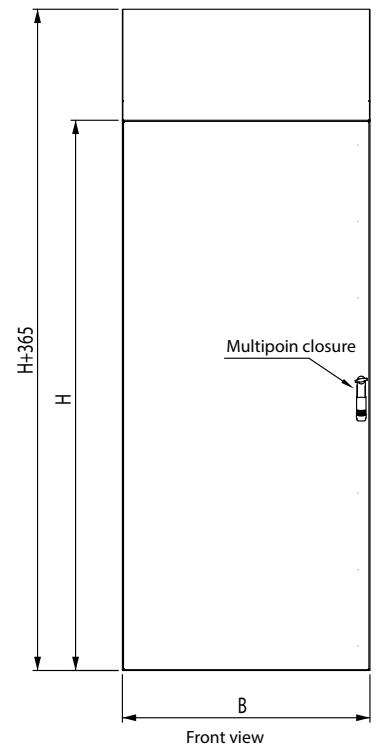
Technical drawings



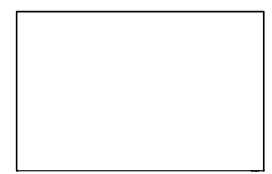
Bottom view



Side view



Front view



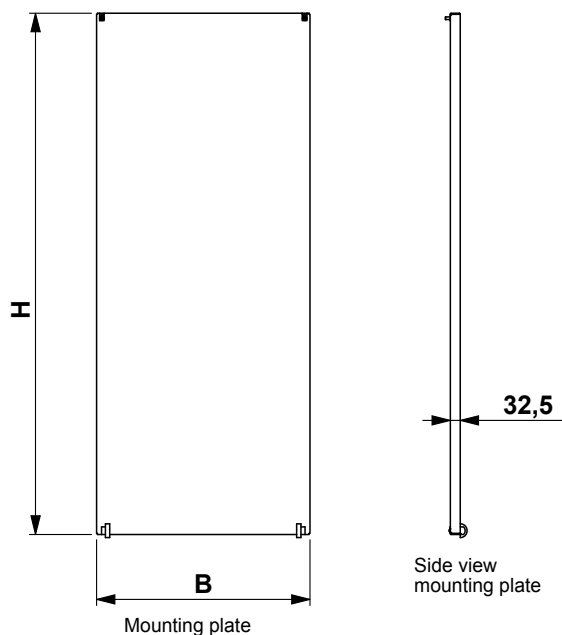
Top view



Mounting Plate

Made of galvanized steel (on request 304L/ 316L), with 2,5mm thickness double fold.

Technical drawings

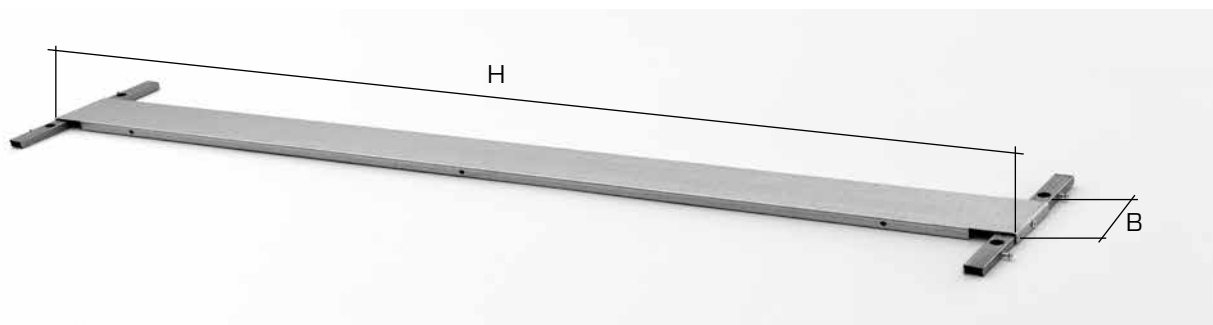


TECHNICAL DETAILS		
CODE	Narrow mounting plate	
	B	H
PI40180	276	1700
PI60180	476	1700
PI80180	676	1700
PI100180	876	1700
PI120180	1093	1700
PI140180	1276	1700
PI160180*	1490*	1700
PI40200	276	1900
PI60200	476	1900
PI80200	676	1900
PI100200	876	1900
PI120200	1093	1900
PI140200	1276	1900
PI160200*	1490*	1900

* Note: For cabinets with dimension B = 1600
No. 2 Plates PI80 .. plus partial plate (PIA)

PIA: Partial plate

Partial plate made of galvanized steel to join the narrow plates



TECHNICAL DETAILS			
CODE	Descriptions	Dimensions	
		B	H
PIA1800	PIA H1800 for narrow mounting plate	140	1700
PIA2000	PIA H2000 for narrow mounting plate	140	1900



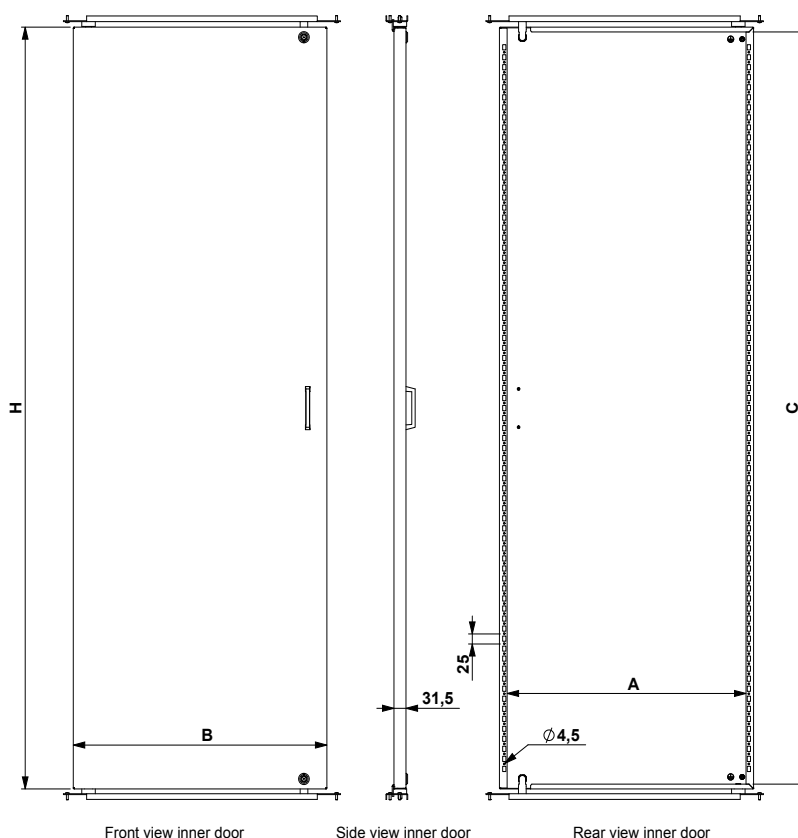
TC: Inner door

1.5mm thickness AISI 304L, bent on the longer sides, 25mm internal spacing drill. Inner door adjustable in depth by 25mm spacing.

As option : AISI 316L.



Technical drawings



* 2 DOUBLE LEAF DOORS ON A CENTRAL UPRIGHT

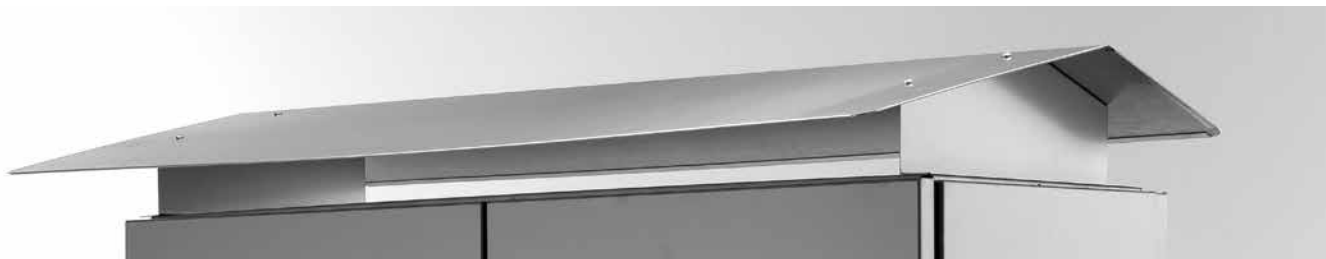
TECHNICAL DETAILS

CODE		Accessible area inner door		Available area for inner door drilling	
		B	H	A	C
TC60180	FC6018040 / 50 / 60	480	1700	435	1676
TC80180	FC8018040 / 50 / 60	680	1700	635	1676
TC100180	FC10018040 / 50 / 60	880	1700	835	1676
TC120180*	FC12018040 / 50 / 60	475x2*	1700	435x2	1676
TC140180*	FC14018040 / 50 / 60	575x2*	1700	535x2	1676
TC160180*	FC16018040 / 50 / 60	675x2*	1700	635x2	1676
TC60200	FC6020040 / 50 / 60	480	1900	435	1876
TC80200	FC8020040 / 50 / 60	680	1900	635	1876
TC100200	FC10020040 / 50 / 60	880	1900	835	1876
TC120200*	FC12020040 / 50 / 60	475x2*	1900	435x2	1876
TC140200*	FC14020040 / 50 / 60	575x2*	1900	535x2	1876
TC160200*	FC16020040 / 50 / 60	675x2*	1900	635x2	1876

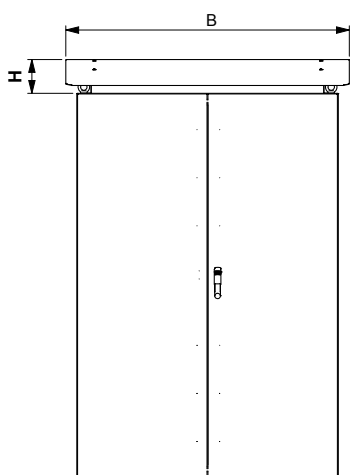


TPA: Rain canopy

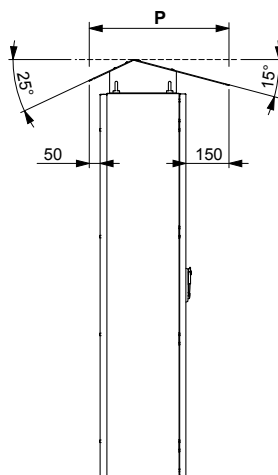
In outdoor settings, protection canopy can be installed to ensure greater protection against atmospheric agents. As standard AISI 304L, as option : AISI 316L.



Technical drawings



Front view



Side view

TECHNICAL DETAILS

CODE	Description	Dimensions		
		B	H	P
TPA6040	Rain canopy series FC	700	160	600
TPA6050	Rain canopy series FC	700	160	700
TPA6060	Rain canopy series FC	700	160	800
TPA8040	Rain canopy series FC	900	160	600
TPA8050	Rain canopy series FC	900	160	700
TPA8060	Rain canopy series FC	900	160	800
TPA10040	Rain canopy series FC	1100	160	600
TPA10050	Rain canopy series FC	1100	160	700
TPA10060	Rain canopy series FC	1100	160	800
TPA12040	Rain canopy series FC	1300	160	600
TPA12050	Rain canopy series FC	1300	160	700
TPA12060	Rain canopy series FC	1300	160	800
TPA14040	Rain canopy series FC	1500	160	600
TPA14050	Rain canopy series FC	1500	160	700
TPA14060	Rain canopy series FC	1500	160	800
TPA16040	Rain canopy series FC	1700	160	600
TPA16050	Rain canopy series FC	1700	160	700
TPA16060	Rain canopy series FC	1700	160	800



FGL: Double entry flange

As an alternative to the standard cable gland plate, is available a double cable entry flange, made in two parts with a sealing gasket, which makes easier the cable entry. Its use is recommended in combination with the hygienic base. They are made of AISI 304L or AISI 316L

TECHNICAL DETAILS				
CODE	Description	Dimensions		
		B	P	
FLG6040C	Double flange serie FC	390	250	
FLG6050C	Double flange serie FC	390	350	
FLG6060C	Double flange serie FC	390	450	
FLG8040C	Double flange serie FC	590	250	
FLG8050C	Double flange serie FC	590	350	
FLG8060C	Double flange serie FC	590	450	
FLG10040C	Double flange serie FC	790	250	
FLG10050C	Double flange serie FC	790	350	
FLG10060C	Double flange serie FC	790	450	
FLG12040C*	Double flange serie FC	435	250	
FLG12050C*	Double flange serie FC	435	350	
FLG12060C*	Double flange serie FC	435	450	
FLG14040C*	Double flange serie FC	535	250	
FLG14050C*	Double flange serie FC	535	350	
FLG14060C*	Double flange serie FC	535	450	
FLG16040C*	Double flange serie FC	635	250	
FLG16050C*	Double flange serie FC	635	350	
FLG16060C*	Double flange serie FC	635	450	



* N. 2 pieces to be ordered

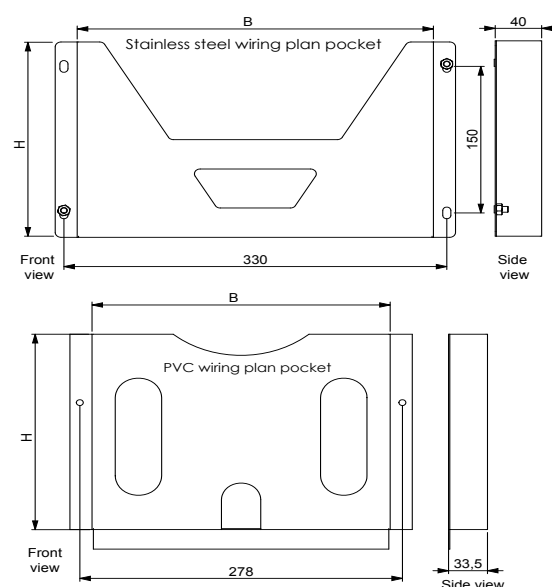
TS: Wiring plan pocket

Inner pockets suitable for A3 / A4 format documents. pocket available in stainless steel and PVC.



* Fixed on the door frame

Technical drawings

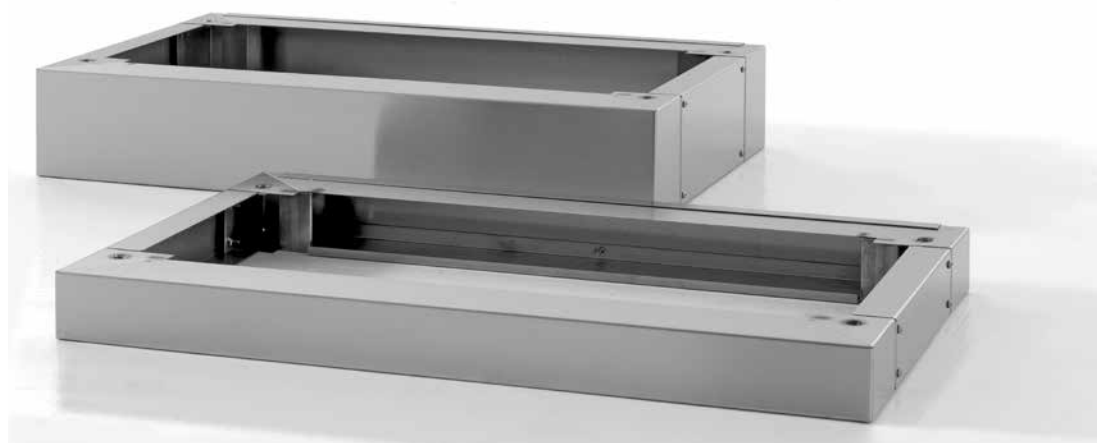


TECHNICAL DETAILS			
CODE	Description	Dimensions	
		B	H
TS00030	TS00030 Diagram pocket. pvc A4	210	300
TS00010	TS00010 pocket st.st. A4	210	300
TS00400*	TS00400* pocket st.st. B400	400	250
TS00600*	TS00600* pocket st.st. B600	600	250
TS00800*	TS00800* pocket st.st. B800	800	250
TS01000*	TS01000* pocket st.st. B1000	1000	250

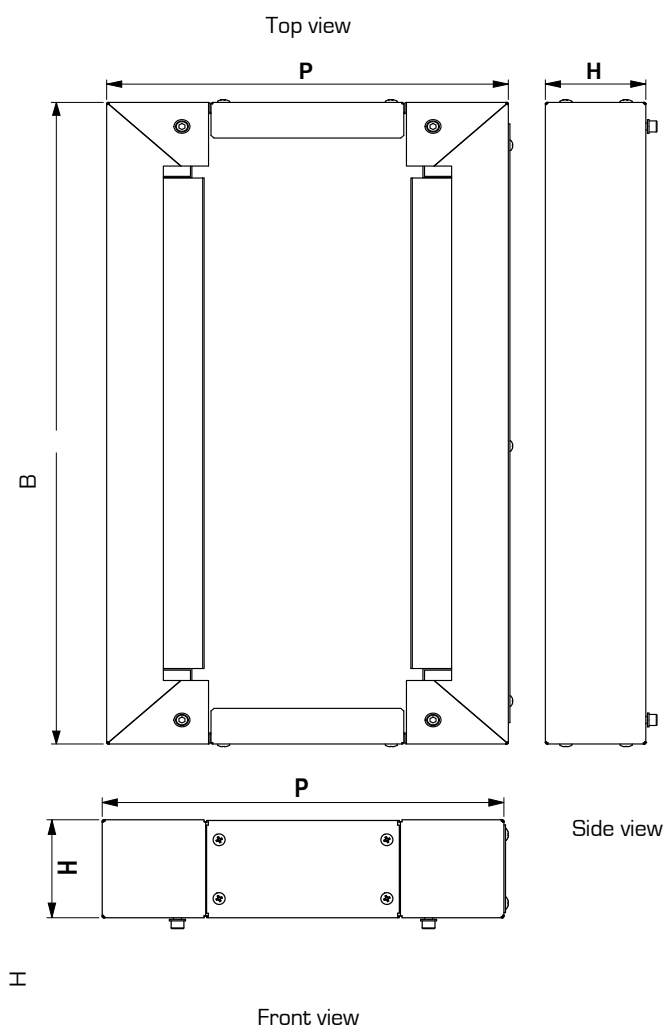


FZ: Plinths

The FZ plinth is made of stainless steel, to provide a floor mounting. Heights can be: H100 or H200mm. The plinth can be inspected on the sides with openings on the bottom. In very adverse settings, where maximum protection from atmospheric agents is required, the H100 and H200 sizes can be installed with the hygienic FZ3.S plinth with closed bottom; can be inspected through flanged sides.



Technical drawings



TECHNICAL DETAILS

CODE	Dimensions		
	B	H	P
FZ3601040	600	100	400
FZ3601050	600	100	500
FZ3601060	600	100	600
FZ3801040	800	100	400
FZ3801050	800	100	500
FZ3801060	800	100	600
FZ31001040	1000	100	400
FZ31001050	1000	100	500
FZ31001060	1000	100	600
FZ31201040	1200	100	400
FZ31201050	1200	100	500
FZ31201060	1200	100	600
FZ31401040	1400	100	400
FZ31401050	1400	100	500
FZ31401060	1400	100	600
FZ31601040	1600	100	400
FZ31601050	1600	100	500
FZ31601060	1600	100	600
FZ3602040	600	200	400
FZ3602050	600	200	500
FZ3602060	600	200	600
FZ3802040	800	200	400
FZ3802050	800	200	500
FZ3802060	800	200	600
FZ31002040	1000	200	400
FZ31002050	1000	200	500
FZ31002060	1000	200	600
FZ31202040	1200	200	400
FZ31202050	1200	200	500
FZ31202060	1200	200	600
FZ31402040	1400	200	400
FZ31402050	1400	200	500
FZ31402060	1400	200	600
FZ31602040	1600	200	400
FZ31602050	1600	200	500
FZ31602060	1600	200	600



PL: Component shelves

Mounted on tubular frames, shelves offer a large supporting surface. Quick positioning, to be tilted after use. AISI 304L, as option: AISI 316L.



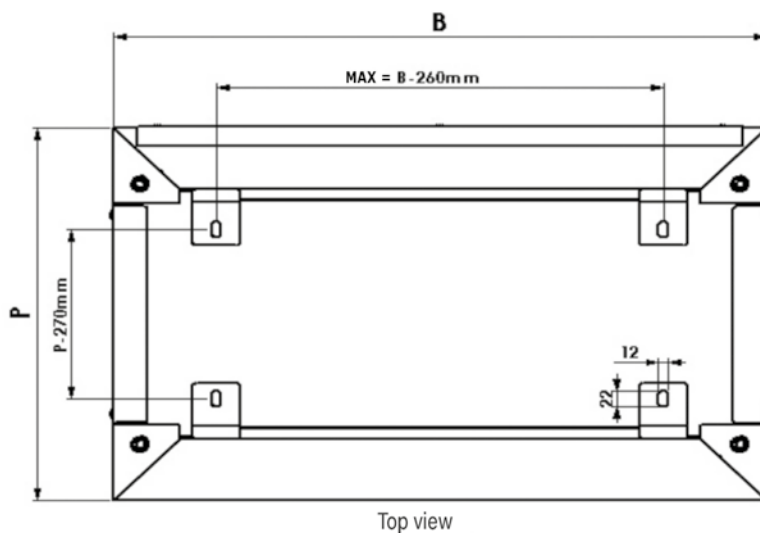
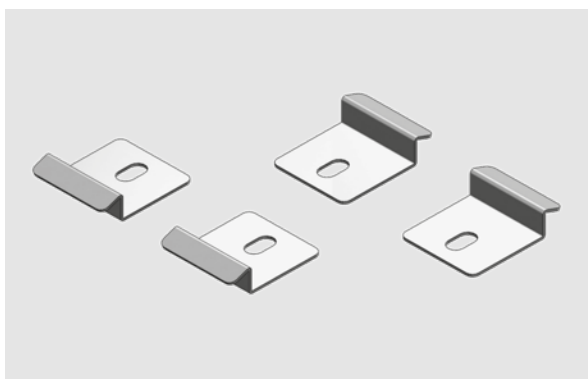
TECHNICAL DETAILS

CODE	Description	Dimensions	Q.ty
		B	Nr.
PL600	Shelve B600	600	1
PL800	Shelve B800	800	1
PL1000	Shelve B1000	1000	1

KFZP: Floor plinth fixing kit

The KFZP Kit cannot be used when the plinth is mounted on a FZ ... S hygienic base. For these plinths use the feet anchors.

Technical drawings





PP/PPT: Inspection-Protection windows

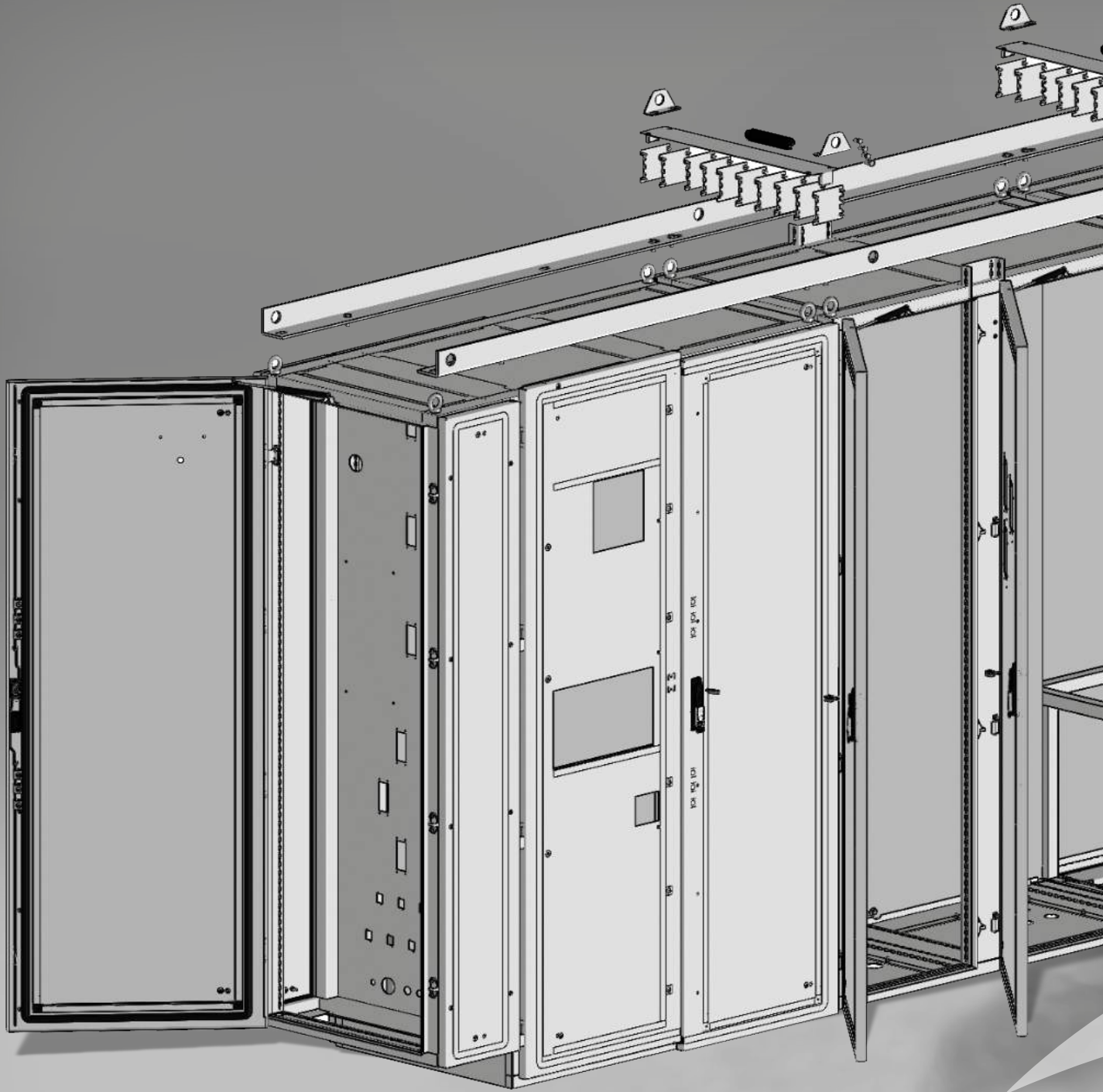
Used to assure protection of the controls, the PPT windows are provided with a stainless steel frame, with direct fixing of the PP windows. The doors of the windows have a glued lexan on the door, as well as a sealing gasket and a Yale lock wing type.

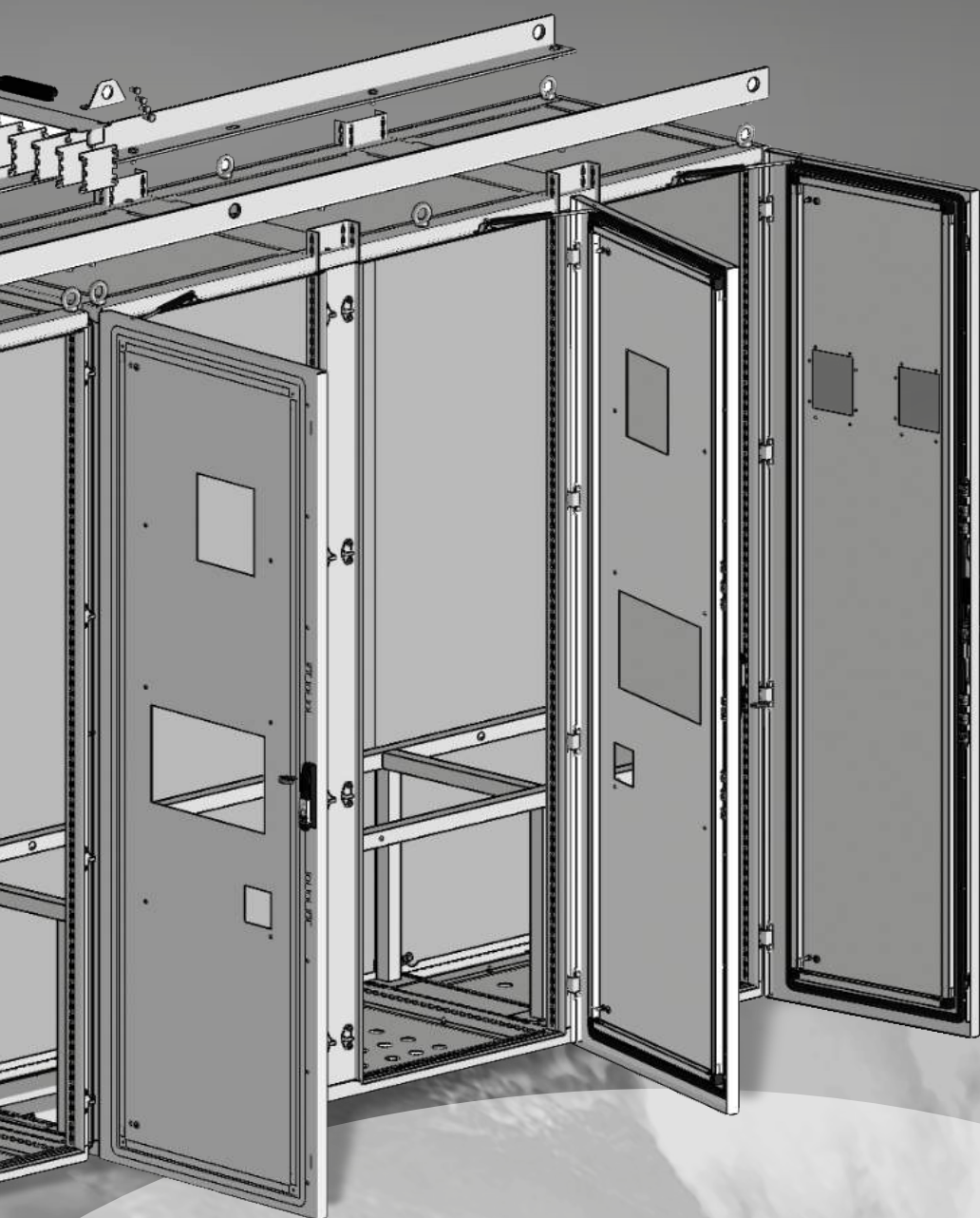


Compact
Compact cabinets

TECHNICAL DETAILS

CODE	Description	Dimensions		
		B	H	P
PP300300	Window with direct fixing	300	300	55
PP400400	Window with direct fixing	400	400	55
PP450450	Window with direct fixing	450	450	55
PP500500	Window with direct fixing	500	500	55
PP500750	Window with direct fixing	500	750	55
PP600800	Window with direct fixing	600	800	55
PPT400400	Window with frame	400	400	95
PPT450450	Window with frame	450	450	95
PPT500500	Window with frame	500	500	95
PPT500750	Window with frame	500	750	95
PPT600800	Window with frame	600	800	95





ARMOD



FR Series: Modular stainless steel cabinet with 1 door

The FR series of stainless steel cabinets has been manufactured in compliance with the most recent international standards, with completely innovative construction design, performing solidity, protection and cleanliness. Available in single or double door configuration. The IP66 degree of protection, the removable and replaceable rear side with a door and the scotch-brite finishing are among the main characteristics of the FR series, being therefore the ideal solution for applications in aggressive settings typical of the food, chemical, pharmaceutical or outdoor applications. **Of course it is possible to supply tailor-made cabinets in accordance to customers needs.** Doors with transparent 3 + 3mm safety glass are available upon request.



DEGREE OF PROTECTION AND REFERENCE STANDARDS

IP66 IK10
NEMA TYPE 1, 12, 4, 4X

89/392/EEC

EN 62208 : 2011

UL 508 A
NEMA STANDARD PUBLICATION 250

EN 60529/09.200
EN 50102/05.96



FR Series: Modular stainless steel cabinet with 2 doors

Beside the standard design , we are available to supply **tailormade cabinets in accordance to customer's needs.**

As option, are available arrangements including doors with 3 + 3 mm safety glass.

Width 1200mm, IP55, 2 double leaf doors, without central upright.

Width 1600 / 2400mm - IP66, 2/3 single (independent) doors 800mm wide , with welded central upright.



DEGREE OF PROTECTION AND REFERENCE STANDARDS

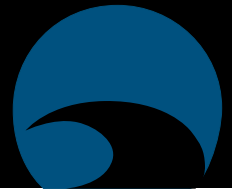
IP55 IK10 - IP66 IK10
NEMA TYPE 1, 12, 4, 4X

89/392/EEC

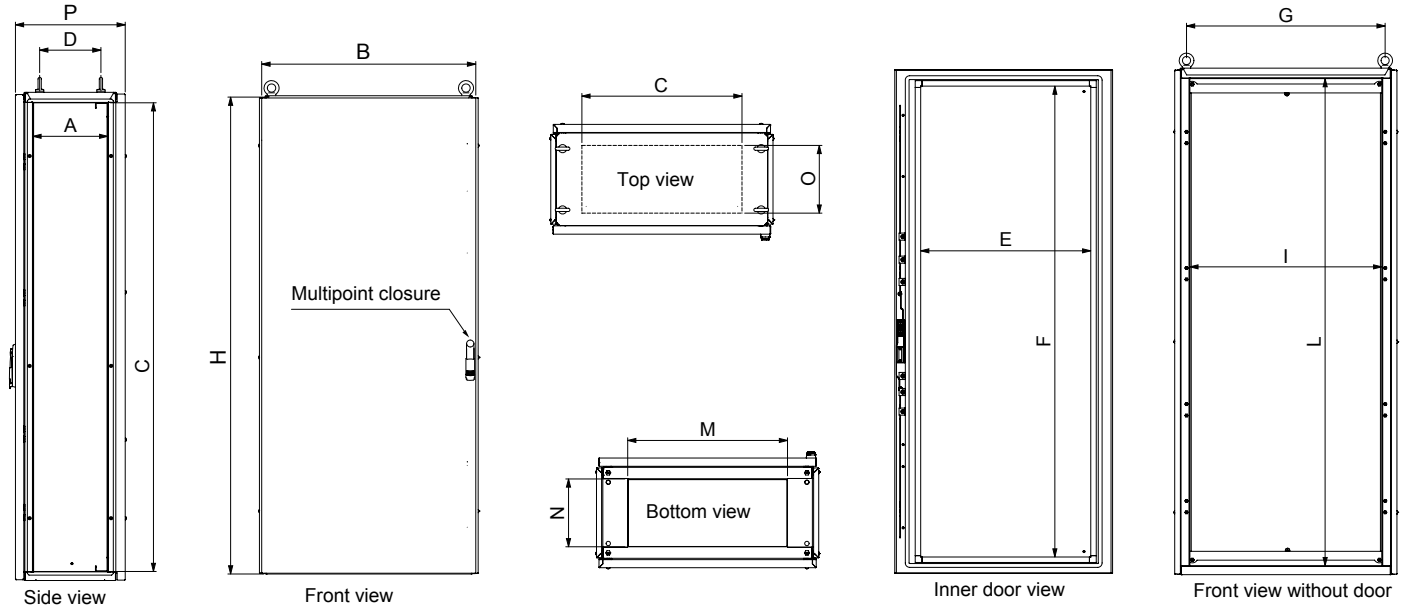
EN 62208 : 2011

UL 508 A
NEMA STANDARD PUBLICATION 250

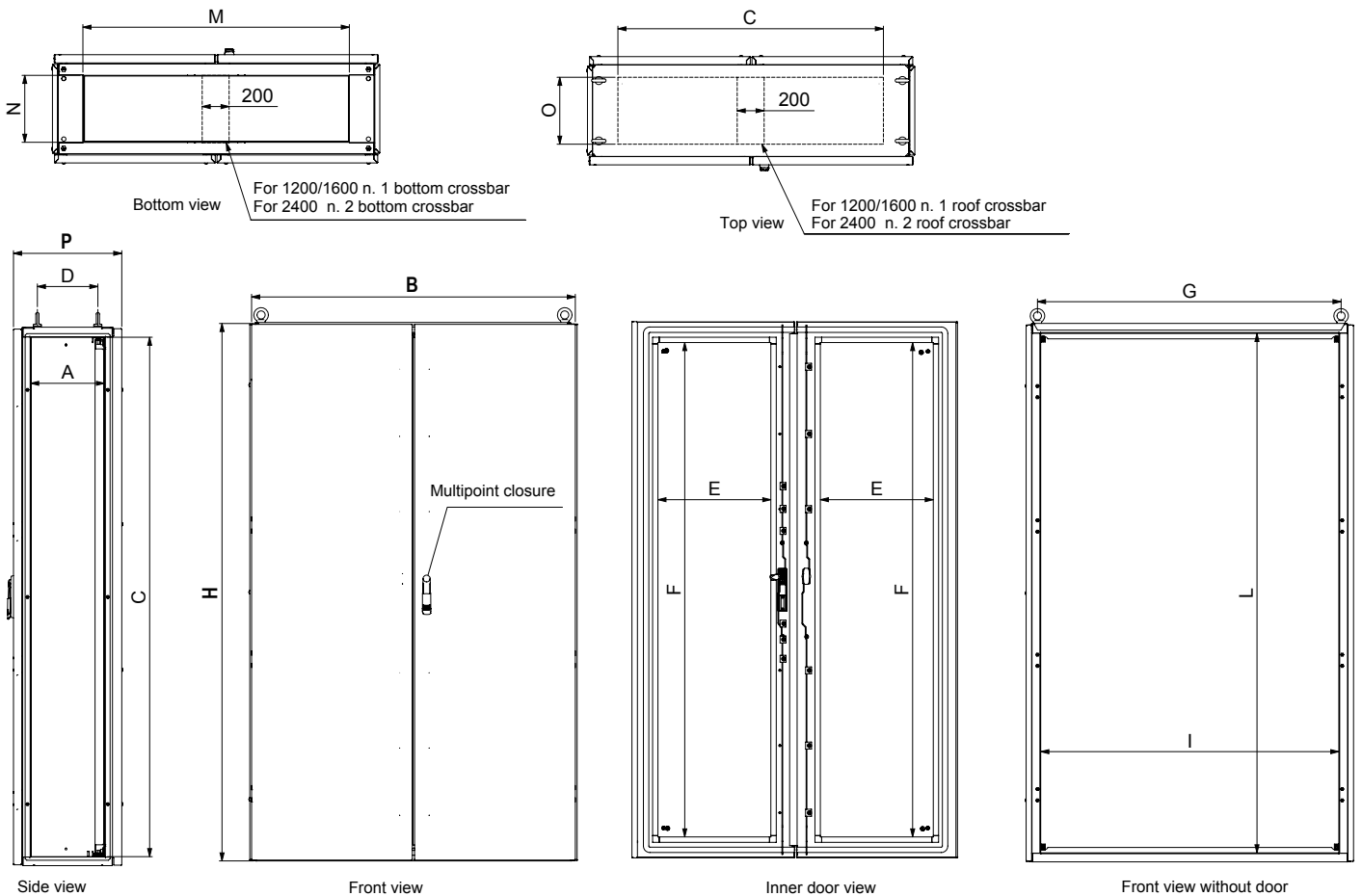
EN 60529/09.200
EN 50102/05.96



1 door cabinets



2 doors cabinets





FR – SOLID DOOR CABINETS

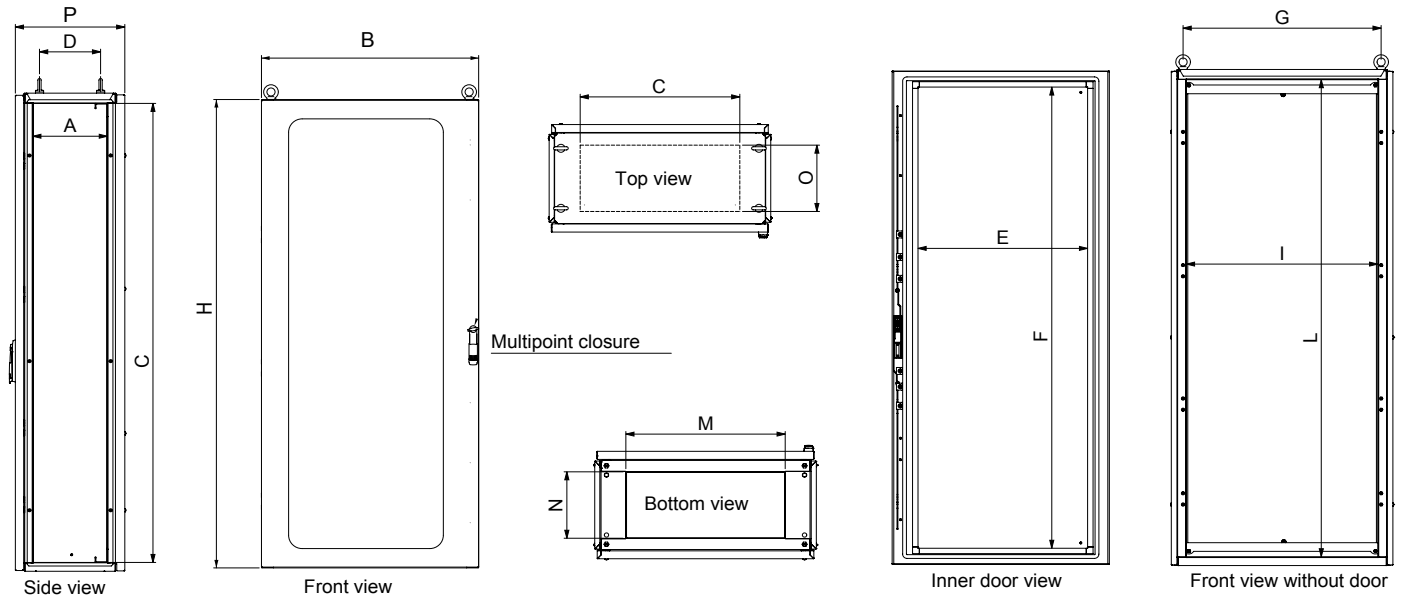
CODE	Dimensions			Weight Kg	Vol. m³	Door Accessible area		Available width for side drilling A	Clear height C	Accessible area for bottom cable entry		Top cabinet accessible area for roof drilling		Front cabinet accessible area		Eyebolts distance		Heat load dissipation
	B	H	P			E	F			M	N	C	O	I	L	G	D	
FR4018040	414	1800	400	70	0,288	220	1640	285	1720	200	160	250	220	280	1720	344	250	135W
FR4018050	414	1800	500	75	0,360	220	1640	385	1720	200	260	250	320	280	1720	344	350	155W
FR4018060	414	1800	600	80	0,432	220	1640	485	1720	200	360	250	420	280	1720	344	450	173W
FR4018080	414	1800	800	85	0,576	220	1640	685	1720	200	560	250	620	280	1720	344	650	211W
FR6018040	614	1800	400	85	0,432	420	1640	285	1720	400	160	450	220	480	1720	544	250	173W
FR6018050	614	1800	500	100	0,540	420	1640	385	1720	400	260	450	320	480	1720	544	350	194W
FR6018060	614	1800	600	115	0,648	420	1640	485	1720	400	360	450	420	480	1720	544	450	214W
FR6018080	614	1800	800	120	0,864	420	1640	685	1720	400	560	450	620	480	1720	544	650	255W
FR8018040	814	1800	400	120	0,576	620	1640	285	1720	600	160	650	220	680	1720	744	250	211W
FR8018050	814	1800	500	125	0,720	620	1640	385	1720	600	260	650	320	680	1720	744	350	233W
FR8018060	814	1800	600	130	0,864	620	1640	485	1720	600	360	650	420	680	1720	744	450	255W
FR8018080	814	1800	800	150	1,152	620	1640	685	1720	600	560	650	620	680	1720	744	650	299W
FR10018040	1014	1800	400	170	0,720	820	1640	285	1720	800	160	850	220	880	1720	944	250	248W
FR10018050	1014	1800	500	175	0,900	820	1640	385	1720	800	260	850	320	880	1720	944	350	272W
FR10018060	1014	1800	600	180	1,080	820	1640	485	1720	800	360	850	420	880	1720	944	450	296W
FR10018080	1014	1800	800	185	1,440	820	1640	685	1720	800	560	850	620	880	1720	944	650	343W
FR12018040*	1228	1800	400	160	0,864	420	1640	285	1720	400x2	160	450x2	220	1095	1720	1158	250	286W
FR12018050*	1228	1800	500	170	1,080	420	1640	385	1720	400x2	260	450x2	320	1095	1720	1158	350	311W
FR12018060*	1228	1800	600	180	1,296	420	1640	485	1720	400x2	360	450x2	420	1095	1720	1158	450	337W
FR12018080*	1228	1800	800	205	1,728	420	1640	685	1720	400x2	560	450x2	620	1095	1720	1158	650	388W
FR16018040*	1628	1800	400	230	1,152	620	1640	285	1720	600x2	160	650x2	220	680x2	1720	1558	250	360W
FR16018050*	1628	1800	500	245	1,440	620	1640	385	1720	600x2	260	650x2	320	680x2	1720	1558	350	389W
FR16018060*	1628	1800	600	260	1,728	620	1640	485	1720	600x2	360	650x2	420	680x2	1720	1558	450	418W
FR16018080*	1628	1800	800	270	2,304	620	1640	685	1720	600x2	560	650x2	620	680x2	1720	1558	650	476W
FR24018040**	2442	1800	400	355	1,728	620	1640	285	1720	600x3	160	650x3	220	680x3	1720	2372	250	520W
FR24018050**	2442	1800	500	370	2,160	620	1640	385	1720	600x3	260	650x3	320	680x3	1720	2372	350	546W
FR24018060**	2442	1800	600	385	2,592	620	1640	485	1720	600x3	360	650x3	420	680x3	1720	2372	450	581W
FR24018080**	2442	1800	800	400	3,456	620	1640	685	1720	600x3	560	650x3	620	680x3	1720	2372	650	653W
FR4020040	414	2000	400	80	0,320	220	1840	285	1920	200	160	250	220	280	1920	344	250	129W
FR4020050	414	2000	500	85	0,400	220	1840	385	1920	200	260	250	320	280	1920	344	350	170W
FR4020060	414	2000	600	90	0,480	220	1840	485	1920	200	360	250	420	280	1920	344	450	190W
FR4020080	414	2000	800	95	0,640	220	1840	685	1920	200	560	250	620	280	1920	344	650	231W
FR6020040	614	2000	400	100	0,480	420	1840	285	1920	400	160	450	220	480	1920	544	250	190W
FR6020050	614	2000	500	115	0,600	420	1840	385	1920	400	260	450	320	480	1920	544	350	231W
FR6020060	614	2000	600	130	0,720	420	1840	485	1920	400	360	450	420	480	1920	544	450	235W
FR6020080	614	2000	800	140	0,960	420	1840	685	1920	400	560	450	620	480	1920	544	650	279W
FR8020040	814	2000	400	140	0,640	620	1840	285	1920	600	160	650	220	680	1920	744	250	231W
FR8020050	814	2000	500	145	0,800	620	1840	385	1920	600	260	650	320	680	1920	744	350	255W
FR8020060	814	2000	600	150	0,960	620	1840	485	1920	600	360	650	420	680	1920	744	450	279W
FR8020080	814	2000	800	175	1,280	620	1840	685	1920	600	560	650	620	680	1920	744	650	326W
FR10020040	1014	2000	400	180	0,800	820	1840	285	1920	800	160	850	220	880	1920	944	250	272W
FR10020050	1014	2000	500	190	1,000	820	1840	385	1920	800	260	850	320	880	1920	944	350	298W
FR10020060	1014	2000	600	200	1,200	820	1840	485	1920	800	360	850	420	880	1920	944	450	323W
FR10020080	1014	2000	800	210	1,600	820	1840	685	1920	800	560	850	620	880	1920	944	650	374W
FR12020040*	1228	2000	400	190	0,960	420	1840	285	1920	400x2	160	450x2	220	1095	1720	1158	250	313W
FR12020050*	1228	2000	500	205	1,200	420	1840	385	1920	400x2	260	450x2	320	1095	1720	1158	350	340W
FR12020060*	1228	2000	600	220	1,440	420	1840	485	1920	400x2	360	450x2	420	1095	1720	1158	450	367W
FR12020080*	1228	2000	800	235	1,920	420	1840	685	1920	400x2	560	450x2	620	1095	1720	1158	650	422W
FR16020040*	1628	2000	400	260	1,280	620	1840	285	1920	600x2	160	650x2	220	680x2	1720	1558	250	394W
FR16020050*	1628	2000	500	280	1,600	620	1840	385	1920	600x2	260	650x2	320	680x2	1720	1558	350	425W
FR16020060*	1628	2000	600	300	1,920	620	1840	485	1920	600x2	360	650x2	420	680x2	1720	1558	450	456W
FR16020080*	1628	2000	800	310	2,560	620	1840	685	1920	600x2	560	650x2	620	680x2	1720	1558	650	517W
FR24020040**	2442	2000	400	400	1,920	620	1840	285	1920	600x3	160	650x3	220	680x3	1720	2372	250	565W
FR24020050**	2442	2000	500	425	2,400	620	1840	385	1920	600x3	260	650x3	320	680x3	1720	2372	350	595W
FR24020060**	2442	2000	600	450	2,880	620	1840	485	1920	600x3	360	650x3	420	680x3	1720	2372	450	632W
FR24020080**	2442	2000	800	460	3,840	620	1840	685	1920	600x3	560	650x3	620	680x3	1720	2372	650	707W

* CABINETS WITH 2 DOORS

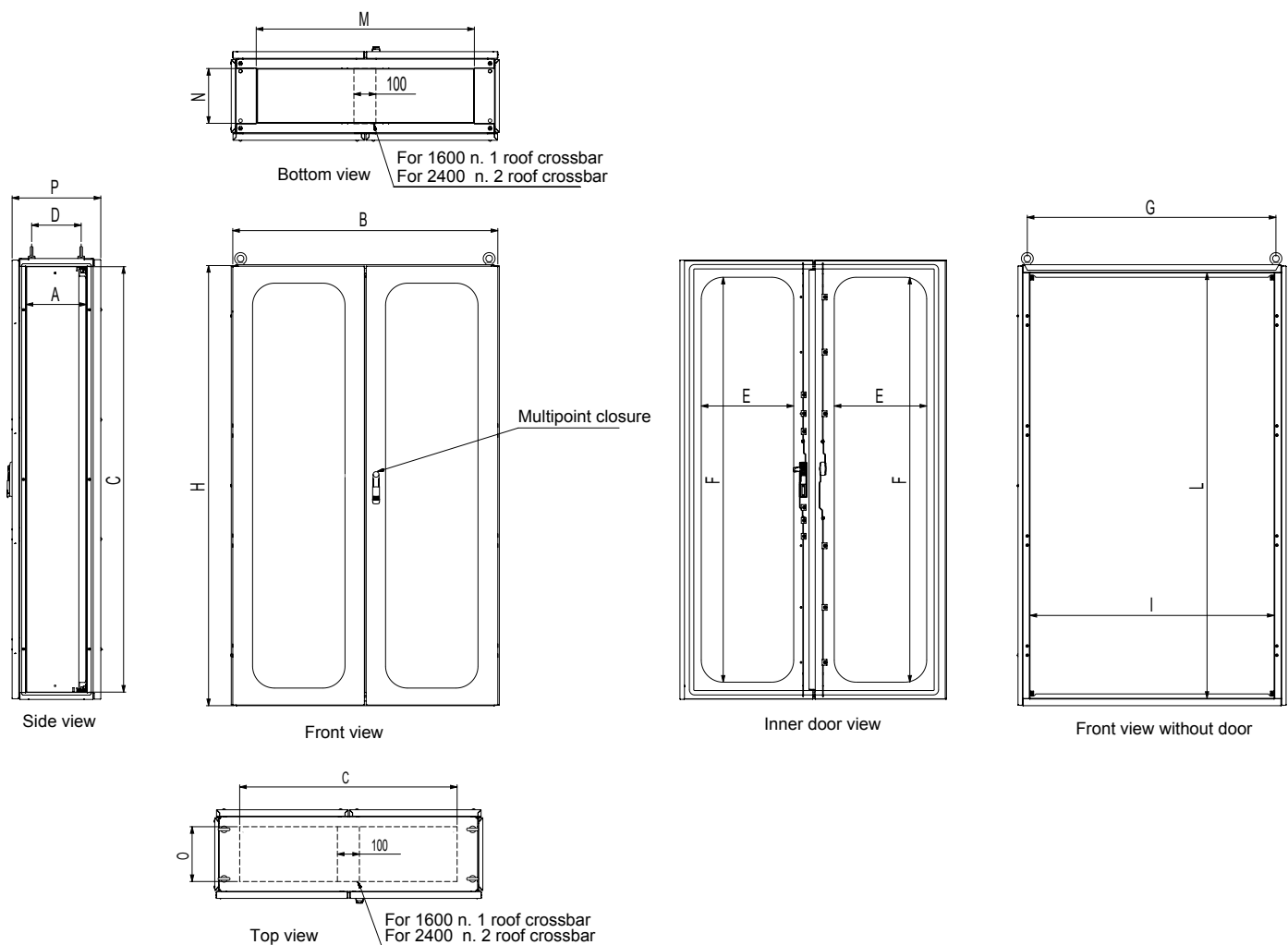
** CABINETS WITH 3 DOORS



Cabinets with 1 glazed door



Cabinets with 2 glazed door





FR – SOLID DOOR CABINETS

CODE	Dimensions			Weight Kg	Vol. m³	Door Accessible area		Available width for side drilling A	Clear height C	Accessible area for bottom cable entry		Top cabinet accessible area for roof drilling		Front cabinet accessible area		Eyebolts distance		Heat load dissipation
	B	H	P			E	F			M	N	C	O	I	L	G	D	
FRV4018040	414	1800	400	70	0,288	200	1640	285	1720	200	160	250	220	280	1720	344	250	135W
FRV4018050	414	1800	500	75	0,360	200	1640	385	1720	200	260	250	320	280	1720	344	350	155W
FRV4018060	414	1800	600	80	0,432	200	1640	485	1720	200	360	250	420	280	1720	344	450	173W
FRV4018080	414	1800	800	85	0,576	200	1640	685	1720	200	560	250	620	280	1720	344	650	211W
FRV6018040	614	1800	400	85	0,432	400	1640	285	1720	400	160	450	220	480	1720	544	250	173W
FRV6018050	614	1800	500	100	0,540	400	1640	385	1720	400	260	450	320	480	1720	544	350	194W
FRV6018060	614	1800	600	115	0,648	400	1640	485	1720	400	360	450	420	480	1720	544	450	214W
FRV6018080	614	1800	800	120	0,864	400	1640	685	1720	400	560	450	620	480	1720	544	650	255W
FRV8018040	814	1800	400	120	0,576	570	1640	285	1720	600	160	650	220	680	1720	744	250	211W
FRV8018050	814	1800	500	125	0,720	570	1640	385	1720	600	260	650	320	680	1720	744	350	233W
FRV8018060	814	1800	600	130	0,864	570	1640	485	1720	600	360	650	420	680	1720	744	450	255W
FRV8018080	814	1800	800	150	1,152	570	1640	685	1720	600	560	650	620	680	1720	744	650	299W
FRV10018040	1014	1800	400	170	0,720	770	1640	285	1720	800	160	850	220	880	1720	944	250	248W
FRV10018050	1014	1800	500	175	0,900	770	1640	385	1720	800	260	850	320	880	1720	944	350	272W
FRV10018060	1014	1800	600	180	1,080	770	1640	485	1720	800	360	850	420	880	1720	944	450	296W
FRV10018080	1014	1800	800	185	1,440	770	1640	685	1720	800	560	850	620	880	1720	944	650	343W
FRV12018040*	1228	1800	400	160	0,864	400	1640	285	1720	400x2	160	450x2	220	1095	1720	1158	250	286W
FRV12018050*	1228	1800	500	170	1,080	400	1640	385	1720	400x2	260	450x2	320	1095	1720	1158	350	311W
FRV12018060*	1228	1800	600	180	1,296	400	1640	485	1720	400x2	360	450x2	420	1095	1720	1158	450	337W
FRV12018080*	1228	1800	800	205	1,728	400	1640	685	1720	400x2	560	450x2	620	1095	1720	1158	650	388W
FRV16018040*	1628	1800	400	230	1,152	600	1640	285	1720	600x2	160	650x2	220	680x2	1720	1558	250	360W
FRV16018050*	1628	1800	500	245	1,440	600	1640	385	1720	600x2	260	650x2	320	680x2	1720	1558	350	389W
FRV16018060*	1628	1800	600	260	1,728	600	1640	485	1720	600x2	360	650x2	420	680x2	1720	1558	450	418W
FRV16018080*	1628	1800	800	270	2,304	600	1640	685	1720	600x2	560	650x2	620	680x2	1720	1558	650	476W
FRV24018040**	2442	1800	400	355	1,728	600	1640	285	1720	600x3	160	650x3	220	680x3	1720	2372	250	520W
FRV24018050**	2442	1800	500	370	2,160	600	1640	385	1720	600x3	260	650x3	320	680x3	1720	2372	350	546W
FRV24018060**	2442	1800	600	385	2,592	600	1640	485	1720	600x3	360	650x3	420	680x3	1720	2372	450	581W
FRV24018080**	2442	1800	800	400	3,456	600	1640	685	1720	600x3	560	650x3	620	680x3	1720	2372	650	653W
FRV4020040	414	2000	400	80	0,320	200	1840	285	1920	200	160	250	220	280	1920	344	250	129W
FRV4020050	414	2000	500	85	0,400	200	1840	385	1920	200	260	250	320	280	1920	344	350	170W
FRV4020060	414	2000	600	90	0,480	200	1840	485	1920	200	360	250	420	280	1920	344	450	190W
FRV4020080	414	2000	800	95	0,640	200	1840	685	1920	200	560	250	620	280	1920	344	650	231W
FRV6020040	614	2000	400	100	0,480	400	1840	285	1920	400	160	450	220	480	1920	544	250	190W
FRV6020050	614	2000	500	115	0,600	400	1840	385	1920	400	260	450	320	480	1920	544	350	231W
FRV6020060	614	2000	600	130	0,720	400	1840	485	1920	400	360	450	420	480	1920	544	450	235W
FRV6020080	614	2000	800	140	0,960	400	1840	685	1920	400	560	450	620	480	1920	544	650	279W
FRV8020040	814	2000	400	140	0,640	570	1840	285	1920	600	160	650	220	680	1920	744	250	231W
FRV8020050	814	2000	500	145	0,800	570	1840	385	1920	600	260	650	320	680	1920	744	350	255W
FRV8020060	814	2000	600	150	0,960	570	1840	485	1920	600	360	650	420	680	1920	744	450	279W
FRV8020080	814	2000	800	175	1,280	570	1840	685	1920	600	560	650	620	680	1920	744	650	326W
FRV10020040	1014	2000	400	180	0,800	770	1840	285	1920	800	160	850	220	880	1920	944	250	272W
FRV10020050	1014	2000	500	190	1,000	770	1840	385	1920	800	260	850	320	880	1920	944	350	298W
FRV10020060	1014	2000	600	200	1,200	770	1840	485	1920	800	360	850	420	880	1920	944	450	323W
FRV10020080	1014	2000	800	210	1,600	770	1840	685	1920	800	560	850	620	880	1920	944	650	374W
FRV12020040*	1228	2000	400	190	0,960	400	1840	285	1920	400x2	160	450x2	220	1095	1720	1158	250	313W
FRV12020050*	1228	2000	500	205	1,200	400	1840	385	1920	400x2	260	450x2	320	1095	1720	1158	350	340W
FRV12020060*	1228	2000	600	220	1,440	400	1840	485	1920	400x2	360	450x2	420	1095	1720	1158	450	367W
FRV12020080*	1228	2000	800	235	1,920	400	1840	685	1920	400x2	560	450x2	620	1095	1720	1158	650	422W
FRV16020040*	1628	2000	400	260	1,280	600	1840	285	1920	600x2	160	650x2	220	680x2	1720	1558	250	394W
FRV16020050*	1628	2000	500	280	1,600	600	1840	385	1920	600x2	260	650x2	320	680x2	1720	1558	350	425W
FRV16020060*	1628	2000	600	300	1,920	600	1840	485	1920	600x2	360	650x2	420	680x2	1720	1558	450	456W
FRV16020080*	1628	2000	800	310	2,560	600	1840	685	1920	600x2	560	650x2	620	680x2	1720	1558	650	517W
FRV24020040**	2442	2000	400	400	1,920	600	1840	285	1920	600x3	160	650x3	220	680x3	1720	2372	250	565W
FRV24020050**	2442	2000	500	425	2,400	600	1840	385	1920	600x3	260	650x3	320	680x3	1720	2372	350	595W
FRV24020060**	2442	2000	600	450	2,880	600	1840	485	1920	600x3	360	650x3	420	680x3	1720	2372	450	632W
FRV24020080**	2442	2000	800	460	3,840	600	1840	685	1920	600x3	560	650x3	620	680x3	1720	2372	650	707W

* CABINETS WITH 2 DOORS

** CABINETS WITH 3 DOORS



FRPC Series: Modular cabinet for PC enclosure/housing

The FRPC model computer cabinets are designed to meet the need to use computers in industrial settings while maintaining a high degree of IP protection



DEGREE OF PROTECTION AND REFERENCE STANDARDS

IP66 IK10

89/392/EEC

EN 62208 : 2011

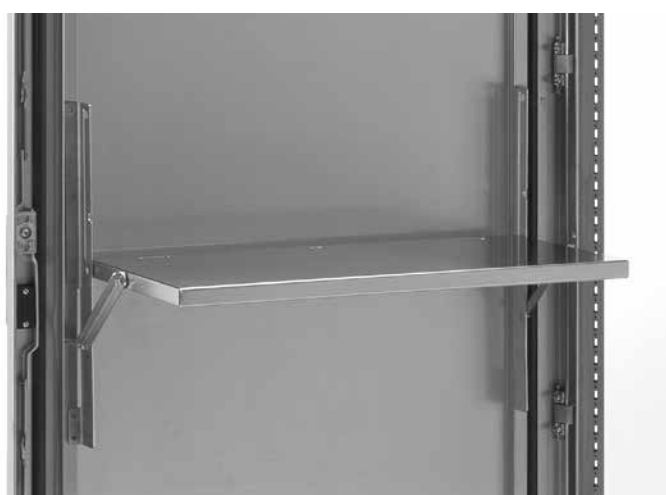
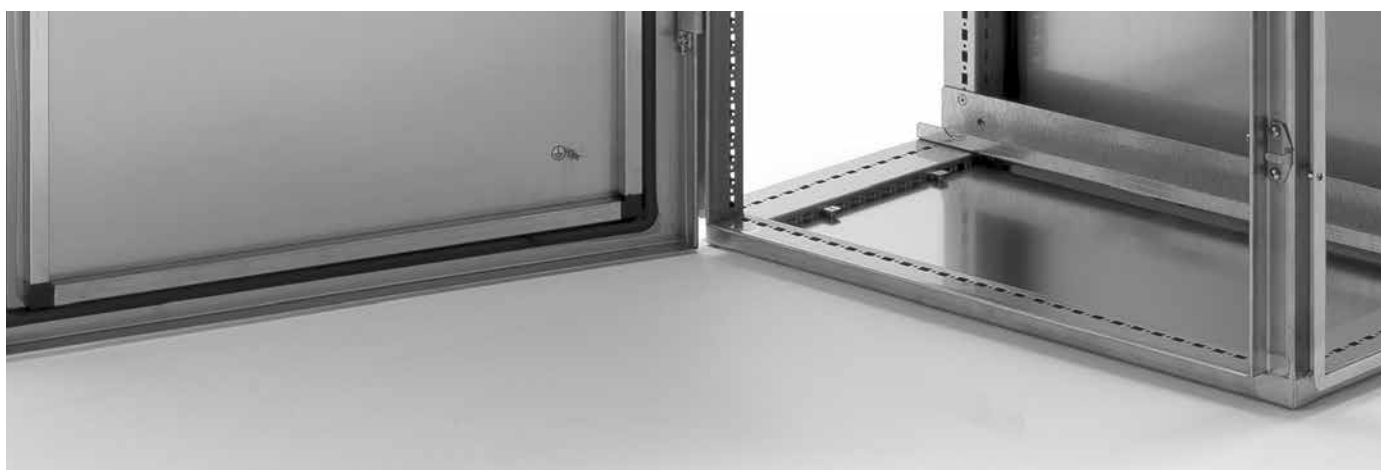
EN 60529/09.200

EN 50102/05.96



TECHNICAL DETAILS

CODE	Description	Dimensions		
		B	H	P
FRPC6018060	Modular cabinet for PC housing	600	1800	600
FRPC6018080	Modular cabinet for PC housing	600	1800	800
FRPC6020060	Modular cabinet for PC housing	600	2000	600
FRPC6020080	Modular cabinet for PC housing	600	2000	800

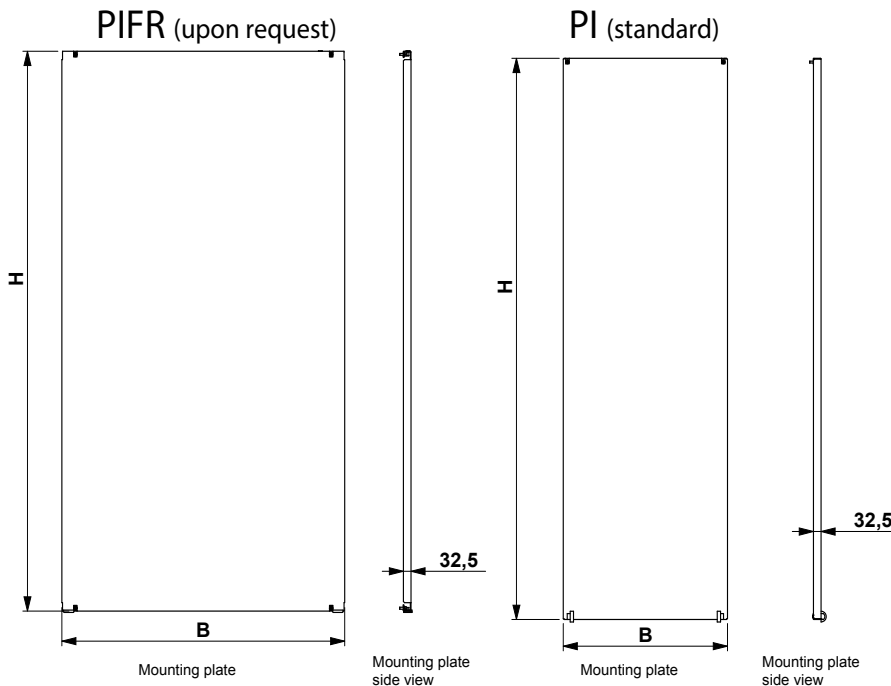




Mounting plate

Made of galvanized steel (304L / 316L on request), with double fold 2.5mm thickness.

Technical drawings



TECHNICAL DETAILS

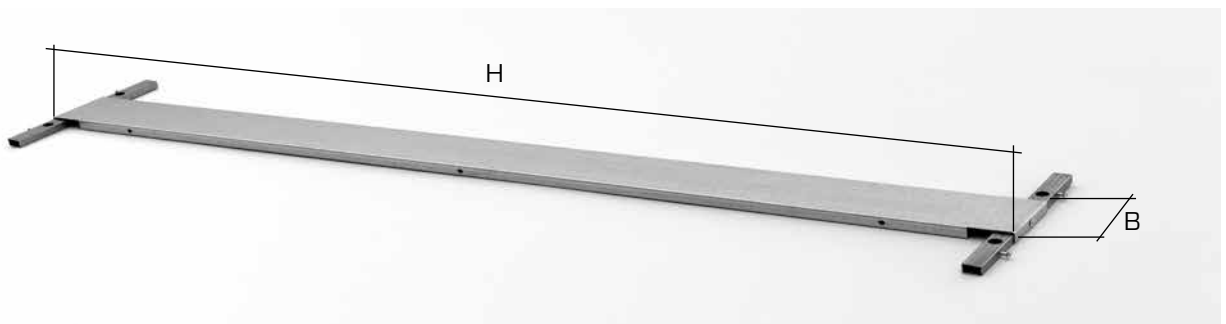
CODE	Wide mounting plate	
	B	H
PIFR40180	410	1700
PIFR60180	610	1700
PIFR80180	810	1700
PIFR100180	1010	1700
PIFR120180	1224	1700
PIFR40200	410	1900
PIFR60200	610	1900
PIFR80200	810	1900
PIFR100200	1010	1900
PIFR120200	1224	1900

CODE	Narrow mounting plate	
	B	H
PI40180	276	1700
PI60180	476	1700
PI80180	676	1700
PI100180	876	1700
PI120180	1093	1700
PI40200	276	1900
PI60200	476	1900
PI80200	676	1900
PI100200	876	1900
PI120200	1093	1900

* Note: on request on the FR and FRV range it is possible to mount the PIFR wider plate which however is not compatible with the intermediate plate (PIA) and depth profiles (TPA) accessories, therefore it is mandatory to use the standard PI plate.

PIA: Partial plate

Partial plate made in galvanized steel to join the narrow plates



TECHNICAL DETAILS

CODE	Description	Dimensions	
		B	H
PIA1800	PIA H1800 for narrow mounting plate	140	1700
PIA2000	PIA H2000 for narrow mounting plate	140	1900
PIAFR	Joint for large mounting plate	300	-



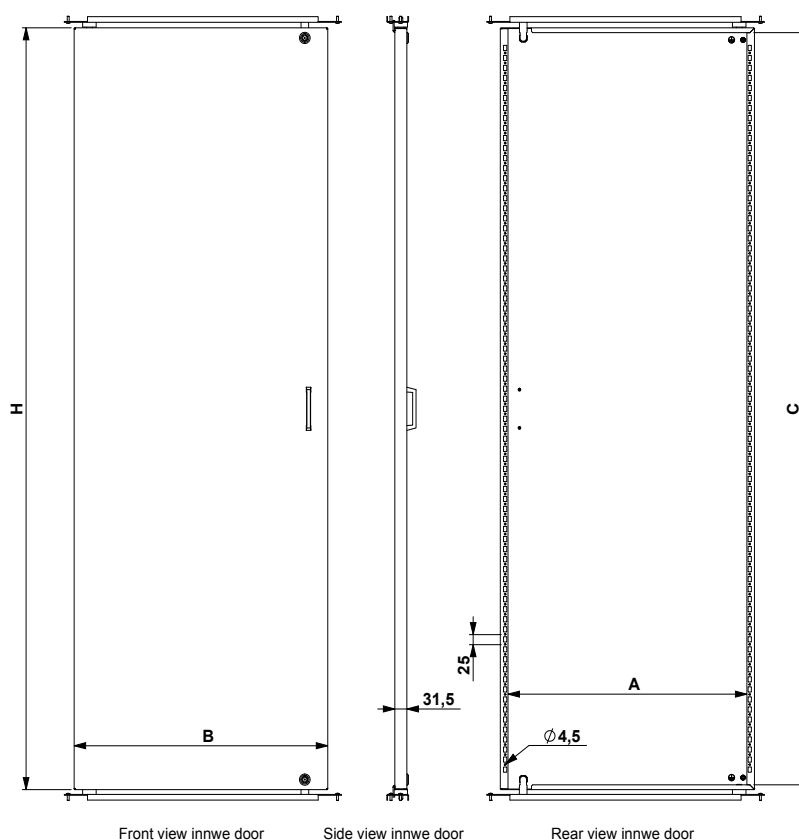
TC: Inner door

1.5 mm thickness AISI 304L, bent on the longer sides, 25 mm internal spacing drill. Inner door adjustable in depth by 25 mm spacing.

As option: AISI 316L



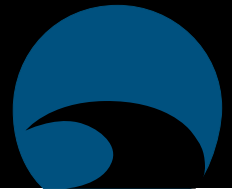
Technical drawings



* 2 DOUBLE LEAF DOORS ON A CENTRAL UPRIGHT

TECHNICAL DETAILS

CODE	CODE rif. FR	Inner door dimensions		Available area for inner door drilling	
		B	H	A	C
TC60180	FR6018050 / 60 / 80	480	1700	435	1676
TC80180	FR8018050 / 60 / 80	680	1700	635	1676
TC100180	FR10018050 / 60 / 80	880	1700	835	1676
TC120180	FR12018050 / 60 / 80	475x2*	1700	435x2	1676
TC160180	FR16018050 / 60 / 80	675x2*	1700	635x2	1676
TC60200	FR6020050 / 60 / 80	480	1900	435	1876
TC80200	FR8020050 / 60 / 80	680	1900	635	1876
TC100200	FR10020050 / 60 / 80	880	1900	835	1876
TC120200	FR12020050 / 60 / 80	475x2*	1900	435x2	1876
TC160200	FR16020050 / 60 / 80	675x2*	1900	635x2	1876

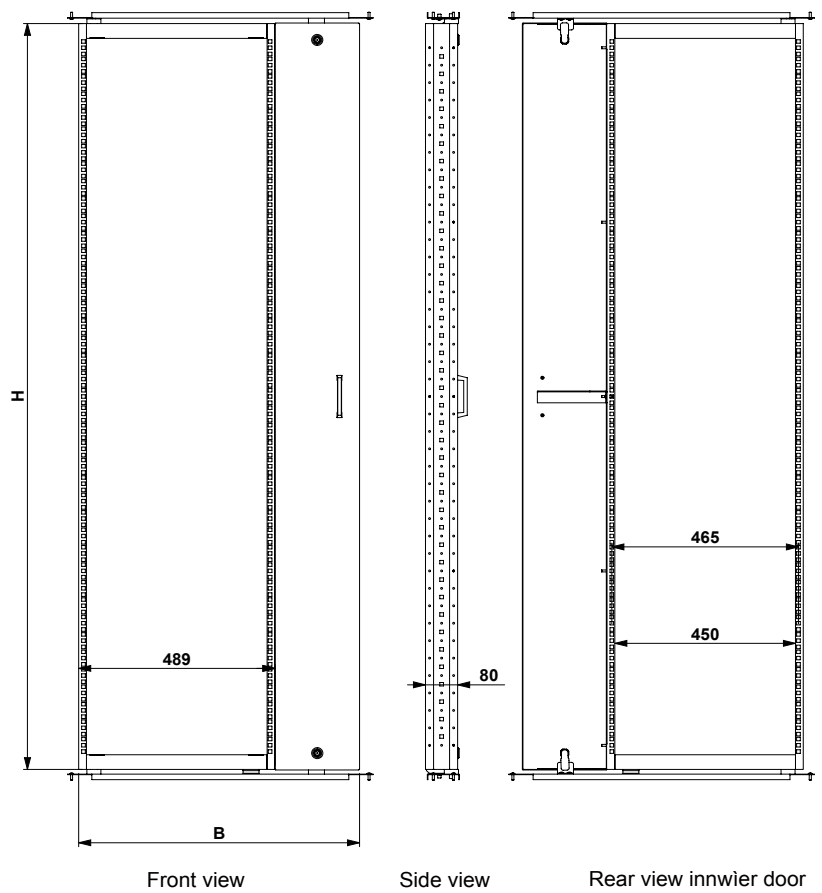


TR: 19" Rack support frame

1.5mm thickness AISI 304L, 19" rack support frame which is fixed for B600 models, swivel for B800 and B1000 models. Rack supporting frame is adjustable in depth with 25mm spacing. Available on request in AISI 316L.



Technical drawings



TECHNICAL DETAILS

CODE	Dimensions 19" frame rack	
	B	H
TR60180	500	1700
TR80180	700	1700
TR100180	900	1700
TR60200	500	1900
TR80200	700	1900
TR100200	900	1900

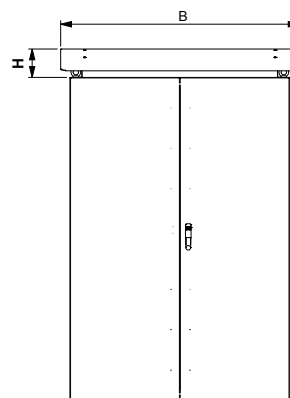


TPA: Rain canopy

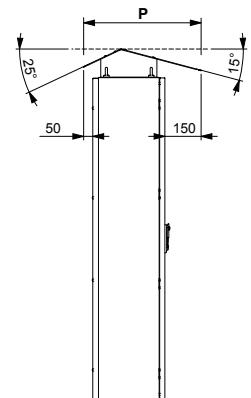
In outdoor settings, protection canopy can be installed to ensure greater protection against atmospheric agents. As standard made of AISI 304L, as option : AISI 316L



Technical drawings



Front view



Side view

TECHNICAL DETAILS

CODE	Description	Dimensions		
		B	H	P
TPA4040	Rain canopy series FR	500	160	600
TPA4050	Rain canopy series FR	500	160	700
TPA4060	Rain canopy series FR	500	160	800
TPA4080	Rain canopy series FR	500	160	1000
TPA6040	Rain canopy series FR	700	160	600
TPA6050	Rain canopy series FR	700	160	700
TPA6060	Rain canopy series FR	700	160	800
TPA6080	Rain canopy series FR	700	160	1000
TPA8040	Rain canopy series FR	900	160	600
TPA8050	Rain canopy series FR	900	160	700
TPA8060	Rain canopy series FR	900	160	800
TPA8080	Rain canopy series FR	900	160	1000
TPA10040	Rain canopy series FR	1100	160	600
TPA10050	Rain canopy series FR	1100	160	700
TPA10060	Rain canopy series FR	1100	160	800
TPA10080	Rain canopy series FR	1100	160	1000
TPA12040	Rain canopy series FR	1300	160	600
TPA12050	Rain canopy series FR	1300	160	700
TPA12060	Rain canopy series FR	1300	160	800
TPA12080	Rain canopy series FR	1300	160	1000
TPA16040	Rain canopy series FR	1700	160	600
TPA16050	Rain canopy series FR	1700	160	700
TPA16060	Rain canopy series FR	1700	160	800
TPA16080	Rain canopy series FR	1700	160	1000
TPA24040	Rain canopy series FR	2500	160	600
TPA24050	Rain canopy series FR	2500	160	700
TPA24060	Rain canopy series FR	2500	160	800
TPA24080	Rain canopy series FR	2500	160	1000



TM: Modular frame + panels

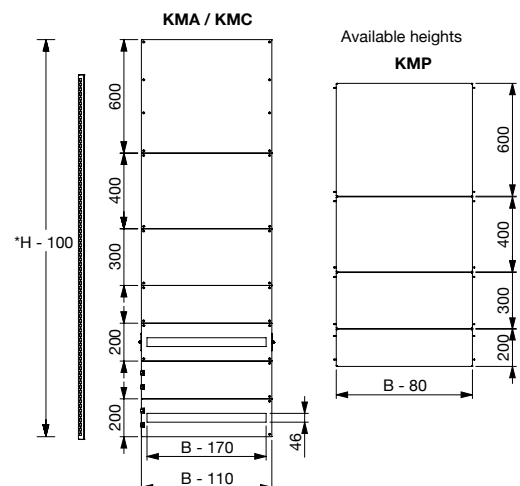
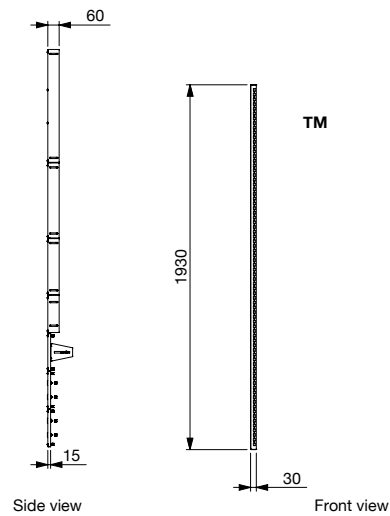
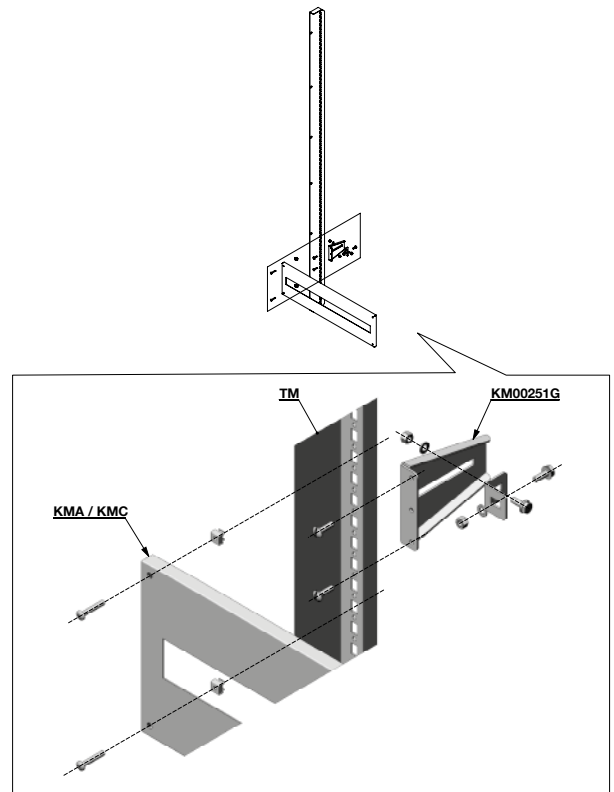
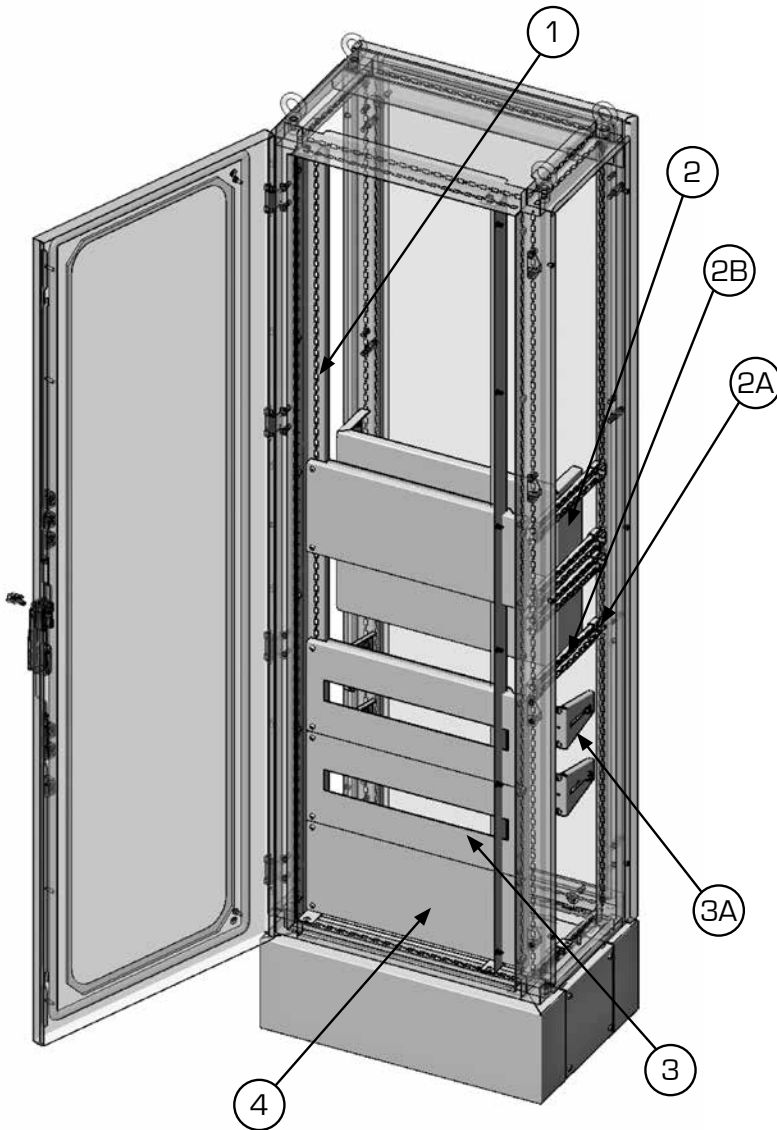


TECHNICAL DETAILS

CODE	Description	Dimensions		Weight Kg	N. Modules
		B	H		
TM1800	Modular frame kit serie FR	30	1730	5,00	
TM2000	Modular frame kit serie FR	30	1930	7,00	
KMA6020 / KMC6020	KMA open panel / KMC solid panel	475	200	1,00	22
KMA6030 / KMC6030	KMA open panel / KMC solid panel	475	300	1,20	22
KMA6040 / KMC6040	KMA open panel / KMC solid panel	475	400	1,50	22
KMA6060 / KMC6060	KMA open panel / KMC solid panel	475	600	2,50	22
KMA8020 / KMC8020	KMA open panel / KMC solid panel	675	200	1,20	30
KMA8030 / KMC8030	KMA open panel / KMC solid panel	675	300	1,50	30
KMA8040 / KMC8040	KMA open panel / KMC solid panel	675	400	2	30
KMA8060 / KMC8060	KMA open panel / KMC solid panel	675	600	3	30
KMA10020 / KMC10020	KMA open panel / KMC solid panel	775	200	2	42
KMA10030 / KMC10030	KMA open panel / KMC solid panel	775	300	2,5	42
KMA10040 / KMC10040	KMA open panel / KMC solid panel	775	400	3	42
KMA10060 / KMC10060	KMA open panel / KMC solid panel	775	600	4,5	42
KM00251G	Modular frame kit serie FR	-	-		
KMP6020	Partial plate	480	200	2,5	
KMP6030	Partial plate	480	300	3	
KMP6040	Partial plate	480	400	4	
KMP6060	Partial plate	480	600	5	
KMP8020	Partial plate	680	200	3,5	
KMP8030	Partial plate	680	300	4	
KMP8040	Partial plate	680	400	5	
KMP8060	Partial plate	680	600	6	
KMP10020	Partial plate	880	200	4	
KMP10030	Partial plate	880	300	5	
KMP10040	Partial plate	880	400	6,5	
KMP10060	Partial plate	880	600	7,5	
KMC605	Compensation solid panel	475	50		
KMC805	Compensation solid panel	675	50		
KMC1005	Compensation solid panel	775	50		



Technical drawings



TECHNICAL DETAILS

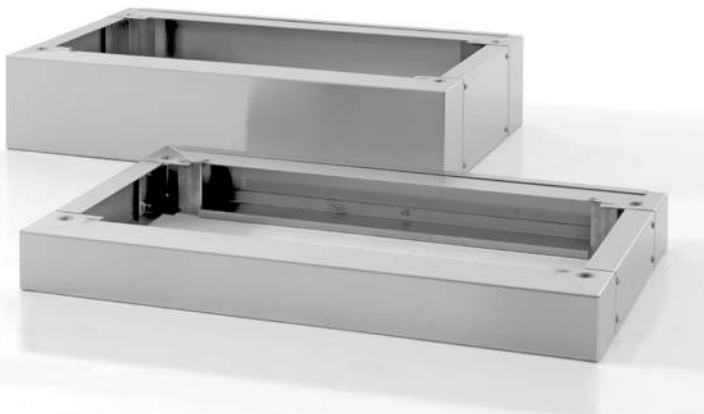
	POS.	CODE	Description	Q.TA'
MANDATORY	1	TM1800	FRAME KIT MODULAR FR H1800	1
MATCHING WITH	2	KMP6020	PARTIAL PLATE L600 H200	2
MATCHING WITH	3	KMA6020	OPEN MODULAR PANEL B600XH200	2
MATCHING WITH	4	KMC6020	SOLID PANEL B600XH200	3
MATCHING WITH	2B	TPA00400	DEPTH PROFILE NEW P400	1
MATCHING WITH	3A	KM00251G	MODULES FIXING BRA- CKET ARMOD-ZN	2
MATCHING WITH	2A	KM00260	ANGULAR KIT PROFILES FR H25	2

* The total height of the panels must be: H cabinet - 100 mm AACG

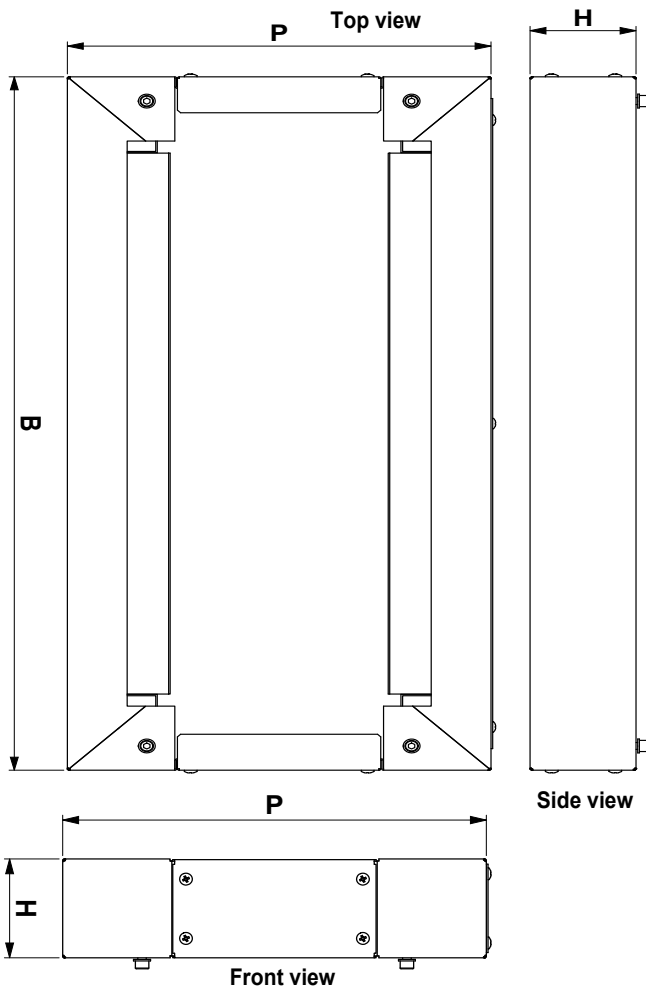


FZ: Plinths

The FZ plinth is made of stainless steel, to provide a floor mounting. Heights can be: H100 or H200mm. The plinth can be inspected on the sides with openings on the bottom. In very adverse settings, where maximum protection from atmospheric agents is required, the H100 and H200 sizes can be installed with the hygienic FZ3.S plinth with closed bottom; can be inspected through flanged sides.



Technical drawings



TECHNICAL DETAILS

CODE	Dimensions		
	B	H	P
FZ3401040	400	100	400
FZ3401050	400	100	500
FZ3401060	400	100	600
FZ3401080	400	100	800
FZ3601040	600	100	400
FZ3601050	600	100	500
FZ3601060	600	100	600
FZ3601080	600	100	800
FZ3801040	800	100	400
FZ3801050	800	100	500
FZ3801060	800	100	600
FZ3801080	800	100	800
FZ31001040	1000	100	400
FZ31001050	1000	100	500
FZ31001060	1000	100	600
FZ31001080	1000	100	800
FZ31201040	1200	100	400
FZ31201050	1200	100	500
FZ31201060	1200	100	600
FZ31201080	1200	100	800
FZ31601040	1600	100	400
FZ31601050	1600	100	500
FZ31601060	1600	100	600
FZ31601080	1600	100	800
FZ32401040	2400	100	400
FZ32401050	2400	100	500
FZ32401060	2400	100	600
FZ32401080	2400	100	800
FZ3402040	400	200	400
FZ3402050	400	200	500
FZ3402060	400	200	600
FZ3402080	400	200	800
FZ3602040	600	200	400
FZ3602050	600	200	500
FZ3602060	600	200	600
FZ3602080	600	200	800
FZ3802040	800	200	400
FZ3802050	800	200	500
FZ3802060	800	200	600
FZ3802080	800	200	800
FZ31002040	1000	200	400
FZ31002050	1000	200	500
FZ31002060	1000	200	600
FZ31002080	1000	200	800
FZ31202040	1200	200	400
FZ31202050	1200	200	500
FZ31202060	1200	200	600
FZ31202080	1200	200	800
FZ31602040	1600	200	400
FZ31602050	1600	200	500
FZ31602060	1600	200	600
FZ31602080	1600	200	800
FZ32402040	2400	200	400
FZ32402050	2400	200	500
FZ32402060	2400	200	600
FZ32402080	2400	200	800

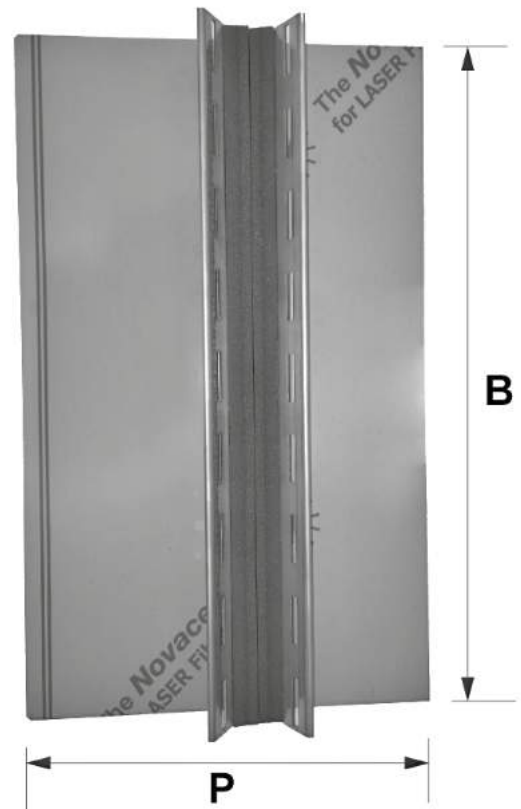


FLG: Double entry flange

As an alternative to the standard cable gland plate, is available a double cable entry flange, made in two parts with a sealing gasket, which makes easier the cable entry. Its use is recommended in combination with the hygienic base. They are AISI 304L or AISI 316L.

TECHNICAL DETAILS

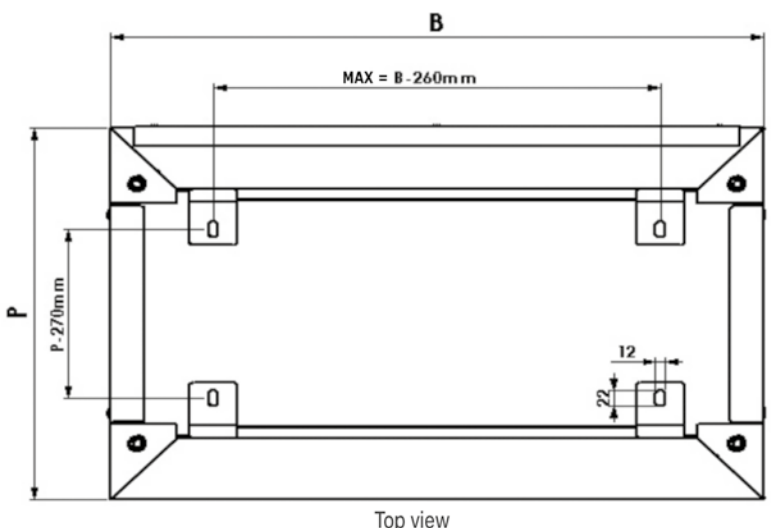
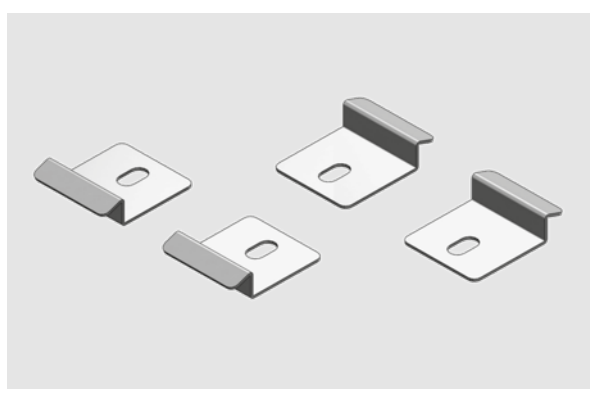
CODE	Description	Dimensions	
		B	P
FLG4040R	Double entry flange serie FR	290	200
FLG4050R	Double entry flange serie FR	290	300
FLG4060R	Double entry flange serie FR	290	400
FLG4080R	Double entry flange serie FR	290	600
FLG6040R	Double entry flange serie FR	490	200
FLG6050R	Double entry flange serie FR	490	300
FLG6060R	Double entry flange serie FR	490	400
FLG6080R	Double entry flange serie FR	490	600
FLG8040R	Double entry flange serie FR	690	200
FLG8050R	Double entry flange serie FR	690	300
FLG8060R	Double entry flange serie FR	690	400
FLG8080R	Double entry flange serie FR	690	600
FLG10040R	Double entry flange serie FR	890	200
FLG10050R	Double entry flange serie FR	890	300
FLG10060R	Double entry flange serie FR	890	400
FLG10080R	Double entry flange serie FR	890	600



KFZP: Floor plinth fixing kit

The KFZP Kit cannot be used when the plinth is mounted on a FZ ... S hygienic base. For these plinths please use the feet anchors.

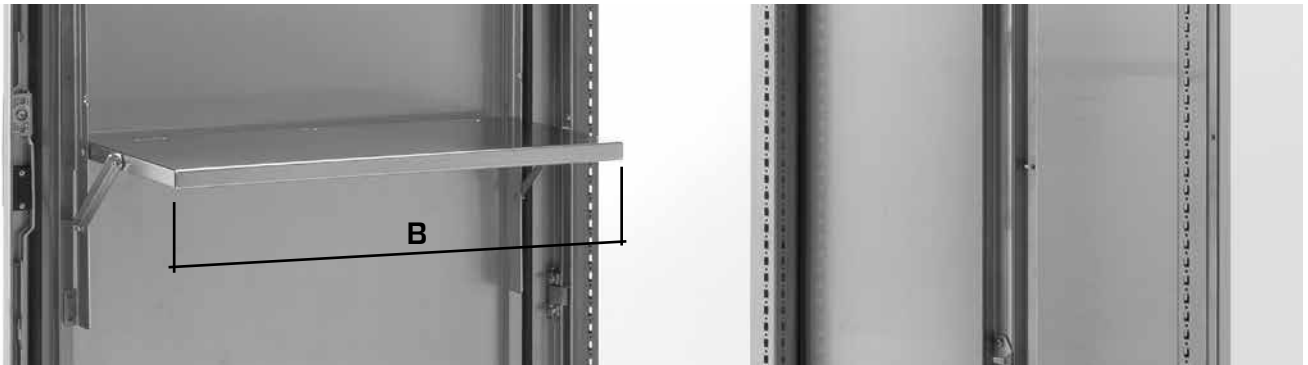
Technical drawings





PL: Component shelves

Mounted on tubular frames, shelves offer a large supporting surface. Quick positioning, to be tilted after use. AISI 304L, as option: AISI 316L.

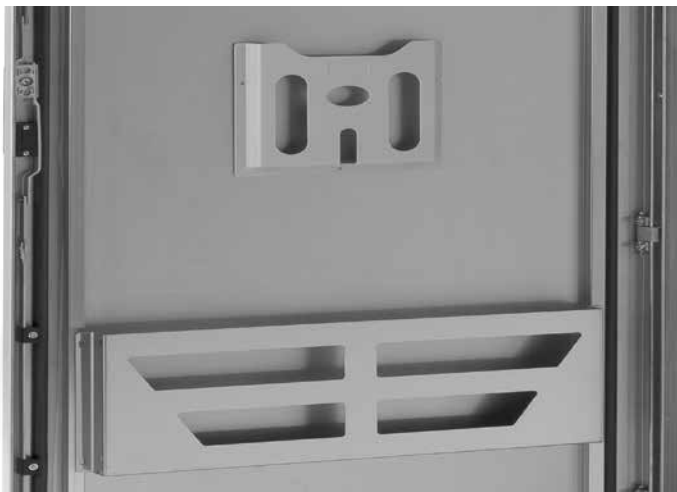


TECHNICAL DETAILS

CODE	Description	Dimensions	
		B	Q. tà
PL600	Work top B600	600	1
PL800	Work top B800	800	1
PL1000	Work top B1000	1000	1

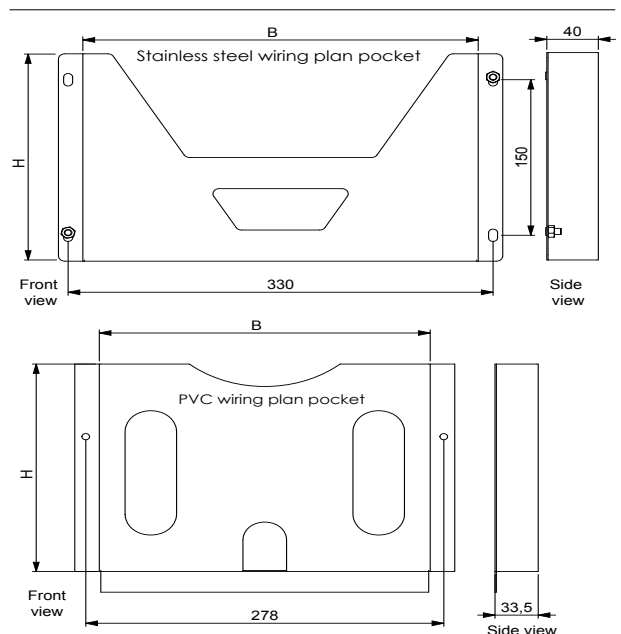
TS: wiring plan pocket

Internal pockets suitable for A3 / A4 format documents. Available in stainless.steel and PVC.



* They are fixed on the door frame

Technical drawings



TECHNICAL DETAILS

CODE	Description	Dimensions	
		B	P
TS00030	PVC wiring plan pocket A4	210	300
TS00010	Stainless.st. wiring plan pocket A4	210	300
*TS00400	Stainless.st. wiring plan pocket B400	400	250
*TS00600	Stainless.st. wiring plan pocket B600	600	250
*TS00800	Stainless .st. wiring plan pocket B800	800	250
*TS01000	Stainless.st. wiring plan pocket B1000	1000	250



PDP: Feet for plinth

In combination with plinths or floor supports, there are jointed feet with a reinforced polyamide base, 80mm diameter and M12 - M16 - M20 stainless steel leg; or 60mm diameter made in stainless steel adjustable in two heights. The code PDP00060 is provided with a flange for fixing to the floor.



TECHNICAL DETAILS	
CODE	Description
PDP00050	Kit 4 feet Ø 60mm M12 stainless steel 105 - 165
PDP00060	Kit 4 feet Ø 60mm M12 st.st. H95 - 165 with ground fixing
PDP00070	Kit 4 feet Ø 60mm M12 st.st. H140 - 210
PDP00100	Foot M16xH230 with polyamide base
PDP00111	Foot M20xH260 with polyamide base
PDP00112	Foot M12xH85 with polyamide base

CF: Pair of side panels



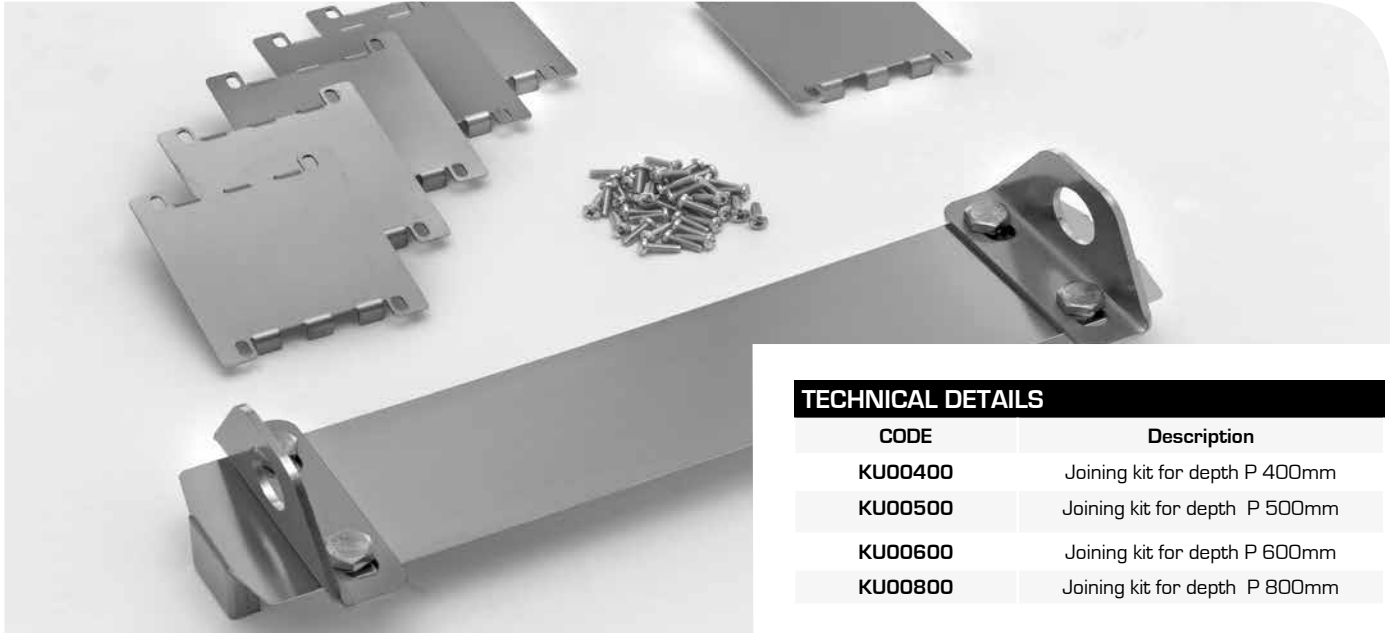
Stainless steel side panels with expanded polyurethane gasket for side closing of the FR series cabinets

TECHNICAL DETAILS			
CODE	Description	Dimensions	
		B	H
CF40180	Pair of side panels FR	400	1800
CF50180	Pair of side panels FR	500	1800
CF60180	Pair of side panels FR	600	1800
CF80180	Pair of side panels FR	800	1800
CF40200	Pair of side panels FR	400	2000
CF50200	Pair of side panels FR	500	2000
CF60200	Pair of side panels FR	600	2000
CF80200	Pair of side panels FR	800	2000



KU: Joining kit

Kit for joining multiple modules of FR series cabinets into one body. The kit includes locking squares to be inserted between the uprights, lifting bracket, sealing gasket and top cover.



TECHNICAL DETAILS

CODE	Description
KU00400	Joining kit for depth P 400mm
KU00500	Joining kit for depth P 500mm
KU00600	Joining kit for depth P 600mm
KU00800	Joining kit for depth P 800mm

PSO/PSV: separation wall Vertical /horizontal

The horizontal separation panel provides inner compartments
The vertical separation panel is designed to be inserted between the coupled modules to provide a partition between them.
They are made of galvanized steel, on request they can be made of AISI 304L and AISI 316L.



TECHNICAL DETAILS

CODE	Dimensions	
	B	P
PS004040	400	400
PS004050	400	500
PS004060	400	600
PS004080	400	800
PS006040	600	400
PS006050	600	500
PS006060	600	600
PS006080	600	800
PS008040	800	400
PS008050	800	500
PS008060	800	600
PS008080	800	800
PS010040	1000	400
PS010050	1000	500
PS010060	1000	600
PS010080	1000	800
PSV40180	400	1800
PSV50180	500	1800
PSV60180	600	1800
PSV80180	800	1800
PSV40200	400	2000
PSV50200	500	2000
PSV60200	600	2000
PSV80200	800	2000



Bars kit

Bars are designed for depth, width, height mounting and door frames installation in order to provide different type of inner structures for instrument housing. All the profiles are drilled with 25mm spacing.



TECHNICAL DETAILS

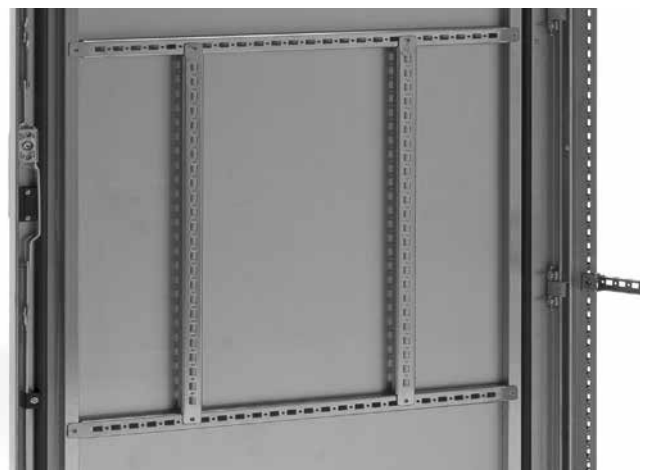
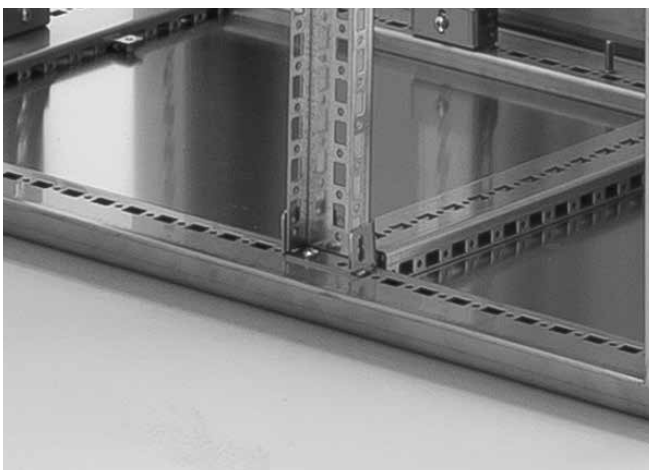
CODE	Description	Q.tà
TAA1800	Set of height profile H1800	2
TAA2000	Set of height profile H2000	2

CODE	Description	Q.tà
TLA00400	Set of width profile B400	2
TLA00600	Set of width profile B600	2
TLA00800	Set of width profile B800	2
TLA01000	Set of width profile B1000	2

CODE	Description	Q.tà
TPA00400	Set of depth profile P400	4
TPA00500	Set of depth profile P500	4
TPA00600	Set of depth profile P600	4
TPA00800	Set of depth profile P800	4

CODE	Description	Q.tà
TPP00600	Set of door profile B 600	4
TPP00800	Set of door profile B 800	4
TPP01000	Set of door profile B 1000	4

CODE	Description	Q.tà
KM00260	Set of angular pieces H 25	4
KM00265	Set of angular pieces H 50 for fixing the TAA codes	4





PP/PPT: Inspection-Protection windows

Used to assure protection of the controls, the PPT windows are provided with a stainless steel frame, with direct fixing of the PP windows. The doors of the windows have a glued lexan on the door, as well as a sealing gasket and a Yale lock wing type.



TECHNICAL DETAILS

CODE	Description	Dimensions		
		B	H	P
PP300300	Window with direct fastening	300	300	55
PP400400	Window with direct fastening	400	400	55
PP450450	Window with direct fastening	450	450	55
PP500500	Window with direct fastening	500	500	55
PP500750	Window with direct fastening	500	750	55
PP600800	Window with direct fastening	600	800	55
PPT400400	Window with frame	400	400	95
PPT450450	Window with frame	450	450	95
PPT500500	Window with frame	500	500	95
PPT500750	Window with frame	500	750	95
PPT600800	Window with frame	600	800	95



VC: Cable compartment

Designed to allow cables to be installed into the upper part of the cabinet, H200mm with side and rear inspections, as an option a front opening is available.

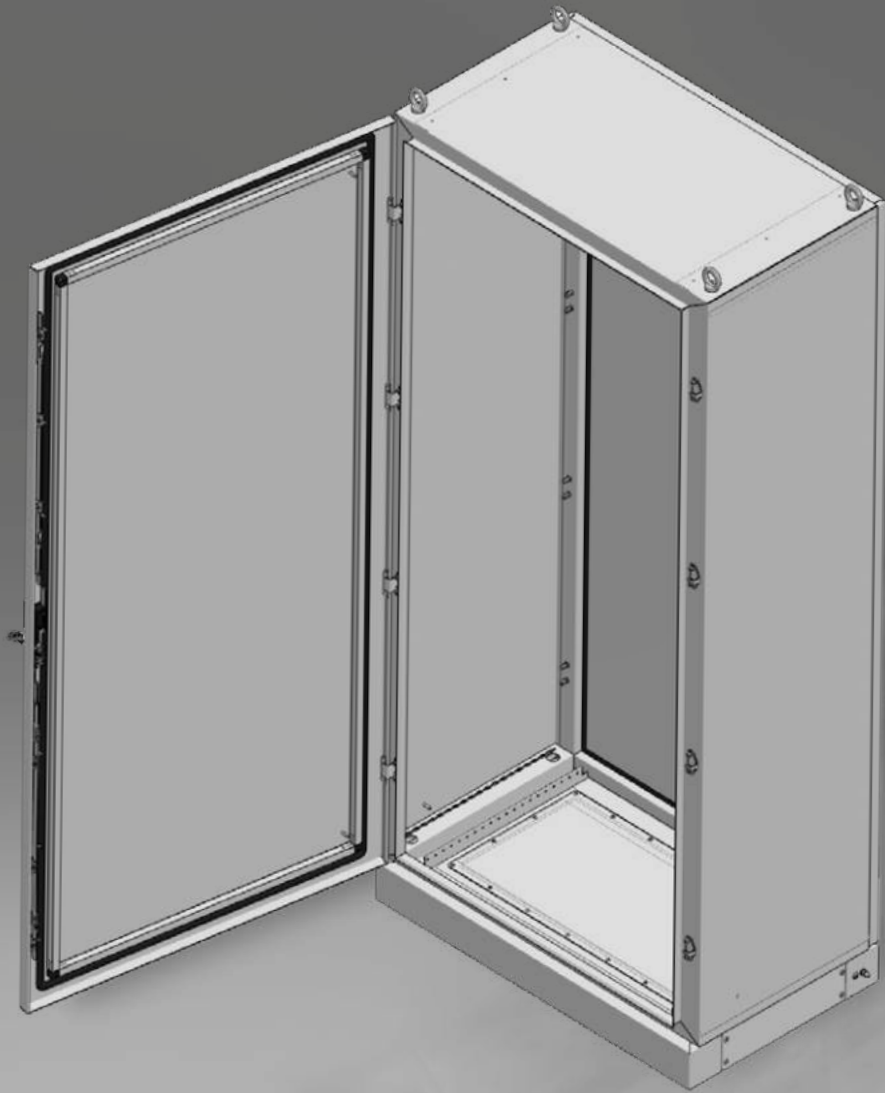
TECHNICAL DETAILS				
CODE	Description	Dimensions		
		B	H	P
VC3402040	cable compartment inspection on 3 sides	400	200	400
VC3402050	cable compartment inspection on 3 sides	400	200	500
VC3402060	cable compartment inspection on 3 sides	400	200	600
VC3402080	cable compartment inspection on 3 sides	400	200	800
VC3602040	cable compartment inspection on 3 sides	600	200	400
VC3602050	cable compartment inspection on 3 sides	600	200	500
VC3602060	cable compartment inspection on 3 sides	600	200	600
VC3602080	cable compartment inspection on 3 sides	600	200	800
VC3802040	cable compartment inspection on 3 sides	800	200	400
VC3802050	cable compartment inspection on 3 sides	800	200	500
VC3802060	cable compartment inspection on 3 sides	800	200	600
VC3802080	cable compartment inspection on 3 sides	800	200	800
VC31002040	cable compartment inspection on 3 sides	1000	200	400
VC31002050	cable compartment inspection on 3 sides	1000	200	500
VC31002060	cable compartment inspection on 3 sides	1000	200	600
VC31002080	cable compartment inspection on 3 sides	1000	200	800
VC31202040	cable compartment inspection on 3 sides	1200	200	400
VC31202050	cable compartment inspection on 3 sides	1200	200	500
VC31202060	cable compartment inspection on 3 sides	1200	200	600
VC31202080	cable compartment inspection on 3 sides	1200	200	800
VC31602040	cable compartment inspection on 3 sides	1600	200	400
VC31602050	cable compartment inspection on 3 sides	1600	200	500
VC31602060	cable compartment inspection on 3 sides	1600	200	600
VC31602080	cable compartment inspection on 3 sides	1600	200	800
VC32402040	cable compartment inspection on 3 sides	2400	200	400
VC32402050	cable compartment inspection on 3 sides	2400	200	500
VC32402060	cable compartment inspection on 3 sides	2400	200	600
VC32402080	cable compartment inspection on 3 sides	2400	200	800

Armod
Modular cabinets

FIT: Mechanical interlock

Security system that allows the locking of the outer doors of a row of FR cabinets , by means of just one main lock.

TECHNICAL DETAILS				
CODE	Description	Dimensions		Q.ty
		B	H	Nr.
FIT0000	Supports and rod slides	-	-	1
FIT600	Rod for cabinet B600	600	-	1
FIT800	Rod for cabinet B800	800	-	1
FIT1000	Rod for cabinet B1000	1000	-	1
FIT1200	Rod for cabinet B1200	1200	-	1
FIT1600	Rod for cabinet o B1600	1600	-	1





ATEX



Laws and reference standards

Directive ATEX 94/9/CE	Protective equipment and systems intended for use in potentially explosive atmospheres.
Guidelines ATEX 94/9/CE	Guide to the application of the ATEX Directive 94/9 / EC (IV edition))
EN 60079-0:2012+A11:2013	Electrical constructions for explosive atmospheres. Part 0: general requirements
EN 60079-7:2015	Electrical constructions for explosive atmospheres. Part 7: Enhanced security protection mode "e"
EN 60079-31:2014	Electrical equipment for explosive atmospheres due to the presence of combustible dusts. Part 31: Apparatus with protection mode through enclosures "t"

Legenda

II	=	group II (surface)
2	=	category 2 (zone 1/21)
G	=	explosive atmosphere with the presence of gas or vapors
Ex e	=	protection mode "e" (increased security)
IIC	=	gas group
Gc	=	EPL (Gas)
D	=	explosive atmosphere with the presence of dust
Ex tb	=	protection mode "tb" (using enclosures)
IIIC	=	dust group
Dc	=	EPL (dusts)

Product Description

Linear series enclosures are made of stainless steel.

The enclosures are components suitable for housing electrical equipment. The series contains a wide range of sizes. The type of locking and seal guarantee the IP66 protection degree.

The empty enclosures are Ex components that must be used only if they are integrated in ATEX equipments, therefore, the complete compliance to the standard must be granted by the entity responsible of the overall equipment supply. No product of this series has any transparent part. TIG welding process is applied and the welds are watertight.

The polyurethanic seal is provided by means of an automatic dispenser, exact mixing of the components and proper size accuracy is granted by a precision electronic system. The entire production process is provided in accordance and followed by the internal quality system UNIISO 9001-2008 standard.

Linear ATEX series, FDX polyurethanic gasket



The new Linear IP66 series boxes enlarges the range of control panels and provides industry with a large number of solutions in particular in the field of automation and control

AVAILABLE IN N.17 SIZES ACCORDING TO THE FOLLOWING TABLE:

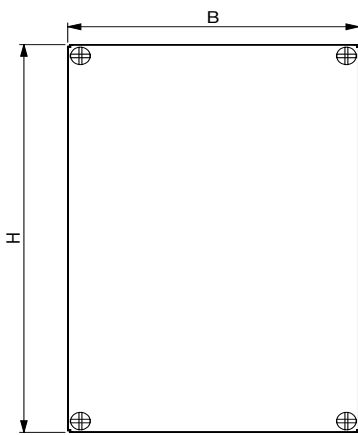
Material:	AISI 304L steel sheet - 12/10 - On request AISI 316L -12/10
Installation - mode:	Wall - Floor
Degree of protection IP	IP66
Degree of protection IK	IK10
Installation - location	internal / outdoor
Max. and min. service T=	-20°C a + 60°C



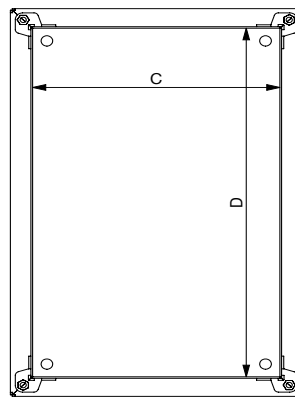
TECHNICAL DETAILS

CODE	Dim.			Volume m ³	Weight Kg	Width available for side drilling A	Front Accessible area		Rear side fixing points	Cover fixing points	Wall fixing distance		Mounting plate		Mounting plate code	Heat load dissipation
	B	H	P				C	D			E	F	G	I		
FDX10109	100	100	90	0,001	0,704	70,5	69,6	69,6	2	4	-	50	-	-	-	5W
FDX10159	100	150	90	0,001	0,946	70,5	69,6	119,6	2	4	-	100	65	115	PIL1015G	6,5W
FDX10209	100	200	90	0,002	1,177	70,5	69,6	169,6	2	4	-	150	65	165	PIL1020G	8W
FDX15159	150	150	90	0,002	1,232	70,5	119,6	119,6	2	4	-	100	115	115	PIL1515G	8W
FDX151512	150	150	120	0,003	1,419	100,5	119,6	119,6	2	4	-	100	115	115	PIL1515G	9,5W
FDX15309	150	300	90	0,004	2,101	70,5	119,6	269,6	2	4	-	250	115	265	PIL1530G	12,5W
FDX153012	150	300	120	0,005	2,376	100,5	119,6	269,6	2	4	-	250	115	265	PIL1530G	13,5W
FDX20209	200	200	90	0,004	1,870	70,5	169,6	169,6	4	4	150	150	165	165	PIL2020G	11,5W
FDX202012	200	200	120	0,005	2,112	100,5	169,6	169,6	4	4	150	150	165	165	PIL2020G	12,5W
FDX20309	200	300	90	0,005	2,552	70,5	169,6	269,6	4	4	150	250	165	265	PIL2030G	14,5W
FDX203012	200	300	120	0,007	2,860	100,5	169,6	269,6	4	4	150	250	165	265	PIL2030G	16W
FDX204012	200	400	120	0,010	3,608	100,5	169,6	369,6	4	4	150	350	165	365	PIL2040G	19W
FDX303012	300	300	120	0,011	3,817	100,5	269,6	269,6	4	4	250	250	265	265	PIL3030G	20W
FDX304015	300	400	150	0,018	5,214	130,5	269,6	369,6	4	4	250	350	265	365	PIL3040G	26W
FDX404015	400	400	150	0,024	6,446	130,5	369,6	369,6	4	4	350	350	365	365	PIL4040G	30W
FDX406015	400	600	150	0,036	9,020	130,5	369,6	569,6	4	6	350	550	357	565	PIL4060G	43W
FDX606020	600	600	200	0,072	13,651	180,5	569,6	569,6	4	8	550	550	557	565	PIL6060G	53W

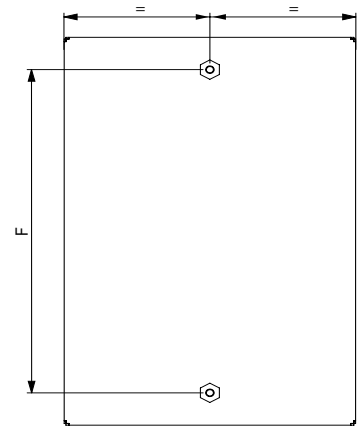
Technical drawings



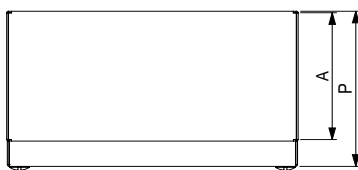
Front view



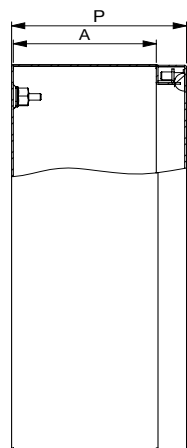
Front view without lid



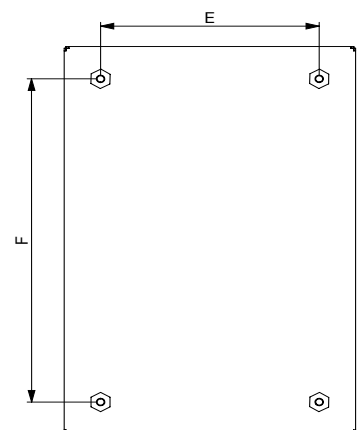
Rear view



View from top



Side view



Rear view



Installation area / substances

The Linear series empty boxes are components designed to be used in the presence of explosive gases or atmospheres of steam and combustible dusts, with the following classification:

Area 1/21

Max e Min. T_{service} = - 20°C a + 60°C

Documents

User guidelines , prescription forms and warnings to ensure safety, as well as the instructions / procedures to be adopted for the maintenance of the Linear series empty boxes are all included and described in the Safety Instructions, to which please refer for all details and information.

Marking

For applications in the area 1/21:

II 2G Ex e IIC Gb
II 2D Ex tb IIIC Db



Linear ATEX series, FDS silicone gasket



Atex

The new Linear IP66 series boxes enlarges the range of control panels and provides industry with a large number of solutions in particular in the field of automation and control.

AVAILABLE IN N. 17 SIZES ACCORDING TO THE FOLLOWING TABLE

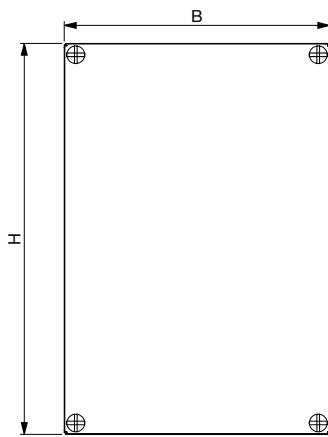
Material:	AISI 304L steel sheet - 12/10	On request AISI 316L -12/10
Installation - mode:	Wall - Floor	
Degree of protection IP	IP66	
Degree of protection IK	IK10	
Installation - location	internal / external	
Max. and min. service T =	- 40°C a +110°C	



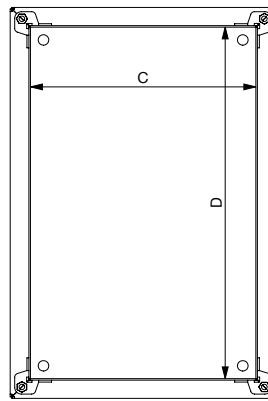
TECHNICAL DETAILS

CODE	Dim.			Weight m ³	Volume Kg	Available width for side drilling		Available width for door drilling		Mounting plate	Wall fixing distance	N° of locks		Heat load dissipation		Mounting plate code	Heat load dissipation
	B	H	P			A	C	D	E			F	G	I			
FDS10109	100	100	90	0,001	0,704	70,5	69,6	69,6	2	4	-	50	-	-	-	-	18,5W
FDS10159	100	150	90	0,001	0,946	70,5	69,6	119,6	2	4	-	100	65	115	PIL1015G	23W	
FDS10209	100	200	90	0,002	1,177	70,5	69,6	169,6	2	4	-	150	65	165	PIL1020G	27W	
FDS15159	150	150	90	0,002	1,232	70,5	119,6	119,6	2	4	-	100	115	115	PIL1515G	28W	
FDS151512	150	150	120	0,003	1,419	100,5	119,6	119,6	2	4	-	100	115	115	PIL1515G	32W	
FDS15309	150	300	90	0,004	2,101	70,5	119,6	269,6	2	4	-	250	115	265	PIL1530G	43W	
FDS153012	150	300	120	0,005	2,376	100,5	119,6	269,6	2	4	-	250	115	265	PIL1530G	48W	
FDS20209	200	200	90	0,004	1,870	70,5	169,6	169,6	4	4	150	150	165	165	PIL2020G	40W	
FDS202012	200	200	120	0,005	2,112	100,5	169,6	169,6	4	4	150	150	165	165	PIL2020G	44W	
FDS20309	200	300	90	0,005	2,552	70,5	169,6	269,6	4	4	150	250	165	265	PIL2030G	51W	
FDS203012	200	300	120	0,007	2,860	100,5	169,6	269,6	4	4	150	250	165	265	PIL2030G	56W	
FDS204012	200	400	120	0,010	3,608	100,5	169,6	369,6	4	4	150	350	165	365	PIL2040G	67W	
FDS303012	300	300	120	0,011	3,817	100,5	269,6	269,6	4	4	250	250	265	265	PIL3030G	70W	
FDS304015	300	400	150	0,018	5,214	130,5	269,6	369,6	4	4	250	350	265	365	PIL3040G	90W	
FDS404015	400	400	150	0,024	6,446	130,5	369,6	369,6	4	4	350	350	365	365	PIL4040G	106W	
FDS406015	400	600	150	0,036	9,020	130,5	369,6	569,6	4	6	350	550	357	565	PIL4060G	148W	
FDS606020	600	600	200	0,072	13,651	180,5	569,6	569,6	4	8	550	550	557	565	PIL6060G	188W	

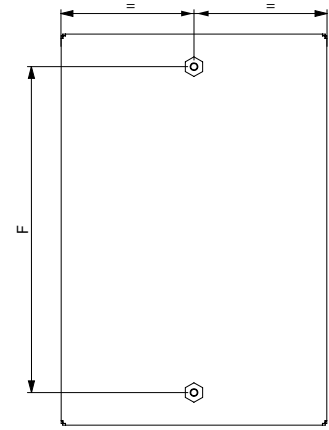
Technical drawings



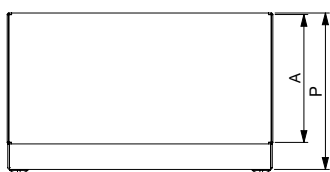
Front view



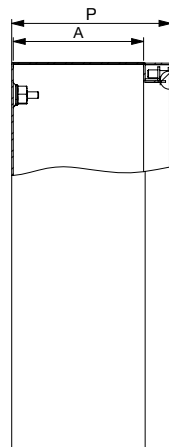
Front view without lid



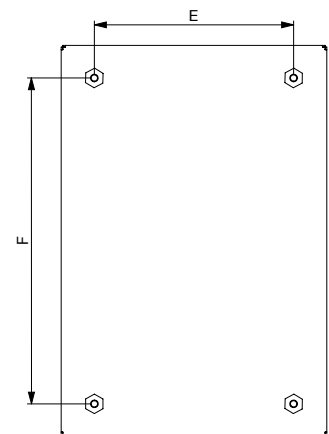
Rear view



View from top



Side view



Rear view



Installation area / substances

The Linear series empty boxes are components designed to be used in the presence of explosive gases or atmospheres of steam and combustible dusts, with the following classification:

Area 1/21

Max e Min. T_{service} = - 40°C a + 110°C

Documents

User guidelines, prescription forms and warnings to ensure safety, as well as the instructions/procedures to be adopted for the maintenance of the Linear series empty boxes are all included and described in the Safety Instructions, to which please refer for all details and information.

Marking

For applications in the area 1/21:

**II 2G Ex e IIC Gb
II 2D Ex tb IIIC Db**





Product Description

Smart series enclosures are made of stainless steel.

The enclosures are components suitable for housing electrical equipment. The series contains a wide range of sizes. The type of locking and seal guarantees the IP66 protection degree.

The empty enclosures are Ex components that must be used only if they are integrated in ATEX equipments, therefore, the complete compliance to the standard must be granted by the entity responsible of the overall equipment supply. No product of this series has any transparent part. TIG welding process is applied and the welds are watertight.

The polyurethanic seal is provided by means of an automatic dispenser, exact mixing of the components and proper size accuracy is granted by a precision electronic system. The entire production process is provided in accordance and followed by the internal quality system UNISO 9001-2008 standard

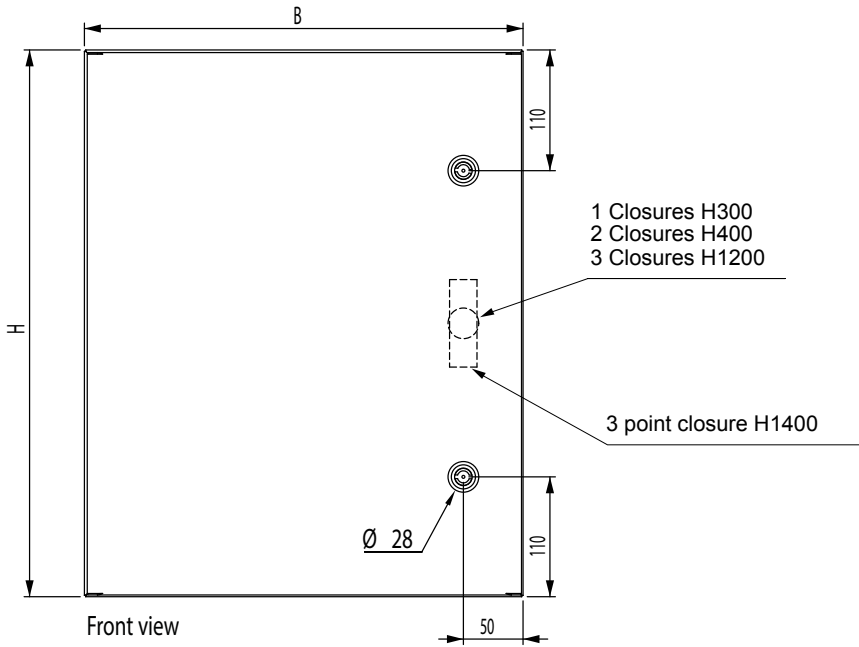
Smart Atex series, FQX polyurethanic gasket



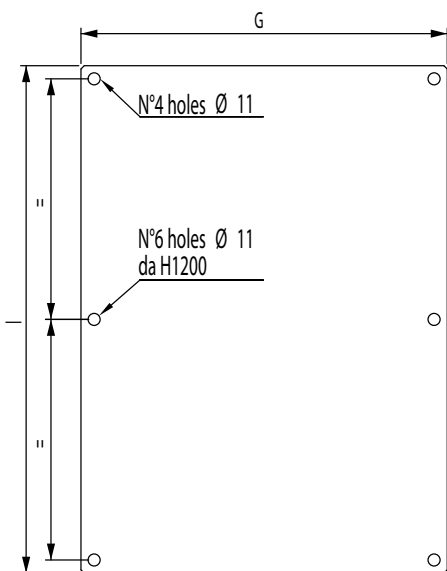
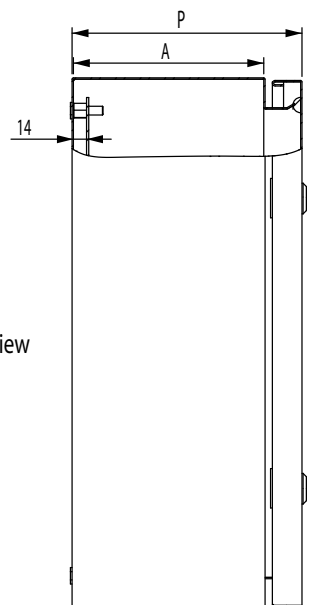
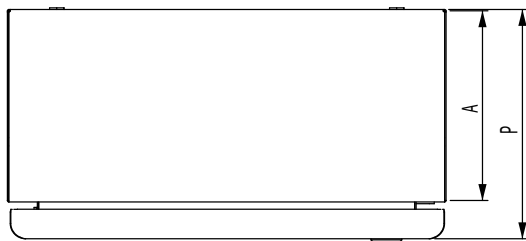
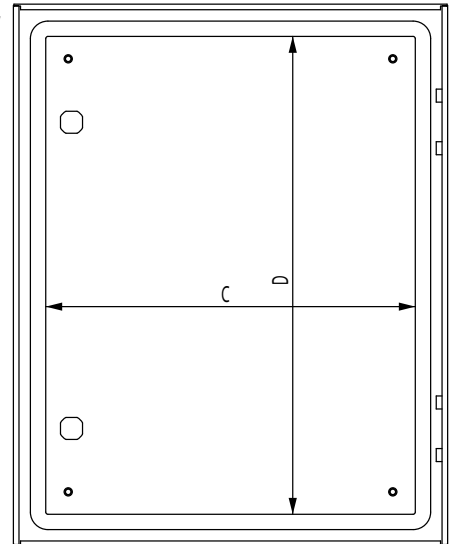
The new Linear IP66 series boxes enlarges the range of control panels and provides industry with a large number of solutions in particular in the field of automation and control.

AVAILABLE IN 43 DIMENSIONAL SOLUTIONS ACCORDING TO THE FOLLOWING TABLE:

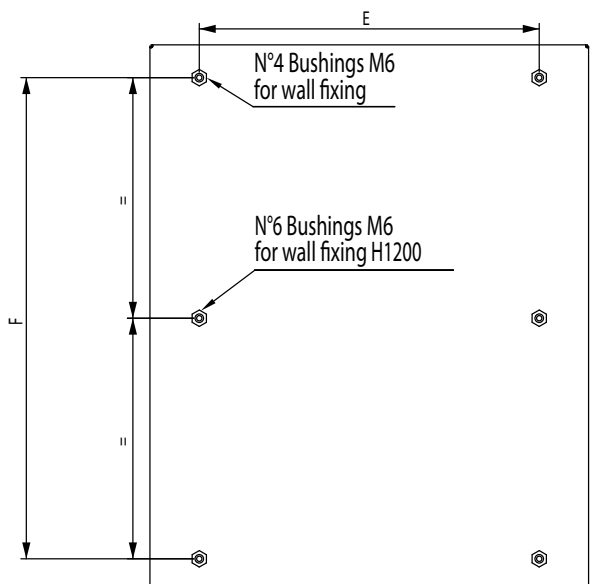
Material :	AISI 304L steel sheet - 12/10 and 15/10	On request AISI 316L -12/10 and 15/10
Installation - mode:	Wall - Floor	
Degree of protection IP	IP66 closed door	
Degree of protection IK	IK10	
Installation - location	internal / external	
Max. and min. service T =	-20°C a + 60°C	



Door internal view



Rear view





TECHNICAL DETAILS

CODE	Dimensions			Weight Kg	Volume m³	Available width for side drilling			Available width for door drilling		Mounting plate		Wall fixing distance		N° of locks	Heat load dissipation
	B	H	P			A	C	D	G	I	E	F				
FQS203015	200	300	150	5,91	0,011	116	237	116	138	268	110	240	1	14W		
FQS303015	300	300	150	7,65	0,016	116	237	116	238	268	210	240	1	18W		
FQS303021	300	300	210	9,71	0,023	176	237	176	238	268	210	240	1	20W		
FQS304015	300	400	150	9,31	0,022	116	337	116	238	368	210	340	1	22W		
FQS304021	300	400	210	11,53	0,030	176	337	176	238	368	210	340	1	25W		
FQS403015	400	300	150	9,39	0,022	116	237	116	338	268	310	240	1	21W		
FQS404021	400	400	210	13,87	0,040	176	337	176	338	368	310	340	2	29W		
FQS405021	400	500	210	16,14	0,050	176	437	176	338	468	310	440	2	35W		
FQS405025	400	500	250	18,01	0,060	216	437	216	338	468	310	440	2	37W		
FQS406021	400	600	210	18,41	0,060	176	537	176	338	568	310	540	2	41W		
FQS454521	450	450	210	16,29	0,051	176	387	176	388	418	360	390	2	35W		
FQS454525	450	450	250	18,16	0,061	216	387	216	388	418	360	390	2	37W		
FQS456025	450	600	250	22,06	0,081	216	537	216	388	568	360	540	2	46W		
FQS505021	500	500	210	18,94	0,063	176	437	176	438	468	410	440	2	41W		
FQS505025	500	500	250	20,91	0,075	216	437	216	438	468	410	440	2	44W		
FQS506021	500	600	210	21,66	0,076	176	537	176	438	568	410	540	2	46W		
FQS507021	500	700	210	24,39	0,088	176	637	176	438	668	410	640	2	52W		
FQS507025	500	700	250	26,56	0,105	216	637	216	438	668	410	640	2	55W		
FQS604021	600	400	210	18,56	0,060	176	337	176	538	368	510	340	2	39W		
FQS604525	600	450	250	22,17	0,081	216	387	216	538	418	510	390	2	44W		
FQS606021	600	600	210	24,92	0,091	176	537	176	538	568	510	540	2	52W		
FQS606025	600	600	250	27,09	0,108	216	537	216	538	568	510	540	2	55W		
FQS606030	600	600	300	29,95	0,130	266	537	266	538	568	510	540	2	58W		
FQS606040	600	600	400	36,59	0,173	366	537	366	538	568	510	540	2	66W		
FQS608021	600	800	210	33,05	0,121	176	737	176	538	768	510	740	2	66W		
FQS608025	600	800	250	35,42	0,144	216	737	216	538	768	510	740	2	68W		
FQS608030	600	800	300	38,52	0,173	266	737	266	538	768	510	740	2	72W		
FQS608040	600	800	400	45,67	0,230	366	737	366	538	768	510	740	2	78W		
FQS609030	600	900	300	47,97	0,194	266	837	266	538	868	510	840	2	77W		
FQS6010030	600	1000	300	51,96	0,216	266	937	266	538	968	510	940	2	82W		
FQS6012030	600	1200	300	59,94	0,259	266	1137	266	538	1168	510	1140	3	99W		
FQS6012040	600	1200	400	70,11	0,346	366	1137	366	538	1168	510	1140	3	110W		
FQS806030	800	600	300	44,14	0,173	266	537	266	738	568	710	540	2	68W		
FQS808030	800	800	300	54,18	0,230	266	737	266	738	768	710	740	2	84W		
FQS8010030	800	1000	300	64,23	0,288	266	937	266	738	968	710	940	2	102W		
FQS8012030	800	1200	300	74,27	0,346	266	1137	266	738	1168	710	1140	3	116W		
FQS8012040	800	1200	400	85,07	0,461	366	1137	366	738	1168	710	1140	3	125W		
FQS6014030	600	1400	300	54,50	0,252	266	1335	266	500	1382	472	1340	1*	110W		
FQS6014040	600	1400	400	59,50	0,336	366	1335	366	500	1382	472	1340	1*	120W		
FQS8014030	800	1400	300	70,00	0,336	266	1335	266	700	1382	672	1340	1*	130W		
FQS8014040	800	1400	400	75,00	0,448	366	1335	366	700	1382	672	1340	1*	132W		
FQS8016030	800	1600	300	77	0,384	266	1535	266	700	1582	672	1540	1*	150W		
FQS8016040	800	1600	400	84	0,512	366	1535	366	700	1582	672	1540	1*	170W		
FQS609025	600	900	250	28	0,19	216	837	216	538	868	510	840	2	74W		

* MULTIPOINT CLOSURE SYSTEM



Installation area / substances

The Smart series empty enclosures are components designed to be used in the presence of explosive gas or vapor atmospheres and combustible dust, with the following classification:

Area 1/21

Max e Min. T_{service} = - 20°C a + 60°C

Documents

User guidelines , prescription forms and warnings to ensure safety , as well as the instructions / procedures to be adopted for the maintenance of the Linear series empty boxes are all included and described in the Safety Instructions, to which please refer for all details and information.

Marking

For applications in the area 1/21:

II 2G Ex e IIC Gb

II 2D Ex tb IIIC Db



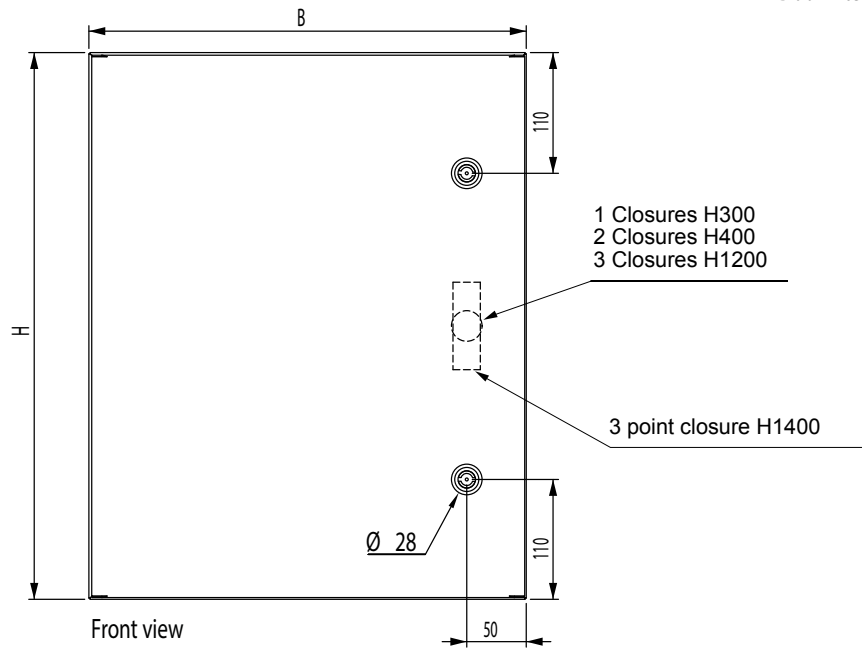
Smart Atex series, FQS silicone gasket



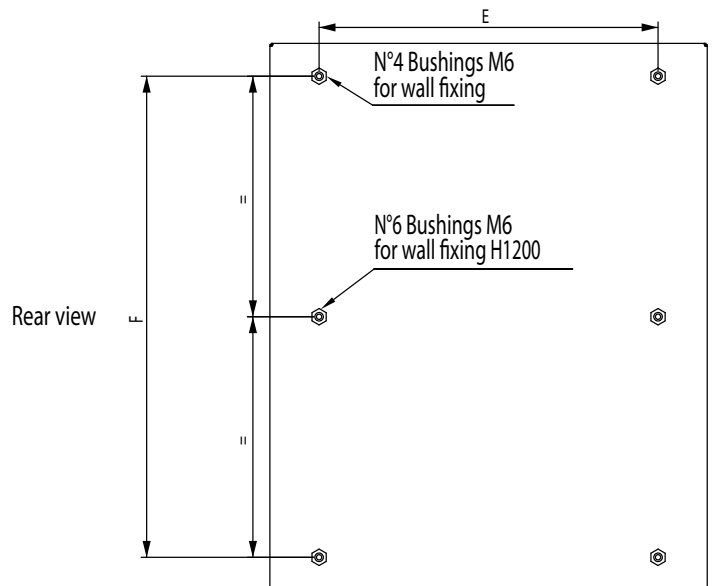
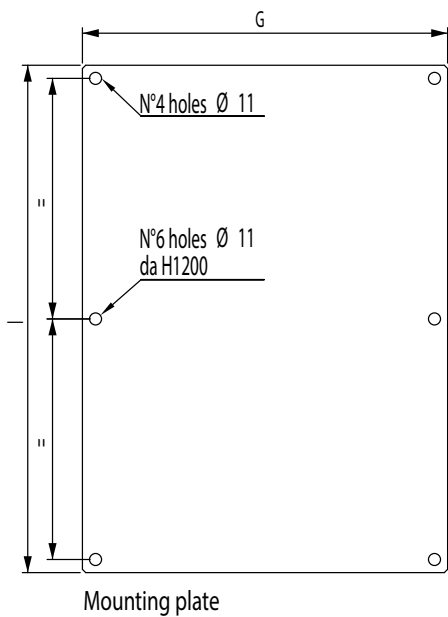
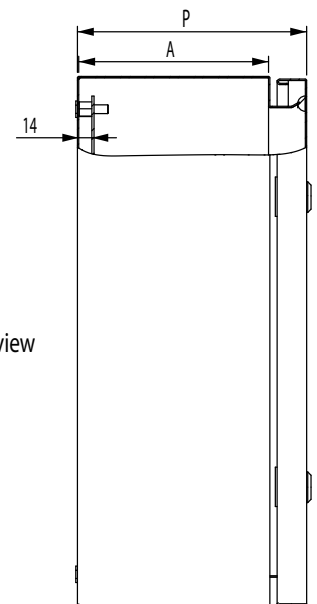
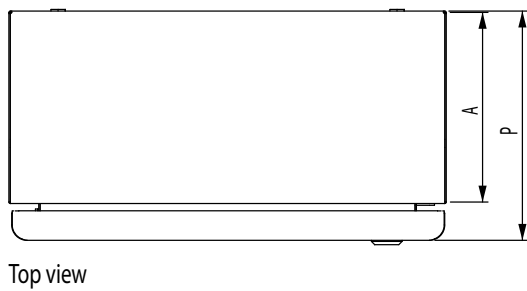
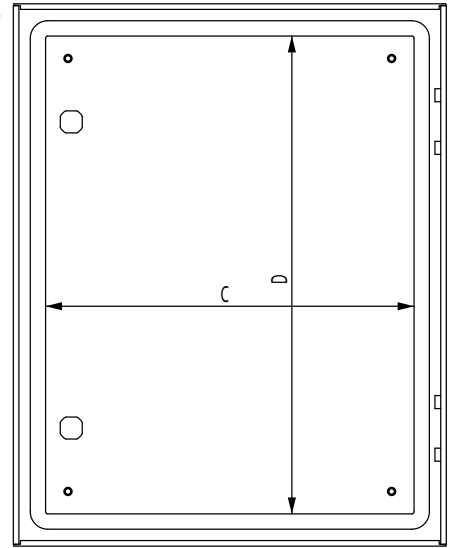
The new Smart IP66 series boxes enlarges the range of control panels and provides industry with a large number of solutions in particular in the field of automation and control.

AVAILABLE IN N. 43 SIZES ACCORDING TO THE FOLLOWING TABLE:

Material:	AISI 304L steel sheet - 12/10 and 15/10	On request AISI 316L -12/10 and 15/10
Installation - mode:	Wall - Floor	
Degree of protection IP	IP66 closed door	
Degree of protection IK	IK10	
Installation - location	internal / external	
Max. and min. service T =	- 40°C a + 110°C	



Door internal view





TECHNICAL DETAILS

CODE	Dimensions			Weight Kg	Volume m³	Available width for side drilling		Available width for door drilling		Mounting plate		Wall fixing distance		N° of locks	Heat load dissipation
	B	H	P			A	C	D	G	I	E	F			
FQS203015	200	300	150	5,91	0,011	116	237	116	138	268	110	240	1	48W	
FQS303015	300	300	150	7,65	0,016	116	237	116	238	268	210	240	1	62W	
FQS303021	300	300	210	9,71	0,023	176	237	176	238	268	210	240	1	71W	
FQS304015	300	400	150	9,31	0,022	116	337	116	238	368	210	340	1	77W	
FQS304021	300	400	210	11,53	0,030	176	337	176	238	368	210	340	1	87W	
FQS403015	400	300	150	9,39	0,022	116	237	116	338	268	310	240	1	74W	
FQS404021	400	400	210	13,87	0,040	176	337	176	338	368	310	340	2	104W	
FQS405021	400	500	210	16,14	0,050	176	437	176	338	468	310	440	2	123W	
FQS405025	400	500	250	18,01	0,060	216	437	216	338	468	310	440	2	131W	
FQS406021	400	600	210	18,41	0,060	176	537	176	338	568	310	540	2	141W	
FQS454521	450	450	210	16,29	0,051	176	387	176	388	418	360	390	2	122W	
FQS454525	450	450	250	18,16	0,061	216	387	216	388	418	360	390	2	130W	
FQS456025	450	600	250	22,06	0,081	216	537	216	388	568	360	540	2	162W	
FQS505021	500	500	210	18,94	0,063	176	437	176	438	468	410	440	2	141W	
FQS505025	500	500	250	20,91	0,075	216	437	216	438	468	410	440	2	150W	
FQS506021	500	600	210	21,66	0,076	176	537	176	438	568	410	540	2	162W	
FQS507021	500	700	210	24,39	0,088	176	637	176	438	668	410	640	2	183W	
FQS507025	500	700	250	26,56	0,105	216	637	216	438	668	410	640	2	194W	
FQS604021	600	400	210	18,56	0,060	176	337	176	538	368	510	340	2	135W	
FQS604525	600	450	250	22,17	0,081	216	387	216	538	418	510	390	2	156W	
FQS606021	600	600	210	24,92	0,091	176	537	176	538	568	510	540	2	183W	
FQS606025	600	600	250	27,09	0,108	216	537	216	538	568	510	540	2	193W	
FQS606030	600	600	300	29,95	0,130	266	537	266	538	568	510	540	2	206W	
FQS606040	600	600	400	36,59	0,173	366	537	366	538	568	510	540	2	232W	
FQS608021	600	800	210	33,05	0,121	176	737	176	538	768	510	740	2	229W	
FQS608025	600	800	250	35,42	0,144	216	737	216	538	768	510	740	2	241W	
FQS608030	600	800	300	38,52	0,173	266	737	266	538	768	510	740	2	275W	
FQS608040	600	800	400	45,67	0,230	366	737	366	538	768	510	740	2	276W	
FQS609030	600	900	300	47,97	0,194	266	837	266	538	868	510	840	2	269W	
FQS6010030	600	1000	300	51,96	0,216	266	937	266	538	968	510	940	2	293W	
FQS6012030	600	1200	300	59,94	0,259	266	1137	266	538	1168	510	1140	3	339W	
FQS6012040	600	1200	400	70,11	0,346	366	1137	366	538	1168	510	1140	3	376W	
FQS806030	800	600	300	44,14	0,173	266	537	266	738	568	710	540	2	238W	
FQS808030	800	800	300	54,18	0,230	266	737	266	738	768	710	740	2	295W	
FQS8010030	800	1000	300	64,23	0,288	266	937	266	738	968	710	940	2	315W	
FQS8012030	800	1200	300	74,27	0,346	266	1137	266	738	1168	710	1140	3	406W	
FQS8012040	800	1200	400	85,07	0,461	366	1137	366	738	1168	710	1140	3	445W	
FQS6014030	600	1400	300	54,50	0,252	266	1335	266	500	1382	472	1340	1*	384W	
FQS6014040	600	1400	400	59,50	0,336	366	1335	366	500	1382	472	1340	1*	426W	
FQS8014030	800	1400	300	70,00	0,336	266	1335	266	700	1382	672	1340	1*	460W	
FQS8014040	800	1400	400	75,00	0,448	366	1335	366	700	1382	672	1340	1*	460W	
FQS8016030	800	1600	300	77	0,384	266	1535	266	700	1582	672	1540	1*	513W	
FQS8016040	800	1600	400	84	0,512	366	1535	366	700	1582	672	1540	1*	585W	
FQS609025	600	900	250	28	0,19	216	837	216	538	868	510	840	2	255W	

* MULTIPOINT CLOSURE SYSTEM



Installation area / substances

The Smart series empty enclosures are components designed to be used in the presence of explosive gases or atmospheres of steam and combustible dusts, with the following classification:

Area 1/21

Max e Min. $T_{\text{service}} = -40^{\circ}\text{C a} + 110^{\circ}\text{C}$

Documents

The instructions for use, the requirements and warnings to be followed to ensure safety and the instructions / procedures to be adopted for the maintenance of the Linear series empty boxes are reported in the safety instructions, to which reference is made for all details and information.

Marking

For applications in the area 1/21:

II 2G Ex e IIC Gb
II 2D Ex tb IIIC Db





Laws and standards reference

Directive ATEX 2014/34/EU	protective equipment and systems intended for use in potentially explosive atmospheres
Guidelines ATEX 2014/34/EU	Guide on the application of directive ATEX 2014/34/EU (April 2016 I Edition)
EN 60079-0:2012/A11:2013	Electrical constructions for explosive atmospheres.
EN 60079-7:2015	Electrical construction for explosive atmosphere part 7 safe way of protection increase security "e"
EN 60079-31:2014	Electrical apparatus for explosive atmospheres due to the presence of combustible dusts. Part 31: devices with protection mode using enclosures "t"

Certificate Number TÜV CY 17 ATEX 0205903 U

Legenda

II 2G Ex eb IIC Gb
 II 2D Ex tb IIIDb (IP66)
 For application in zone 2/22
 Ex eb IIC Gb
 Ex tbIIIC Db (IP66)
 min and max service T= -20°C a +60°C

EXPLOSIVE ATMOSPHERE WITH GAS OR STEAM

II	=	Group ii (surface)
2	=	Category 3 (zone 2)
G	=	Type of explosive atmosphere (presence of gas/steam)
Ex eb	=	Protection mode "e" (increased safety)
IIC	=	Group of gas
Gc	=	Epl (gas)

EXPLOSIVE ATMOSPHERE WITH PRESENCE OF COMBUSTIBLE POWDERS

II	=	Group ii (surface)
2	=	Category 3 (zone 22)
D	=	Type of explosive atmosphere (presence of powders)
EXTB		PROTECTION MODE "TB" (WITH ENCLOSURES)
IIIC		POWDERS GROUP - CONDUCTIVE POWDERS
DC		EPL (POWDERS)



FCS Series: Atex Compact stainless steel 1 door cabinet

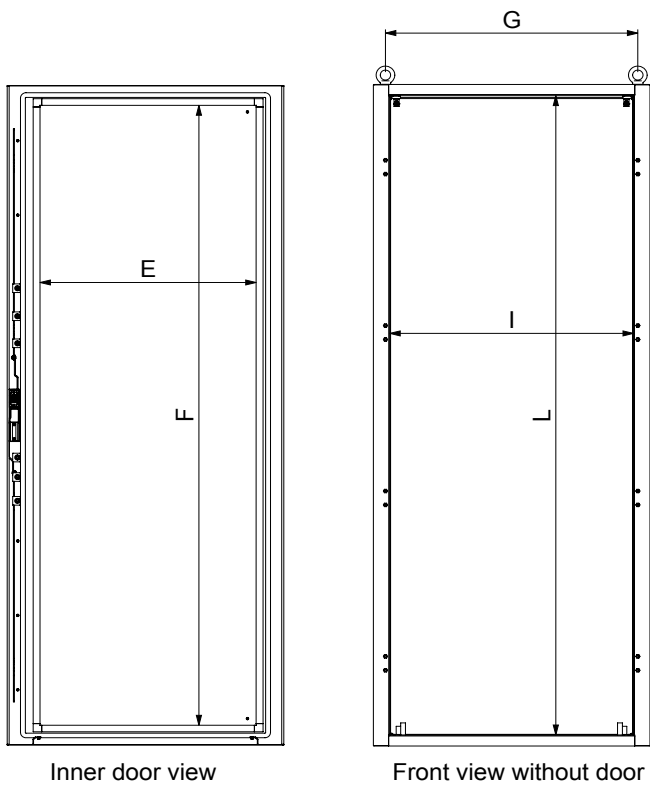
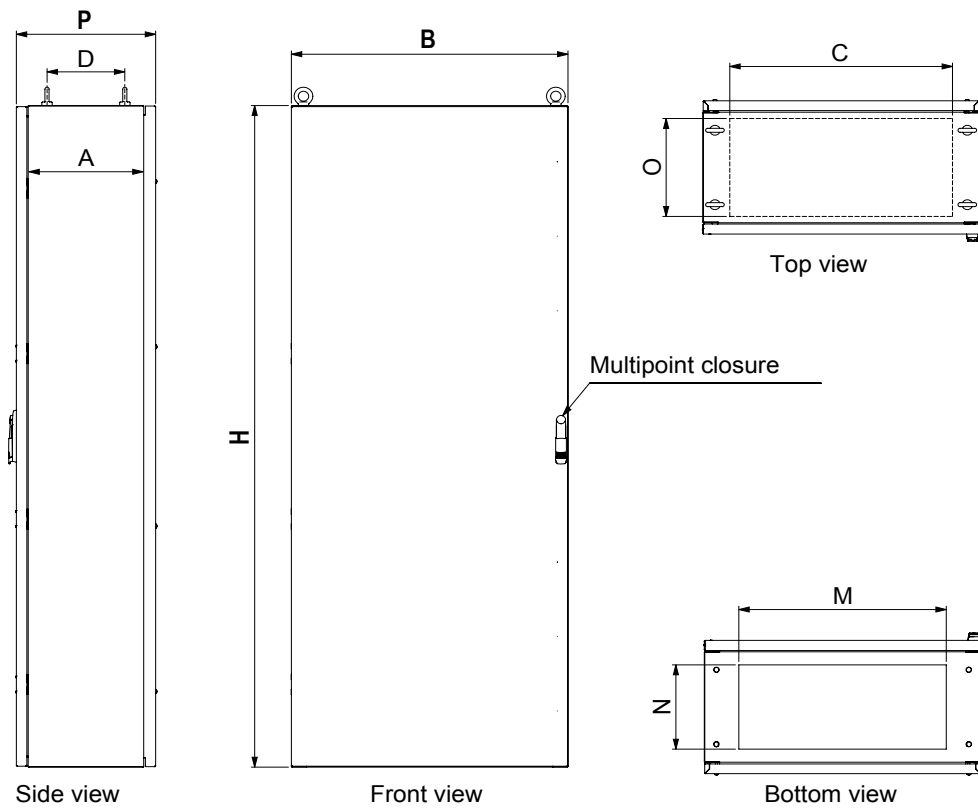
The FCS range of stainless steel cabinets has been made in compliance with the most recent international standards, with absolutely innovative construction concepts of solidity, protection and cleanliness. Available in the 1 door configuration up to L1000mm. The IP66 protection degree, the removable and replaceable back with a scotch-brite door and finish characterize the FCS range as the ideal solution for applications in Atex area 2-22. The plinth H = 100 (H = 200 on request) is supplied as standard.



DEGREE OF PROTECTION AND REFERENCE STANDARDS IP66 IK10



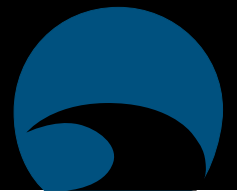
Technical drawings





TECHNICAL DETAILS

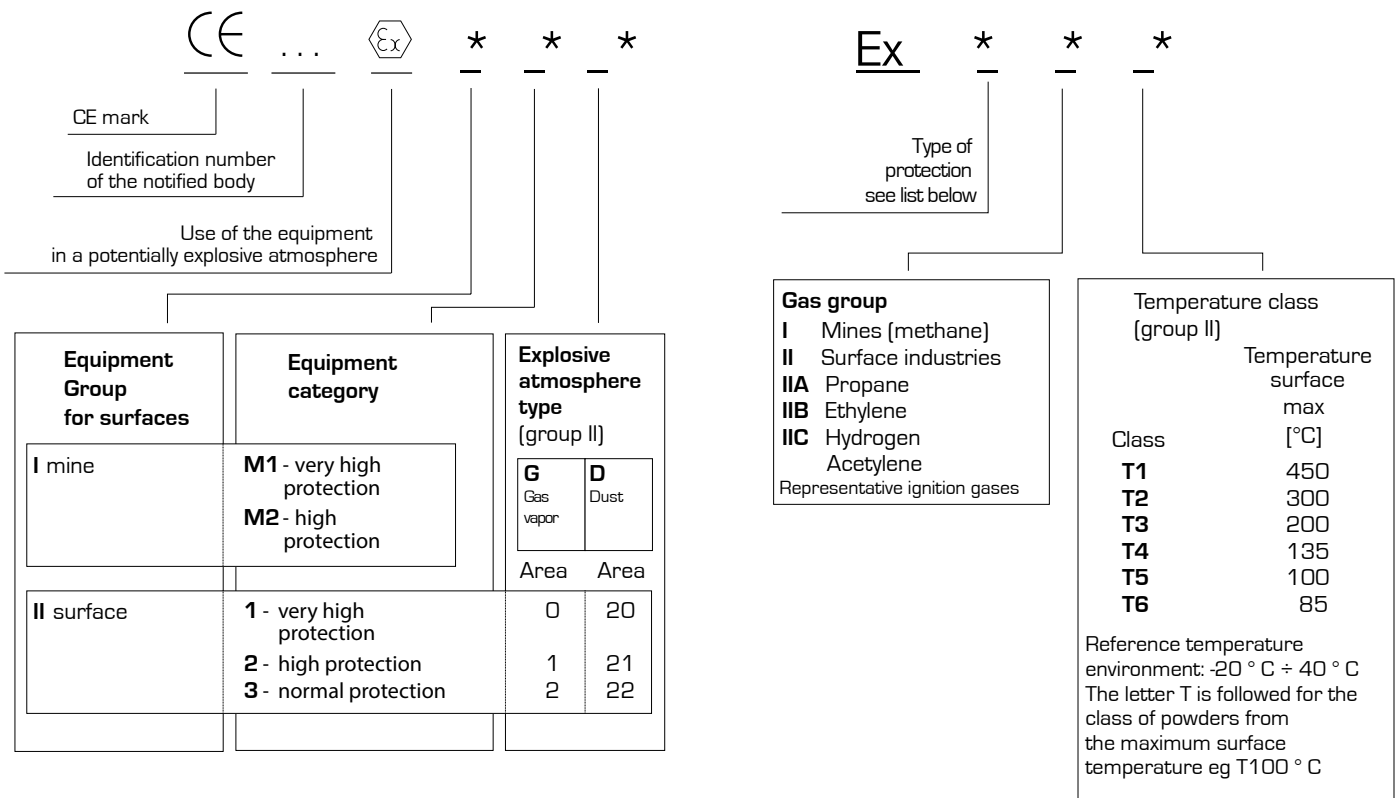
CODE	Dimensions			Weight Kg	Volume m ³	Available area for door drilling		Available with for side drilling A	Available area for flange drilling		Available area for roof drilling		Accessible area front of cabinet		Eyebotts distance		Heat dis- sipation load
	B	H	P			M	N		M	N	C	O	I	L	G	D	
FCS4018040	410	1800	400	75	0,288	220	1640	330	100	250	190	295	280	1715	344	250	135W
FCS4018050	410	1800	500	80	0,540	220	1640	430	100	350	190	395	280	1715	344	350	155W
FCS4018060	410	1800	600	90	0,432	220	1640	530	100	450	190	495	280	1715	344	450	173W
FCS6018040	610	1800	400	95	0,432	420	1640	330	300	250	390	295	480	1715	544	250	173W
FCS6018050	610	1800	500	105	0,540	420	1640	430	300	350	390	395	480	1715	544	350	194W
FCS6018060	610	1800	600	115	0,648	420	1640	530	300	450	390	495	480	1715	544	450	214W
FCS8018040	810	1800	400	125	0,576	620	1640	330	500	250	590	295	680	1715	744	250	211W
FCS8018050	810	1800	500	130	0,720	620	1640	430	500	350	590	395	680	1715	744	350	233W
FCS8018060	810	1800	600	135	0,864	620	1640	530	500	450	590	495	680	1715	744	450	255W
FCS10018040	1010	1800	400	140	0,720	820	1640	330	700	250	790	295	880	1715	994	250	248W
FCS10018050	1010	1800	500	150	0,900	820	1640	430	700	350	790	395	880	1715	994	350	272W
FCS10018060	1010	1800	600	160	1,080	820	1640	530	700	450	790	495	880	1715	994	450	296W
FCS4020040	410	2000	400	85	0,320	220	1840	330	100	250	190	295	280	1915	344	250	149W
FCS4020050	410	2000	500	90	0,400	220	1840	430	100	350	190	395	280	1915	344	350	171W
FCS4020060	410	2000	600	100	0,480	220	1840	530	100	450	190	495	280	1915	344	450	227W
FCS6020040	610	2000	400	110	0,480	420	1840	330	300	250	390	295	480	1915	544	250	190W
FCS6020050	610	2000	500	115	0,600	420	1840	430	300	350	390	395	480	1915	544	350	213W
FCS6020060	610	2000	600	120	0,720	420	1840	530	300	450	390	495	480	1915	554	450	253W
FCS8020040	810	2000	400	130	0,640	620	1840	330	500	250	590	295	680	1915	744	250	231W
FCS8020050	810	2000	500	140	0,800	620	1840	430	500	350	590	395	680	1915	744	350	255W
FCS8020060	810	2000	600	150	0,960	620	1840	530	500	450	590	495	680	1915	744	450	279W
FCS10020040	1010	2000	400	155	0,800	820	1840	330	700	250	790	295	880	1915	944	250	272W
FCS10020050	1010	2000	500	160	1,000	820	1840	430	700	350	790	395	880	1915	944	350	298W
FCS10020060	1010	2000	600	165	1,200	820	1840	530	700	450	790	495	880	1915	944	450	323W



Fast guide Atex

Directive ATEX94/9/CE
Electrical and non-electrical equipment and degree of protection

Equipment marks



CLASSIFICATION OF THE EQUIPMENT

Equipment for mines - Group I

Category M1

Protection level: Very high. Equipment that can work even in the presence of an explosive atmosphere

Category M2

High protection level Equipment that must be put off voltages in the presence of an explosive atmosphere

Equipment for surface area - Group II

Category 1

Protection level: Very high
Presence of explosive atmosphere: always, often and for long periods

Category 2

Protection level: high
Presence of explosive atmosphere: probable

Category 3

Protection level: normal
Presence of explosive atmosphere: low possibility and for a short time

RULES AND TYPES OF PROTECTION

Electrical equipment for gas (G)

EN Standard Code	Category
General rules	60079-0
Immersion in oil	o 60079-6 M2-2G
Internal overpressure	p 60079-2 M2-2G
Dust filling	q 60079-5 M2-2G
Explosion-proof enclosures	d 60079-1 M2-2G
Increased security	e 60079-7 M2-2G
Intrinsic safety	ia 60079-11 M1-1G
Intrinsic safety	ib 60079-11 M2-2G
Encapsulation	m 60079-18 M2-2G
Protection type "n"	n 60079-15 3G
Category 1G	60079-26 1G
Category M1	50303 M1

Electrical equipment for dust (D)

Dust-proof enclosure	Ex tD	EN 61241-1	1D
Protection with pressurization	Ex pD	EN 61241-4	2D
Protection with intrinsic safety	Ex iD	EN 61241-11	1D
Protection with encapsulation	Ex mD	EN 61241-18	1D

* For completeness, refer to the ATEX Directive 94/9 / EC





AIRFLEX



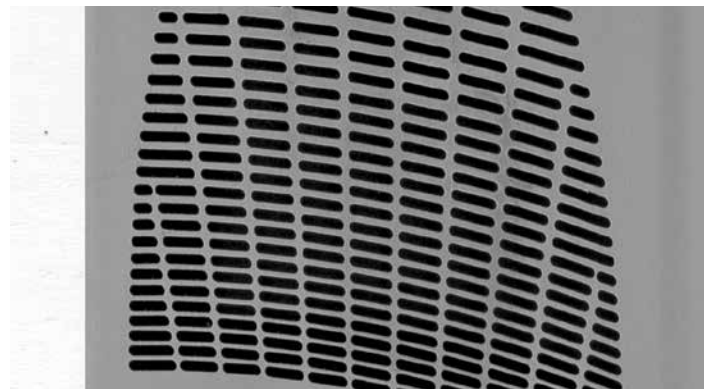
WALL AND DOOR MOUNTED COOLING UNITS (cover stainless steel 304)

Small, medium and large cooling units, designed to keep the inside temperature of the enclosure equal or lower than the external temperature.

GENERAL CHARACTERISTICS

- Designed to ensure optimal operating conditions for electrical and electronic equipment.
- Suitable for applications where a set point temperature lower than the ambient temperature is required.
- Various types of mounting to satisfy every type of application.
- Range from 300 to 4100W (L35 L35).
- Various power supplies available (check on individual models).
- High degree of protection on the cabinet side (IP54).
- CE certification (and UL on most models)
- No routine maintenance.
- Operation up to + 55 ° C (environment)
- Refrigerant gas R134a.

Note: For indoor applications
Drilling templates available on www.flextec.it





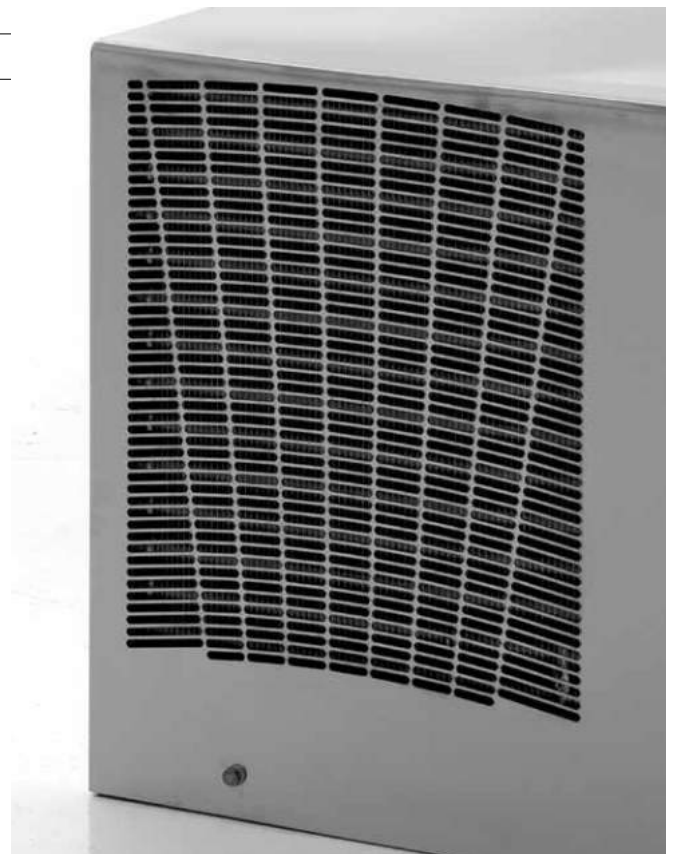
ROOF MOUNTED COOLING UNITS (cover stainless steel 304L)

Small, medium and large cooling units, designed to keep the inside temperature of the enclosure equal or lower than the external temperature.

GENERAL CHARACTERISTICS

- Designed to ensure optimal operating conditions for electrical and electronic equipment.
- Suitable for applications where a set point temperature lower than the ambient temperature is required.
- Various types of mounting to satisfy every type of application.
- Range from 300 to 3800W (L35 L35).
- Various power supplies available [check on individual models].
- High degree of protection on the cabinet side (IP54).
- CE certification [and UL on most models]
- No routine maintenance.
- Operation up to + 55 ° C (environment)
- Refrigerant gas R134a.

Note: For indoor applications
Drilling templates available on www.flextec.it





WALL AND DOOR COOLING UNITS - Technical data

CODE	Power supply	Cooling power L35L35		Cooling power L35L50		Dimensions			Max. current in operation	
		V - ph - Hz	W(50Hz)	W(60Hz)	W(50Hz)	W(60Hz)	B	H	P	A(50Hz)
FCVE0301I	230-1-50/60	360	380	220	240	324	443	206	1,3	1,4
FCVE0302I*	115-1-60	380		240		324	443	206	2,9	
FCVE0303I*	230-1-50/60	380		240		324	443	206	1,7	
FCVE0501I	230-1-50/60	550	580	410	430	313	642	223	1,35	1,5
FCVE0502I	400-2-50 / 460-2-60	500	550	380	400	313	642	223	0,7	0,75
FCVE0503I	48VDC	500		350		313	642	223	5,7	
FCVE0504I*	115-1-60	580		430		313	642	223	4,7	
FCVE0505I*	230-1-50/60	580		430		313	642	223	2,1	
FCVE0506I*	48VDC	500		350		313	642	223	8,3	
FCVE0801I	230-1-50/60	850	900	620	700	313	642	223	2,6	2,7
FCVE0802I	400-2-50 / 460-2-60	800	850	600	650	313	642	223	1	1,4
FCVE0803I*	115-1-60	900		700		313	642	223	7,2	
FCVE0804I*	230-1-50/60	900		700		313	642	223	3,9	
FCVE1101I	230-1-50/60	1100	1150	840	890	410	912	248	3,1	3,4
FCVE1102I	400-2-50 / 460-2-60	1050	1100	790	840	410	912	248	1,7	1,8
FCVE1103I*	115-1-60	1150		890		410	912	248	7,5	
FCVE1104I*	230-1-50/60	1150		890		410	912	248	3,6	
FCVE1501I	230-1-50/60	1500	1600	1200	1280	410	912	248	3,9	4,3
FCVE1502I	400-2-50 / 460-2-60	1400	1500	1150	1200	410	912	248	2,5	2,6
FCVE1503I*	115-1-60	1600		1280		410	912	248	9,4	
FCVE1504I*	230-1-50/60	1600		1280		410	912	248	4,5	
FCVE1505I*	400-3-50 / 460-3-60	1500		1200		409	1005	263	2,37	
FCVE2001I	230-1-50/60	2100	2200	1750	1850	409	1005	263	4,8	5,5
FCVE2002I	400-3-50 / 460-3-60	2000	2100	1700	1800	409	1005	263	2,5	2,7
FCVE2003I*	115-1-60	2200		1850		409	1005	263	13,64	
FCVE2004I*	230-1-50/60	2200		1850		409	1005	263	6,3	
FCVE2005I*	400-3-50 / 460-3-60	2100		1800		409	1005	263	3,62	
FCVE3001I	230-1-50/60	3000	3150	2400	2600	511	1217	347	5	5,5
FCVE3002I	400-3-50 / 460-3-60	2850	3000	2300	2500	511	1217	347	2,7	3
FCVE3003I*	230-1-50/60	3150		2600		511	1217	347	8	
FCVE3004I*	400-3-50 / 460-3-60	3000		2500		511	1217	347	4,85	
FCVE4001I	230-1-50/60	4000	4100	3000	3300	511	1217	347	8,2	9,4
FCVE4002I	400-3-50 / 460-3-60	3950	4050	2960	3260	511	1217	347	2,9	4
FCVE4003I*	230-1-50/60	4100		3300		511	1217	347	8,3	
FCVE4004I*	400-3-50 / 460-3-60	4050		3260		511	1217	347	5,96	

* COOLING UNITS UL

NOTES: cooling units power losses on high altitude installations

• 1,000 m above sea level -10% • 2,000 m above sea level -15% • 3,000 m above sea level - 25% • 4,000 m above sea level - 30%



Absortion current at start	Fuse T	Power consumption L35L50		Air volume		Temperature regulation limits	Environment side temperature limits	Cabinet side protection	Noise	Weight
		W(50Hz)	W(60Hz)	Cabinet side (m3/h)	Free blowing (m3/h)					
9,8	4	190	220	164	195	+25 / +45	+20 / +55	54 / 12	55	17
18	15	220		195		+25 / +45	+20 / +55	54 / 12	55	17
9,8	15	220		195		+25 / +45	+20 / +55	54 / 12	55	17
15	4	310	340	164	195	+25 / +45	+20 / +55	54 / 12	61	23
15	4	310	340	164	195	+25 / +45	+20 / +55	54 / 12	61	26
-	10	300		450		+25 / +45	+20 / +55	54 / 12	67	23
17	15	340		195		+25 / +45	+20 / +55	54 / 12	61	23
15	15	340		195		+25 / +45	+20 / +55	54 / 12	67	23
-	15	300		450		+25 / +45	+20 / +55	54 / 12	67	23
20	6	420	600	340	356	+25 / +45	+20 / +55	54 / 12	64	27
20	4	420	600	330		+25 / +45	+20 / +55	54 / 12	64	30
28	15	600		390		+25 / +45	+20 / +55	54 / 12	64	27
20	15	600		390		+25 / +45	+20 / +55	54 / 12	64	27
18	6	510	650	540	580	+25 / +45	+20 / +55	54 / 12	65	44
30	4	510	650	540	580	+25 / +45	+20 / +55	54 / 12	65	50
34	15	650		580		+25 / +45	+20 / +55	54 / 12	65	44
18	15	650		580		+25 / +45	+20 / +55	54 / 12	65	44
28	8	750	825	540	580	+25 / +45	+20 / +55	54 / 12	65	46
110	6	750	825	540	580	+25 / +45	+20 / +55	54 / 12	65	53
50	15	825		580		+25 / +45	+20 / +55	54 / 12	65	46
28	15	825		580		+25 / +45	+20 / +55	54 / 12	65	46
20	15	890		580		+25 / +45	+20 / +55	54 / 12	65	48
34	10	1120	1240	540	580	+25 / +45	+20 / +55	54 / 12	69	48
22	6	1100	1200	890	930	+25 / +45	+20 / +55	54 / 12	69	48
60	25	1240		930		+25 / +45	+20 / +55	54 / 12	69	48
34	15	1240		580		+25 / +45	+20 / +55	54 / 12	69	48
22	15	1200		930		+25 / +45	+20 / +55	54 / 12	69	48
35	8	1370	1510	890	930	+25 / +45	+20 / +55	54 / 12	69	75
19	6	1370	1510	890	930	+25 / +45	+20 / +55	54 / 12	69	80
35	15	1510		930		+25 / +45	+20 / +55	54 / 12	69	75
19	15	1510		930		+25 / +45	+20 / +55	54 / 12	69	80
42	16	1730	1950	1180	1300	+25 / +45	+20 / +55	54 / 12	70	80
25	8	1730	1950	1180	1300	+25 / +45	+20 / +55	54 / 12	70	85
35	15	1950		1300		+25 / +45	+20 / +55	54 / 12	70	80
19	15	1950		1300		+25 / +45	+20 / +55	54 / 12	70	85



ROOF MOUNTED COOLING UNITS Technical data

CODE	Power supply V - ph - Hz	Cooling power L35L35		Cooling power L35L50		Dimensions			Max. current in operation	
		W(50Hz)	W(60Hz)	W(50Hz)	W(60Hz)	B	H	P	A(50Hz)	A(60Hz)
FETE0301I	230-1-50/60	330		270		476	180	324	1,4	
FETE0302I	115-1-60	330		270		476	180	324	2,8	
FETE0601I	230-1-50/60	600		510		600	335	325	2,2	
FETE0602I*	230-1-50/60	600		510		600	335	325	3	
FETE0603I*	115-1-60	600		510		600	335	325	4,5	
FETE0604I*	400-2-50 / 460-2-60	600		510		600	335	325	1,2	
FETE0901I	230-1-50/60	900		760		600	335	325	3,2	
FETE0902I*	230-1-50/60	900		760		600	335	325	4	
FETE0903I*	115-1-60	900		760		600	335	325	8	
FETE0904I*	400-2-50 / 460-2-60	900		760		600	335	325	1,8	
FETE1401I	230-1-50/60	1400		1170		600	450	400	5,2	
FETE1402I*	230-1-50/60	1400		1170		600	450	400	5,5	
FETE1403I*	115-1-60	1400		1170		600	450	400	10	
FETE1404I	400-2-50 / 460-2-60	1400		1170		600	450	400	2,8	
FETE2001I	230-1-50/60	2000		1700		600	450	400	5,7	
FETE2002I*	230-1-50/60	2000		1700		600	450	400	7	
FETE2003I	400-2-50 / 460-2-60	2000		1700		600	450	400	3,3	
FETE2801I	230-1-50/60	2700		2300		800	480	450	7	
FETE2802I*	230-1-50/60	2700		2300		800	480	450	9,5	
FETE2803I	400-3-50 / 460-3-60	2700		2300		800	480	450	2,3	
FETE4101I	230-1-50/60	3800		2700		800	480	450	9	
FETE4102I*	230-1-50/60	3800		2700		800	480	450	9	
FETE4103I	400-3-50 / 460-3-60	3800		2700		800	480	450	2,9	
FETE4104I*	400-3-50 / 460-3-60	3800		2700		800	480	450	3,5	

* COOLING UNITS UL



Absorption current at start	Fuse T	Power consumption L35L50		Air volume		Temperature regulation limits	Environment side temperature limits	Cabinet side protection	Noise	Weight
		W(50Hz)	W(60Hz)	Cabinet side (m3/h)	Free blowing (m3/h)					
5	4	240		164		+25 / +45	+20 / +55	54	60	17
10	4	240		164		+25 / +45	+20 / +55	54	60	18
16	4	411		575		+25 / +45	+20 / +55	54	63	29,5
16	4	411		575		+25 / +45	+20 / +55	54	63	29,5
29	6	411		575		+25 / +45	+20 / +55	54	63	29,5
7,7	4	411		575		+25 / +45	+20 / +55	54	63	32
15	6	630		575		+25 / +45	+20 / +55	54	67	31,5
15	6	630		575		+25 / +45	+20 / +55	54	67	31,5
15	12	630		575		+25 / +45	+20 / +55	54	67	31,5
31	6	630		575		+25 / +45	+20 / +55	54	67	33
17	8	950		575		+25 / +45	+20 / +55	54	58	48
17	8	950		575		+25 / +45	+20 / +55	54	58	48
34	16	950		575		+25 / +45	+20 / +55	54	58	48
31	10	950		575		+25 / +45	+20 / +55	54	58	53
22	8	1200		860		+25 / +45	+20 / +55	54	62	51,5
22	10	1200		860		+25 / +45	+20 / +55	54	62	51,5
31	10	1200		860		+25 / +45	+20 / +55	54	62	58,5
38	12	1580		860		+25 / +45	+20 / +55	54	77	74,5
38	12	1660		860		+25 / +45	+20 / +55	54	77	74,5
16	6	1580		860		+25 / +45	+20 / +55	54	77	76,5
38	16	2000		1450		+25 / +45	+20 / +55	54	77	76,5
38	16	2050		1450		+25 / +45	+20 / +55	54	77	76,5
17	8	2000		1450		+25 / +45	+20 / +55	54	77	79,5
7	8	1550		1450		+25 / +45	+20 / +55	54	77	76,5



VENTILATION

The ventilation system is a simple and cheap solution for setting the temperature of the electrical cabinet. The use is ideal where external air is not very dirty, the thermal load is limited and the cabinet installed where Δt (compared to the external) is 10-15 ° C.

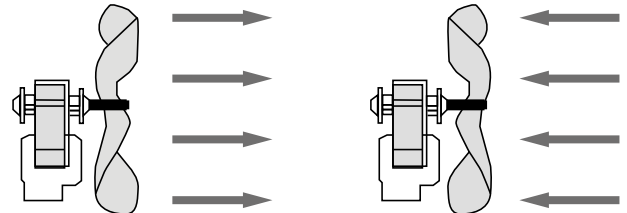
GENERAL CHARACTERISTICS

- Ventilation grids with filter.
- Fixing system without screws.
- Constructed in ABS BLEND (RAL7035).
- Air flow: 35 - 850 m³ / h.
- Adjustability fans sucking/pressing.
- Easy grid opening for filter replacement / cleaning.
- Degree of protection IP54 (option IP55).



SUCKING AIR

PRESSING AIR



A = SUCKING THE AIR (STANDARD)
P = PRESSING THE AIR (SU RICHIESTA)

VENTILATION Technical data

CODE	Power supply	Dimensions			Absorbed power / absorbed current		Fuse T	Limits of temp.	Cabinet side protection	Noise	FGHV air flow	Air flow		Sense of air flow
		B	H	P	W	A						FGHV+ FGHF10 (m3/h)	FGHV+ FGHF15 (m3/h)	
FGHF10	-	119	119	28,5	-	-	-	-	54 / 12	-	-	-	-	-
FGHV1001	230-1-50/60	119	119	57,5	4,6	0,21	0,5	-10 / +70	54 / 12	33	35	24	27	A
FGHV1002	115-1-50/60	119	119	57,5	3,6	0,22	0,5	-10 / +70	54 / 12	33	35	24	27	A
FGHV1004	24 DC	119	119	57,5	9,12	0,38	0,5	-10 / +60	54 / 12	53	100	32	38	A

* SL150150 cover accessory

NOTA: for serie PRESSING add P at the end of the relevant code
DRILLING TEMPLATE 92X92 mm

CODE	Power supply	Dimensions			Absorbed power / absorbed current		Fuse T	Limits of temp.	Cabinet side protection	Noise	FGHV air flow	Air flow		Sense of air flow
		B	H	P	W	A						FGHV+ FGHF15 (m3/h)	FGHV+ FGHF20 (m3/h)	
FGHF15	-	152	152	32,3	-	-	-	-	54 / 12	-	-	-	-	-
FGHV1501	230-1-50/60	152	152	75	22	0,14	0,5	-10 / +70	54 / 12	49	67	50	58	A
FGHV1502	115-1-50/60	152	152	75	22	0,26	1	-10 / +70	54 / 12	49	67	50	58	A
FGHV1504	24 DC	152	152	75	10,57	0,44	1	-10 / +70	54 / 12	49	67	50	58	A

* SL180180 cover accessory

NOTE: for serie PRESSING add P at the end of the relevant code
DRILLING TEMPLATE 125x125 mm



CODE	Power supply	Dimensions			Absorbed power/ absorbed current		Fuse T	Limits of temp.	Cabinet side protection	Noise	FGHV air flow	Air flow		Sense of air flow
		B	H	P	W	A						FGHV+ FGHF20 (m3/h)	FGHV+ FGHF25 (m3/h)	
	V - ph - Hz	B	H	P	W	A	A	°C	IP / Type	db(A)	m3/h			A
FGHF20	-	204	204	33,5	-	-	-	-	54 / 12	-	-	-	-	
FGHV2001	230-1-50/60	204	204	98	22	0,14	0,5	-10 / +70	54 / 12	49	108	75	88	A
FGHV2002	115-1-50/60	204	204	98	22	0,26	0,5	-10 / +70	54 / 12	49	108	75	88	A
FGHV2004	24 DC	204	204	98	10,57	0,44	1	-10 / +70	54 / 12	48	108	75	88	A

* SL230230 cover accessory

NOTE: for serie PRESSING add P at the end of the relevant code
DRILLING TEMPLATE 177x177 mm

CODE	Power supply	Dimensions			Absorbed power/ absorbed current		Fuse T	Limits of temp.	Cabinet side protection	Noise	FGHV air flow	Air flow		Sense of air flow
		B	H	P	W	A						FGHV+ FGHF20 (m3/h)	FGHV+ FGHF30 (m3/h)	
	V - ph - Hz	B	H	P	W	A	A	°C	IP / Type	db(A)	m3/h			A
FGHF25	-	250	250	47,5	-	-	-	-	54 / 12	-	-	-	-	
FGHV250001	230-1-50/60	250	250	118	39	0,28	0,5	-10 / +70	54 / 12	55	190	130	160	A
FGHV250002	115-1-50/60	250	250	118	39	0,59	1	-10 / +70	54 / 12	55	190	130	160	A
FGHV250004	24 DC	250	250	118	24	1	1,5	-10 / +70	54 / 12	59	230	190	210	A
FGHV250101	230-1-50/60	250	250	99	50	0,25	0,5	-10 / +60	54 / 12	62	270	200	220	A
FGHV250102	115-1-50/60	250	250	99	50	0,42	1	-10 / +60	54 / 12	62	270	200	220	A

* SL280280 cover accessory

NOTE for serie PRESSING add P at the end of the relevant code
DRILLING TEMPLATE 223x223 mm

CODE	Power supply	Dimensions			Absorbed power/ absorbed current		Fuse T	Limits of temp.	Cabinet side protection	Noise	FGHV air flow	Air flow		Sense of air flow
		B	H	P	W	A						FGHV+ FGHF20 (m3/h)	FGHV+ FGHF30 (m3/h)	
	V - ph - Hz	B	H	P	W	A	A	°C	IP / Type	db(A)	m3/h			A
FGHF30	-	318	318	34	-	-	-	-	54 / 12	-	-	-	-	
FGHV300001	230-1-50/60	318	318	139	50	0,25	0,5	-10 / +60	54 / 12	62	500	380	450	A
FGHV300002	115-1-50/60	318	318	139	50	0,42	1	-10 / +60	54 / 12	62	500	380	450	A

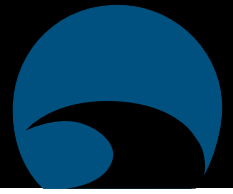
* SL360360 cover accessory

NOTE: for serie PRESSING add P at the end of the relevant code
DRILLING TEMPLATE 291x291 mm

CODE	Power supply	Dimensions			Absorbed power/ absorbed current		Fuse T	Limits of temp.	Cabinet side protection	Noise	FGHV air flow	Air flow		Sense of air flow
		B	H	P	W	A						FGHV+ FGHF30 (m3/h)	FGHV+ FGHF30 (m3/h)	
	V - ph - Hz	B	H	P	W	A	A	°C	IP / Type	db(A)	m3/h			A
FGHF30	-	318	318	34	-	-	-	-	54 / 12	-	-	-	-	
FGHV30A01	230-1-50/60	318	318	135	115	0,51	1	-25 / +55	54 / 12	65	700	600	670	A
FGHV30A02	115-1-50/60	318	318	135	115	1,02	2	-25 / +50	54 / 12	68	700	600	670	A
FGHV30A03	230-1-50/60	318	318	160,5	142	0,63	1,5	-25 / +55	54 / 12	65	850	590	700	A
FGHV30A04	115-1-50/60	318	318	160,5	115	1,02	2	-25 / +55	54 / 12	71	850	590	700	A
FGHV30A05	400-3-50 / 460-3-60	318	318	160,5	115	0,23	1	-25 / +60	54 / 12	65	850	590	700	A

* SL360360 cover accessory

NOTE: for serie PRESSING add P at the end of the relevant code
DRILLING TEMPLATE 291x291 mm



FILTER FAN FOR ROOF MOUNTING (cover inox 304)

GENERAL CHARACTERISTICS

- Filter fan for roof mounting.
- 4 sizes.
- Air flow: 575 - 2365 m³/h.
- Degree of protection IP44 (IP54 special protection).
- High head radial fans.
- A fanless solution is foreseen for natural ventilation applications.



Technical data

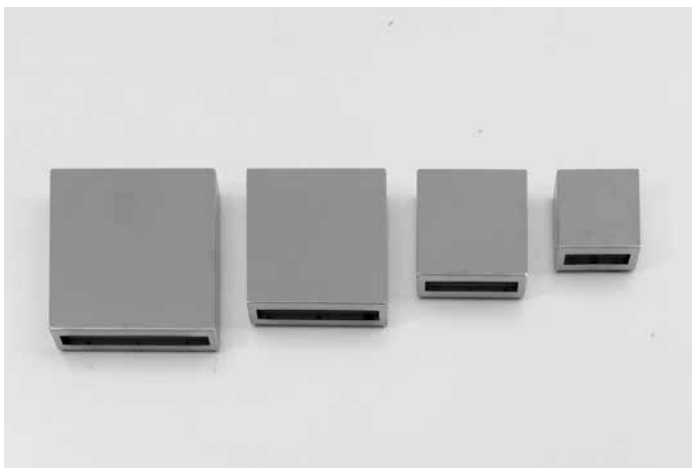
CODE	Power supply	Dimensions			Fan air flow rate	Current absorbed by the fan	Fuse T	power absorbed by the fan	Limits of temp.	Cabinet side protection	Noise	Weight
		B	H	P								
	V - ph - Hz	B	H	P	m ³ /h	A	A	W	°C	IP	db(A)	Kg
FTB190	-	460	108	380	-	-	-	-	-	22	-	3
FTB19001	230-1-50/60	460	108	380	575	0,34	2	75	-20 / +55	44	80	5,8
FTB19002	115-1-50/60	460	108	380	575	0,8	4	90	-20 / +55	44	80	5,8
FTB190HF	-	460	108	380	-	-	-	-	-	54	-	3,5
FTB190HF01	230-1-50/60	460	108	380	350	0,34	4	75	-20 / +55	54	80	6,3
FTB190HF02	115-1-50/60	460	108	380	350	4	6	80	-20 / +55	54	80	6,3

CODE	Power supply	Dimensions			Fan air flow rate	Current absorbed by the fan	Fuse T	power absorbed by the fan	Limits of temp.	Cabinet side protection	Noise	Weight
		B	H	P								
	V - ph - Hz	B	H	P	m ³ /h	A	A	W	°C	IP	db(A)	Kg
FTB22001	230-1-50/60	460	108	380	860	0,4	4	85	-20 / +55	44	80	8
FTB22002	115-1-50/60	460	108	380	860	1	4	115	-20 / +55	44	80	8
FTB220HF01	230-1-50/60	460	108	380	610	0,4	4	85	-20 / +55	54	80	8,5
FTB220HF02	115-1-50/60	460	108	380	610	1	4	115	-20 / +55	54	80	8,5



CODE	Power supply	Dimensions			Fan air flow rate	Current absorbed by the fan	Fuse T	power absorbed by the fan	Limits of temp.	Cabinet side protection	Noise	Weight
		B	H	P								
	V - ph - Hz	B	H	P	m3/h	A	A	W	°C	IP	db(A)	Kg
FTB250	-	540	160	400	-	-	-	-	-	22	-	8
FTB25001	230-1-50/60	540	160	400	1450	0,95	4	215	-20 / +55	44	82	12
FTB250HF	-	540	160	400	-	-	-	-	-20 / +55	54	-	9
FTB250HF01	230-1-50/60	540	160	400	1100	0,95	4	215	-20 / +55	54	82	13

CODE	Power supply	Dimensions			Fan air flow rate	Current absorbed by the fan	Fuse T	power absorbed by the fan	Limits of temp.	Cabinet side protection	Noise	Weight
		B	H	P								
	V - ph - Hz	B	H	P	m3/h	A	A	W	°C	IP	db(A)	Kg
FTB350	-	600	300	550	-	-	-	-	-	22	-	15
FTB35001	230-1-50/60	600	300	550	2365	1,1	4	170	-20 / +55	44	82	20
FTB350HF	-	600	300	550	-	-	-	-	-20 / +55	54	-	16
FTB350HF01	230-1-50/60	600	300	550	1865	1,1	4	170	-20 / +55	54	82	21



PROTECTION BOXES TECHNICAL DETAILS

CODE	Dimensions		
	B	H	P
SL150150	158	158	35
SL180180	193	193	35
SL230230	247	247	35
SL280280	297	297	35
SL360360	368	368	35

* THE BOXES ALLOW A DEGREE OF PROTECTION IP55



STAINLESS STEEL GRIDS TECHNICAL DETAILS

CODE	Dimensions		
	B	H	P
SG120120	105	105	8
SG150150	150	150	8
SG200200	200	200	8
SG250250	250	250	8
SG320320	320	320	8



CONDITIONING SYSTEMS MOUNTED ON WALL AND DOOR

		DEPTH	FCVE03	FCVE05	FCVE08	FCVE11	FCVE15	FCVE20	FCVE30	FCVE40
SIDE FC		400	•	•						
		500	•	•	•	•	•	•		
		600	•	•	•	•	•	•	•	•
SIDE FR		400								
		500	•	•	•					
		600	•	•	•	•	•	•	•	•
	800	•	•	•	•	•	•	•	•	•
		WIDE								
DOOR FC-FR		400								
		600	•	•	•	•	•	•		
		800	•	•	•	•	•	•	•	•
		1000	•	•	•	•	•	•	•	•

CONDITIONING SYSTEMS ON ROOF

		DEPTH	WIDE	FETE03	FETE06	FETE09	FETE14	FETE20	FETE28	FETE41
SIDE FC		400	600	•	•	•				
		400	800	•	•	•				
		400	1000	•	•	•				
		500	600	•	•	•				
		500	800	•	•	•	•	•		
		500	1000	•	•	•	•	•		
		600	600	•	•	•				
		600	800	•	•	•	•	•		
		600	1000	•	•	•	•	•	•	•
		400	400							
SIDE FR		400	600							
		400	800							
		400	1000							
		500	400							
		500	600	•						
		500	800	•	•	•	•	•		
		500	1000	•	•	•	•	•	•	•
		600	400							
		600	600	•						
		600	800	•	•	•	•	•		
	600	1000	•	•	•	•	•	•	•	
	800	400								
	800	600	•							
	800	800	•	•	•	•	•			
	800	1000	•	•	•	•	•	•	•	

•) IT IS POSSIBLE TO BE MOUNTED





ACCESSORIES SPARE PARTS



Cam locks systems

Keys and closures used in the cabinets assembling, can be purchased separately. Available with double wing head, triangle, square or EK333 key

CODE	Description	Head	Q.ty
F3100290C	Closures kit with head	⊙	5
F3100280C	Closures kit with head	⊙	5
F3100310C	Closures kit with head	◀	5
F3100300C	Closures kit with head	⊙	5
F3200850C	Closures kit with head	⊙	5
F3200740C	Kit latch H18		5
F3200480C	Kit latch H28		5
F3201010C	Kit latch H32		5
F3200030C	Kit latch H38		5
F3200340C	Kit latch H45		5



CODE	Description	Head	Q.ty
F3100320C	Stainless steel closures kit with head	⊙	5
F3100330C	Stainless steel closures kit with head	◀	5
F3100340C	Stainless steel closures kit with head	⊙	5
F3100260C	Kit stainless steel latch H18		5
F3100250C	Kit stainless steel latch H24		5
F3100220C	Kit stainless steel latch H28		5



CODE	Description	Head	Q.ty
F3200370C	Wing closure kit	⊙ EK 333	5
F3200760C	Wing closure kit		5
F3100350C	Lockable wing closure kit	🔒	5
F3100360C	T handle lock kit	⊙ EK 333	5
F3100380C	T handle lock kit		5
F3200130C	L handle lock kit	⊙ EK 333	5
F3100390C	L handle lock kit		5



CODE	Description	Head	Q.ty
F3200080C	Stainless steel lock key kit	⊙	10
F3200630C	Stainless steel lock key kit	◀	10
F3200420C	Stainless steel lock key kit	⊙	10
F3100270C	Polyamide lock key kit	⊙	10
F3100410C	Polyamide lock key kit	◀	10
F3200400C	Polyamide lock key kit	⊙	10
F3201190C	Head lock key kit	⊙ EK 333	10

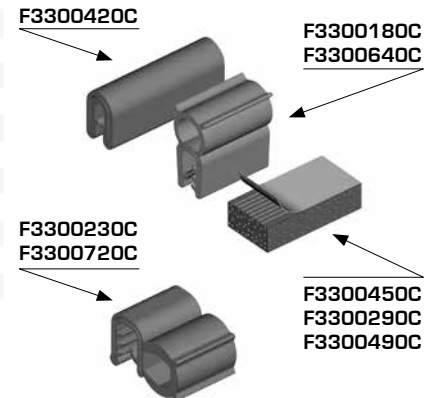




Gaskets

Self-locking gaskets, for Lexan mounting, special adhesives for custom installations with EMC/EMV shield.

CODE	Description	Q.ty
F3300180C	EPDM gasket kit with stainless core	10
F3300230C	90° EPDM gasket kit with stainless core	10
F3300640C	EMC/EMV gasket kit with stainless core	25
F3300720C	90° EMC/EMV gasket kit with stainless core	25
F3300740C	Conductive tape EMC/EMV kit	25
F3300170C	EPDM gasket kit for 4 mm Lexan	10
F3300420C	Rubber gasket kit for 10.5mm edges	10
F3300450C	closed cells gasket kit 15x20mm	20
F3300490C	closed cells gasket kit m 10x3mm	20
09301810	transparent double-sided tape kit 15x1.1	20



Screws

Screws, enclosed nuts, nuts, washers in stainless steel and nylon, used in the enclosure assembly, can be purchased separately.

CODE	Description	Q.ty
F2100040C	Kit TC cross screw stainless steel M4x6	25
F2100080C	Kit TSP cross screw stainless steel M5x14	25
F2100100C	Kit TC cross screw stainless steel M5x14	25
F2100010C	CKit TB cross screw stainless steel M5x20	25
F2100110C	Kit TC cross screw stainless steel M5x30	25
F2100190C	Kit TC cross screw ZN M5x15	25
F2100230C	Kit TE flanged screw ZN M6x16	25
F2100050C	Kit Tb cross screw stainless steel M6x12	25
F2100130C	Kit TSP cross screw stainless steel M6x12	25
F2100090C	Kit TPS cross screw stainless steel M6x16	25
F2100060C	Kit TB cross screw stainless steel M6x16	25
F2100580C	Kit TB cross screw stainless steel M6x30	25
F2100180C	Kit TCEI cross screw stainless steel M8x20	25
F2100150C	Kit TC screw ZN M8x45	25
F2100610C	Kit TCEI cross screw stainless steel M12x20	25



CODE	Description	Q.ty
F2200010C	Kit stainless steel nut M4	50
F2200210C	Kit enclosed stainless steel nut M4	50
F2200020C	Kit stainless steel nut M5	50
F2200140C	Kit enclosed stainless steel nut M5	50
F2200030C	Kit stainless steel nut M6	50
F2200035C	Kit enclosed stainless steel nut M6	50
F2200040C	Kit stainless steel nut M8	50
F2200120C	Kit enclosed stainless steel nut M8	50
F2200100C	Kit enclosed nut M5 8,3x8,3	50
F2200090C	Kit enclosed nut M6 8,3x8,3	50
F2200060C	Kit enclosed nut M5 8,3x13	50
F2200070C	Kit enclosed nut M6 8,3x13	50



CODE	Description	Q.ty
F2300010C	Kit washers Ø4 nylon	50
F2300020C	Kit washers Ø5 nylon	50
F2300030C	Kit washers Ø6 nylon	50
F2300040C	Kit washers Ø8 nylon	50
F2300051C	Kit washers Ø4 Stainless steel	50
F2300110C	Kit washers Ø5 Stainless steel	50
F2300090C	Kit washers Ø6 Stainless steel	50
F2300140C	Kit washers Ø8 Stainless steel	50





KMG: Gas springs kit

Gas spring to keep the door open, avoiding accidental closures during operation.



TECHNICAL DETAILS

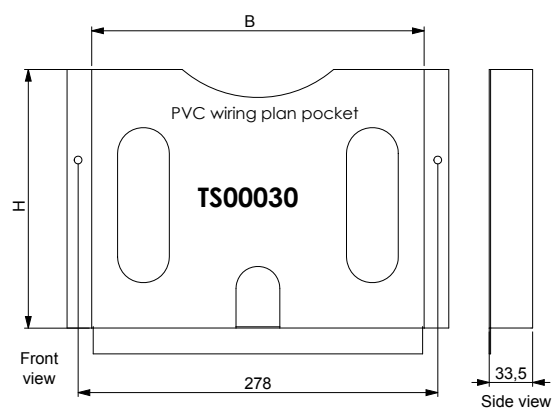
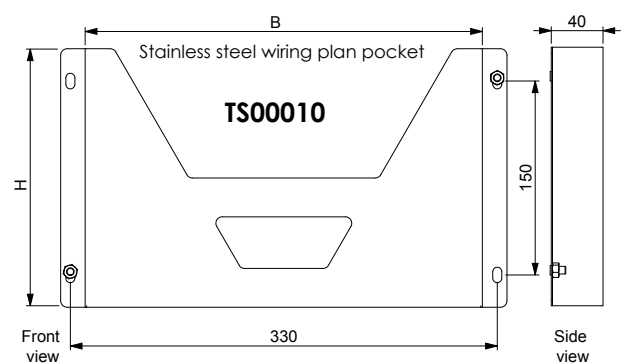
CODE	Description
KMG00005	5 KG gas spring kit
KMG00010	10 KG gas spring kit
KMG00015	15 KG gas spring kit
KMG00020	20 KG gas spring kit

TS: Wiring plan pockets

Internal pockets suitable for A3 / A4 format documents. Available in stainless steel and PVC



Technical drawings





PDP: Feet for plinths

In combination with plinths or floor supports, there are jointed feet with a reinforced polyamide base, 80 mm diameter and M12 - M16 - M20 stainless steel leg; or 60mm diameter made in stainless steel adjustable in two heights. The code PDP00060 is provided with a flange for fixing to the floor.



PDP00060



PDP0050/70



PDP000100/111/112

TECHNICAL DETAILS

CODE	Description
PDP00050	Kit 4 feet Ø 60mm M12 s.st 105 - 165
PDP00060	Kit 4 feet i Ø 60mm M12 st.st H95 - 165 with ground fixing
PDP00070	Kit 4 feet i Ø 60mm M12 st.st.x H140 - 210
PDP00100	Foot M16xH230 with polyamide base
PDP00111	Foot M20xH260 with polyamide base
PDP00112	Foot M12xH85 with polyamide base



PP/PPT: Inspection – Protection windows

Used to assure protection of the controls, the PPT windows are provided with a stainless steel frame, with direct fixing of the PP windows. The doors of the windows have a glued lexan on the door, as well as a sealing gasket and a Yale lock wing type.



DIMENSIONAL TABLE

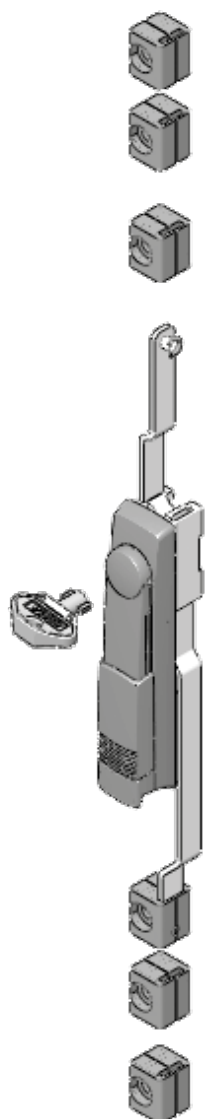
CODE	Description	Dimensions		
		B	H	P
PP300300	Window with direct fastening	300	300	55
PP400400	Window with direct fastening	400	400	55
PP450450	Window with direct fastening	450	450	55
PP500500	Window with direct fastening	500	500	55
PP500750	Window with direct fastening	500	750	55
PP600800	Window with direct fastening	600	800	55
PPT400400	Window with frame	400	400	95
PPT450450	Window with frame	450	450	95
PPT500500	Window with frame	500	500	95
PPT500750	Window with frame	500	750	95
PPT600800	Window with frame	600	800	95

Accessories - spare parts

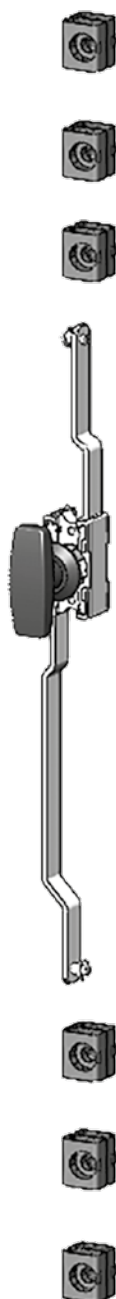


FLEXTEC SPARE PARTS CODES DESCRIPTION	CODE
Kit 4 points closure EMKA double latch.3	F3200940
Inner door closure kit	F3201040
Lock mounted h32 zama chromed	F3200160
Lock mounted h32 AISI 304L	F3203670
Lock mounted h32 AISI 316L	F3200960

F3200940



F3201040



F3200160 - F3203670 - F3200960



USING FLEXTEC SPARE PARTS CODE FOR DIFFERENT SERIES	F3200940	F3201040	F3200160	F3203670	F3200960
Compact series cabinets with serial number having first 2 letters FC	Yes	Yes	-	-	-
Armord series cabinets with serial number having the first 2 letters FR	Yes	Yes	-	-	-
Smart series enclosures with serial number having first 2 letters FQ	-	-	Yes	Yes	Yes



Flextec Srl - Via Villalta, 1
33082 Azzano Decimo (Pn) - Italia
Tel. +39 (0434) 420180 - Fax. +39 (0434) 420110
email: sales@flextec.it - web: www.flextec.it
P.Iva e C.F. 03585150265